



RICOH UNIVERSITY

Learning ♦ Knowledge ♦ Performance



**D009/D011/D012/
D013/D091/D092**
PARTS CATALOG

003316MIU

LANIER RICOH SAVIN



**D009/D011/D012/
D013/D091/D092
PARTS CATALOG**

**LANIER
RICOH
Savin**



RICOH UNIVERSITY

Learning ♦ Knowledge ♦ Performance

D009/D011/D012/D013/D091/D092 PARTS CATALOG

003316MIU

LANIER RICOH SAVIN®

It is the reader's responsibility when discussing the information contained within this document to maintain a level of confidentiality that is in the best interest of Ricoh Americas Corporation and its member companies.

**NO PART OF THIS DOCUMENT MAY BE REPRODUCED IN ANY
FASHION AND DISTRIBUTED WITHOUT THE PRIOR
PERMISSION OF RICOH AMERICAS CORPORATION.**

All product names, domain names or product illustrations, including desktop images, used in this document are trademarks, registered trademarks or the property of their respective companies.

They are used throughout this book in an informational or editorial fashion only and for the benefit of such companies. No such use, or the use of any trade name, or web site is intended to convey endorsement or other affiliation with Ricoh products.

LEGEND (MAINFRAMES)

PRODUCT CODE	COMPANY			
	GESTETNER	LANIER	RICOH	SAVIN
D009	MP 4000B	LD040B	Aficio MP 4000B	9040b
D011	MP 4000	LD040	Aficio MP 4000	9040
D012	MP 5000B	LD050B	Aficio MP 5000B	9050b
D013	MP 5000	LD050	Aficio MP 5000	9050
D091-17	MP 4001SP	LD140SP	Aficio MP 4001SP	9240SP
D092-17	MP 5001SP	LD150SP	Aficio MP 5001SP	9250SP
D091-57	MP 4001G	LD140G	Aficio MP 4001G	9240G
D092-57	MP 5001G	LD150G	Aficio MP 5001G	9250G

LEGEND

(ACCESSORIES)

B408	1000-Sheet Finisher SR790
B679	IEEE1284 Interface Unit Type A
B702	Punch Unit Type 3260
B802	Auto Reverse Document Feeder DF3010
B804	Booklet Finisher SR3020
B805	Finisher SR3030
B826	Bluetooth Interface Unit Type 3245
B829	Copy Data Security Unit Type E
B838	Scanner Accessibility Option Type 4045
D346	Fax Option Type 5000
D351	Paper Feed Unit PB3040
D352	LCIT PB3050
D353	LCIT RT3000
D381	Printer/Scanner Option Type 5000
D386	Bridge Unit BU3030
D389	1 Bin Tray BN3040
G329	Platen Cover Type 3800C
G381	Gigabit Ethernet Type 7300

DOCUMENTATION HISTORY

REV. NO.	DATE	COMMENTS
*	01/2010	Original Printing

D009/D011/D012/D013/D091/D092

TABLE OF CONTENTS

D009/D011/D012/D013/D091/D092 PARTS LOCATION AND LIST

Location of Unit	2
1.Exterior 1 (D009/D011/D012/D013/D091/D092)	11
2.Exterior 2 (D009/D011/D012/D013/D091/D092)	14
3.Operation Panel (D009/D011/D012/D013/D091/D092)	16
4.ARDF Exterior (D009/D011/D012/D013/D091/D092)	18
5.Original Feed 1 (D009/D011/D012/D013/D091/D092)	20
6.Original Feed 2 (D009/D011/D012/D013/D091/D092)	22
7.Original Feed 3 (D009/D011/D012/D013/D091/D092)	24
8.Original Transfer 1 (D009/D011/D012/D013/D091/D092)	26
9.Original Transfer 2 (D009/D011/D012/D013/D091/D092)	28
10.Original Transfer 3 (D009/D011/D012/D013/D091/D092)	30

11.ARDF Drive Section 1 (D009/D011/D012/D013/D091/D092)	32
12.ARDF Drive Section 2 (D009/D011/D012/D013/D091/D092)	34
13.ARDF Electrical Section (D009/D011/D012/D013/D091/D092)	36
14.ARDF Frame Section (D009/D011/D012/D013/D091/D092)	38
15.Scanner Section 1 (D009/D011/D012/D013/D091/D092)	40
16.Scanner Section 2 (D009/D011/D012/D013/D091/D092)	42
17.Scanner Section 3 (D009/D011/D012/D013/D091/D092)	44
18.Scanner Section 4 (D009/D011/D012/D013/D091/D092)	46
19.LD Unit (D009/D011/D012/D013/D091/D092)	48
20.Paper Tray (D009/D011/D012/D013/D091/D092)	50
21.Paper Feed Section (D009/D011/D012/D013/D091/D092)	52
22.By-pass Feed Section 1 (D009/D011/D012/D013/D091/D092)	54

23.By-pass Feed Section 2 (D009/D011/D012/D013/D091/D092)	56
24.Paper Registration (D009/D011/D012/D013/D091/D092)	58
25.Toner Supply Unit (D009/D011/D012/D013/D091/D092)	60
26.PCDU 1 (D009/D011/D012/D013/D091/D092)	62
27.PCDU 2 (D009/D011/D012/D013/D091/D092)	64
28.Transfer Belt Unit 1 (D009/D011/D012/D013/D091/D092)	66
29.Transfer Belt Unit 2 (D009/D011/D012/D013/D091/D092)	68
30.Fusing Unit 1 (D009/D011/D012/D013/D091/D092)	70
31.Fusing Unit 2 (D009/D011/D012/D013/D091/D092)	72
32.Fusing Unit 3 (D009/D011/D012/D013/D091/D092)	74
33.Duplex Unit 1 (D009/D011/D012/D013/D091/D092)	76
34.Duplex Unit 2 (D009/D011/D012/D013/D091/D092)	78

35.Duplex Unit 3 (D009/D011/D012/D013/D091/D092)	80
36.Duplex Unit 4 (D009/D011/D012/D013/D091/D092)	82
37.Duplex Unit 5 (D009/D011/D012/D013/D091/D092)	84
38.Paper Exit Section 1 (D009/D011/D012/D013/D091/D092)	86
39.Paper Exit Section 2 (D009/D011/D012/D013/D091/D092)	88
40.Drive Section 1 (D009/D011/D012/D013/D091/D092)	90
41.Drive Section 2 (D009/D011/D012/D013/D091/D092)	92
42.Drive Section 3 (D009/D011/D012/D013/D091/D092)	94
43.Drive Section 4 (D009/D011/D012/D013/D091/D092)	96
44.Electrical Section 1 (D009/D011/D012/D013/D091/D092)	98
45.Electrical Section 2 (D009/D011/D012/D013/D091/D092)	100
46.Electrical Section 3 (D009/D011/D012/D013/D091/D092)	102

47.Electrical Section 4 (D009/D011/D012/D013/D091/D092).....	104
48.Electrical Section 5 (D009/D011/D012/D013/D091/D092).....	106
49.Frame Section (D009/D011/D012/D013/D091/D092).....	108
50.Controller Board (D009/D011/D012/D013/D091/D092).....	110
51.BICU Board (D009/D011/D012/D013/D091/D092).....	126
52.BICU Board MS (D009/D011/D012/D013/D091/D092).....	138
53.IO Board (D009/D011/D012/D013/D091/D092).....	150
54.Decals and Documents (D009/D011/D012/D013/D091/D092).....	158
55.Special Tools (D009/D011/D012/D013/D091/D092).....	162

**D009/D011/D012/D013 PARTS INDEX
PARTS INDEX 2**

**1000-SHEET FINISHER SR790 B408 PARTS LOCATION
AND LIST**

1.Exterior (B408)	2
2.Transport Section (B408)	4

3.Paper Exit Section 1 (B408)	6
4.Paper Exit Section 2 (B408)	8
5.Vertical Transport (B408)	10
6.Staple Section 1 (B408)	12
7.Staple Section 2 (B408)	14
8.Staple Section 3 (B408)	16
9.Shift Tray Drive (B408).....	18
10.Drive Section (B408)	20
11.Electrical Section (B408)	22
12.Decals And Documents (B408)	24

**1000-SHEET FINISHER SR790 B408 PARTS INDEX
PARTS INDEX 2**
**IEEE1284 INTERFACE UNIT TYPE A B679 PARTS LOCATION
AND LIST**

1.IEEE1284 Interface Board (B679).....	2
--	---

**IEEE1284 INTERFACE UNIT TYPE A B679 PARTS INDEX
PARTS INDEX 2**

PUNCH UNIT TYPE 3260 B702 PARTS LOCATION AND LIST

1.Punch Unit 1 (B702)	2
2.Punch Unit 2 (B702)	4

**PUNCH UNIT TYPE 3260 B702 PARTS INDEX
PARTS INDEX 2**

**AUTO REVERSE DOCUMENT FEEDER DF3010 B802
PARTS LOCATION AND LIST**

1.Exterior (B802)	2
2.Original Feed 1 (B802)	4
3.Original Feed 2 (B802)	6
4.Original Feed 3 (B802)	8
5.Original Transfer 1 (B802)	10
6.Original Transfer 2 (B802)	12
7.Original Transfer 3 (B802)	14
8.Drive Section 1 (B802)	16
9.Drive Section 2 (B802)	18
10.Electrical Section (B802)	20
11.Frame Section (B802)	22
12.Decals and Documents (B802)	24

**AUTO REVERSE DOCUMENT FEEDER DF3010 B802
PARTS INDEX**

PARTS INDEX	2
--------------------------	----------

**BOOKLET FINISHER SR3020 B804 PARTS LOCATION AND
LIST**

1.Exterior (B804)	2
2.Paper Transfer (B804)	4
3.Shift Transfer Section 1 (B804)	6
4.Shift Transfer Section 2 (B804)	8
5.Shift Transfer Section 3 (B804)	10

6.Paper Exit 1 (B804)	12
7.Paper Exit 2 (B804)	14
8.Staple Transfer Section 1 (B804)	16
9.Staple Transfer Section 2 (B804)	18
10.Staple Tray 1 (B804)	20
11.Staple Tray 2 (B804)	22
12.Staple Tray 3 (B804)	24
13.Staple Tray 4 (B804)	26
14.Staple Tray 5 (B804)	28
15.Staple Tray 6 (B804)	30
16.Paper fold Section 1 (B804)	32
17.Paper fold Section 2 (B804)	34
18.Paper fold Section 3 (B804)	36
19.Shift Tray (B804)	38
20.Drive Section 1 (B804)	40
21.Drive Section 2 (B804)	42
22.Drive Section 3 (B804)	44
23.Electrical Section (B804)	46
24.Frame Section (B804)	48
25.Decals and Documents (B804)	50

**BOOKLET FINISHER SR3020 B804 PARTS INDEX
PARTS INDEX**

2

FINISHER SR3030 B805 PARTS LOCATION AND LIST

1.Exterior (B805)	2
2.Paper Transfer (B805)	4
3.Shift Transfer Section 1 (B805).....	6
4.Shift Transfer Section 2 (B805).....	8
5.Shift Transfer Section 3 (B805).....	10
6.Paper Exit 1 (B805)	12
7.Paper Exit 2 (B805)	14
8.Staple Transfer Section 1 (B805).....	16
9.Staple Transfer Section 2 (B805).....	18
10.Staple Tray 1 (B805)	20
11.Staple Tray 2 (B805)	22
12.Staple Tray 3 (B805)	24
13.Staple Tray 4 (B805)	26
14.Shift Tray (B805)	28
15.Drive Section 1 (B805)	30
16.Drive Section 2 (B805)	32
17.Drive Section 3 (B805)	34
18.Electrical Section (B805).....	36
19.Frame Section (B805)	38
20.Decals and Documents (B805)	40

FINISHER SR3030 B805 PARTS INDEX	
PARTS INDEX	2

BLUETOOTH INTERFACE UNIT TYPE 3245 B826 PARTS LOCATION AND LIST

1.Bluetooth Interface Unit (B826)	2
---	---

BLUETOOTH INTERFACE UNIT TYPE 3245 B826 PARTS INDEX

PARTS INDEX	2
--------------------------	----------

COPY DATA SECURITY UNIT TYPE E B829 PARTS LOCATION AND LIST

1.Copy Data Security Unit (B829)	2
--	---

COPY DATA SECURITY UNIT TYPE E B829 PARTS INDEX PARTS INDEX

PARTS INDEX	2
--------------------------	----------

SCANNER ACCESSIBILITY OPTION TYPE 4045 B838 PARTS LOCATION AND LIST

1.Scanner Accessibility Option (B838).....	2
--	---

SCANNER ACCESSIBILITY OPTION TYPE 4045 B838 PARTS INDEX

PARTS INDEX	2
--------------------------	----------

FAX OPTION TYPE 5000 D346 PARTS LOCATION AND LIST

1.Fax Option (D346)	2
2.G3 Unit (D346)	4

FAX OPTION TYPE 5000 D346 PARTS INDEX	
PARTS INDEX	2

PAPER FEED UNIT PB3040 D351 PARTS LOCATION AND LIST

1.Exterior (D351).....	2
2.Frame Section (D351).....	4
3.Paper Tray (D351)	6
4.Paper Feed Section (D351)	8
5.Electrical Section (D351).....	10
6.Drive Section (D351).....	12

PAPER FEED UNIT PB3040 D351 PARTS INDEX	
PARTS INDEX	2

LCIT PB3050 D352 PARTS LOCATION AND LIST

1.Exterior 1 (D352).....	2
2.Exterior 2 (D352).....	4
3.Right Tray 1 (D352).....	6
4.Right Tray 2 (D352).....	8
5.Left Tray (D352).....	10
6.Paper Feed Section (D352)	12
7.Electrical Section (D352).....	14
8.Drive Section (D352).....	16

LCIT PB3050 D352 PARTS INDEX	
PARTS INDEX	2

LCIT RT3000 D353 PARTS LOCATION AND LIST

1.Exterior (D353).....	2
2.Paper Feed Section (D353)	4
3.Paper Tray (D353)	6
4.Electrical Section (D353).....	8
5.Frame (D353).....	10

LCIT RT3000 D353 PARTS INDEX	
PARTS INDEX	2

PRINTER/SCANNER OPTION TYPE 5000 D381 PARTS LOCATION AND LIST

1.Printer/Scanner Option 1 (D381)	2
2.Printer/Scanner Option 2 (B829/D362/D377/D381)	4

PRINTER/SCANNER OPTION TYPE 5000 D381 PARTS INDEX	
PARTS INDEX	2

BRIDGE UNIT BU3030 D386 PARTS LOCATION AND LIST

1.Bridge Unit 1 (D386)..... 2
2.Bridge Unit 2 (D386)..... 4

BRIDGE UNIT BU3030 D386 PARTS INDEX

PARTS INDEX 2

1 BIN TRAY BN3040 D389 PARTS LOCATION AND LIST

1.1Bin Tray (D389) 2

1 BIN TRAY BN3040 D389 PARTS INDEX

PARTS INDEX 2

PLATEN COVER TYPE 3800C G329 PARTS LOCATION AND LIST

1.Platen Cover (G329)..... 2

PLATEN COVER TYPE 3800C G329 PARTS INDEX

PARTS INDEX 2

GIGABIT ETHERNET TYPE 7300 G381 PARTS LOCATION AND LIST

1.Gigabit Ethernet Type 7300 (G381) 2

GIGABIT ETHERNET TYPE 7300 G381 PARTS INDEX

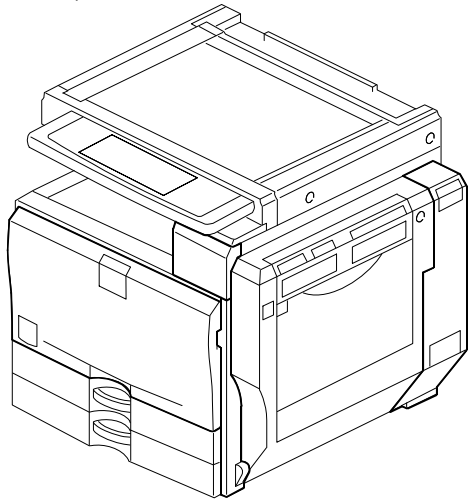
PARTS INDEX 2

**D009/D011/D012/D013/D091/D092
PARTS LOCATION AND LIST**

This section shows you the part numbers and descriptions used on this machine.

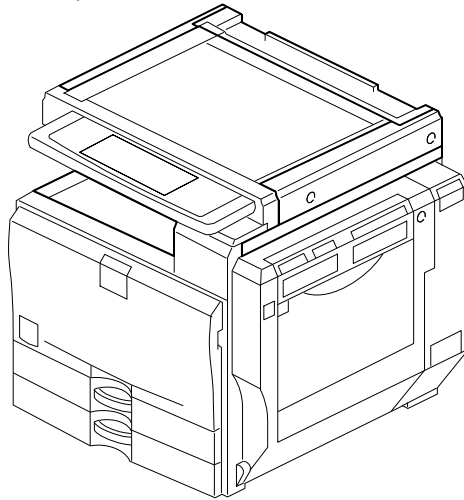
LOCATIONS OF UNITS

1. Exterior 1
(D009/D011/D012/D013/D091/D092)



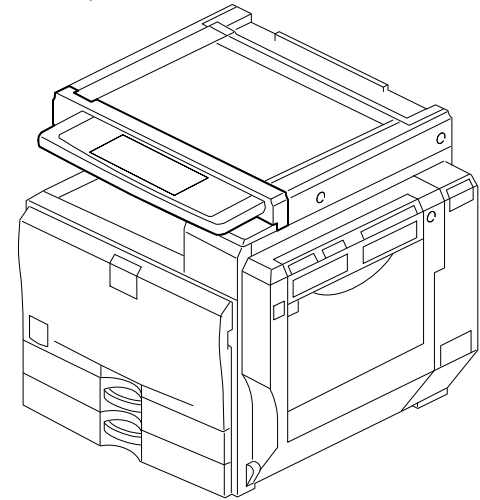
See Page 13

2. Exterior 2
(D009/D011/D012/D013/D091/D092)



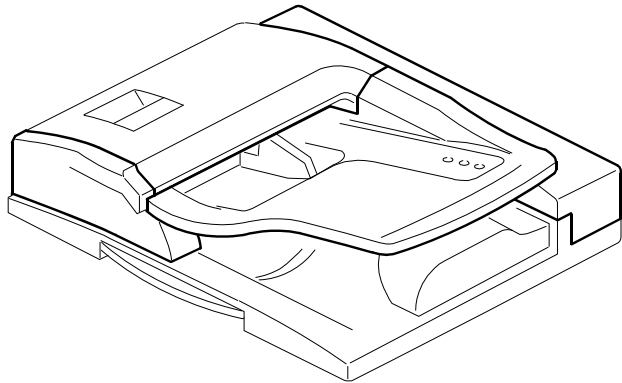
See Page 15

3. Operation Panel
(D009/D011/D012/D013/D091/D092)



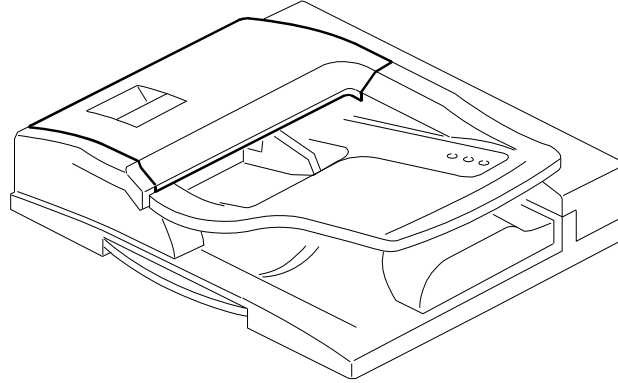
See Page 17

4. ARDF Exterior
(D009/D011/D012/D013/D091/D092)



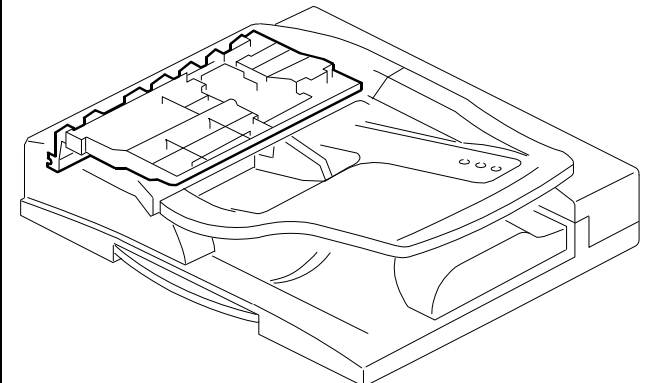
See Page 19

5. Original Feed 1
(D009/D011/D012/D013/D091/D092)



See Page 21

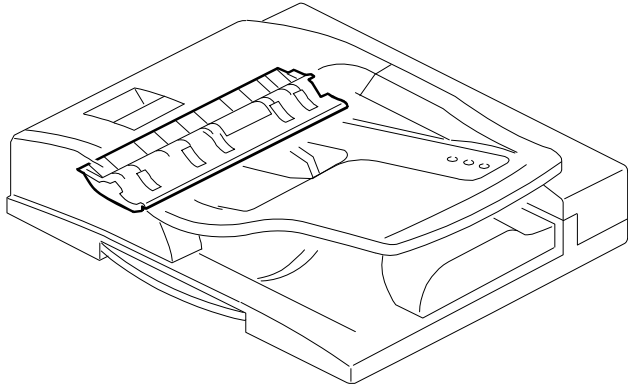
6. Original Feed 2
(D009/D011/D012/D013/D091/D092)



See Page 23

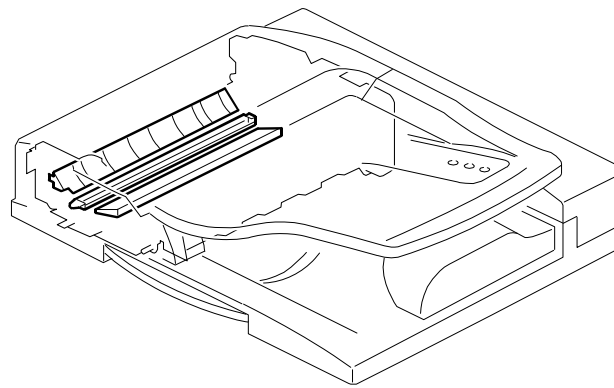
LOCATIONS OF UNITS

7. Original Feed 3
(D009/D011/D012/D013/D091/D092)



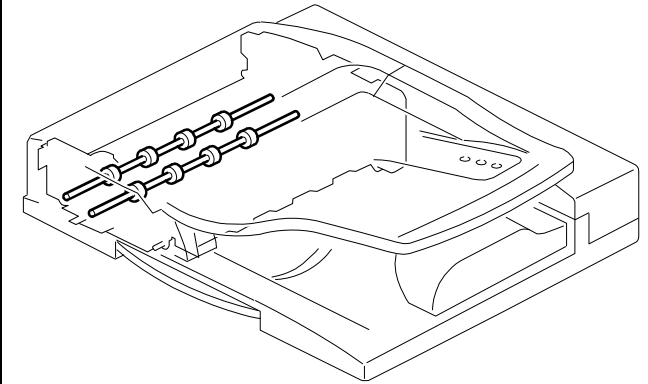
See Page 25

8. Original Transfer 1
(D009/D011/D012/D013/D091/D092)



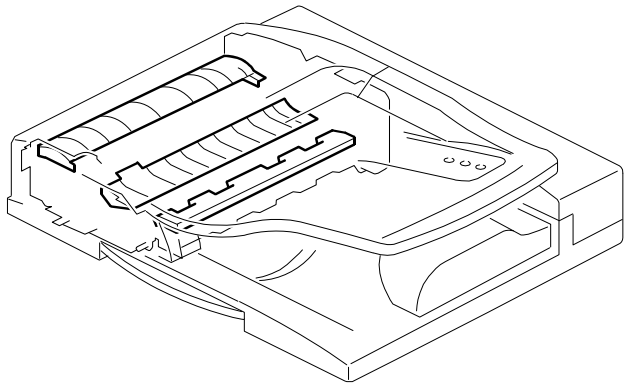
See Page 27

9. Original Transfer 2
(D009/D011/D012/D013/D091/D092)



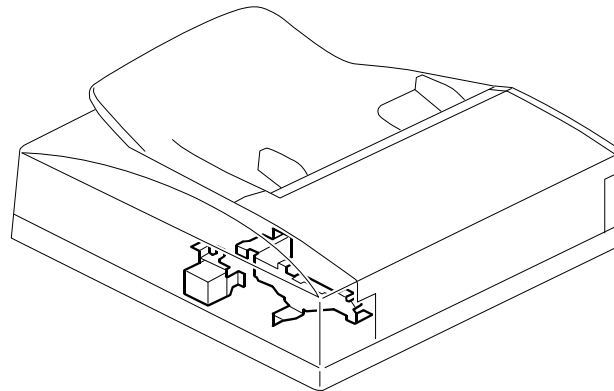
See Page 29

10. Original Transfer 3
(D009/D011/D012/D013/D091/D092)



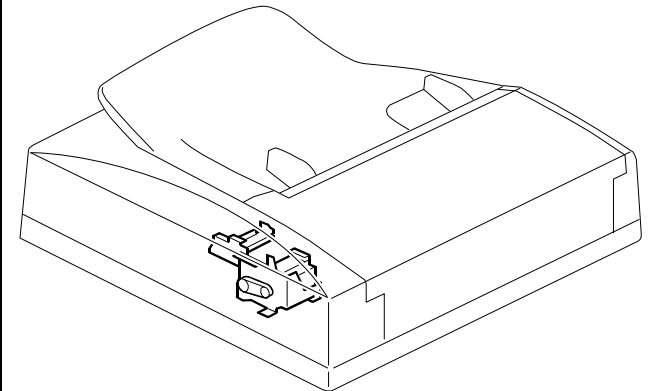
See Page 31

11. ARDF Drive Section 1
(D009/D011/D012/D013/D091/D092)



See Page 33

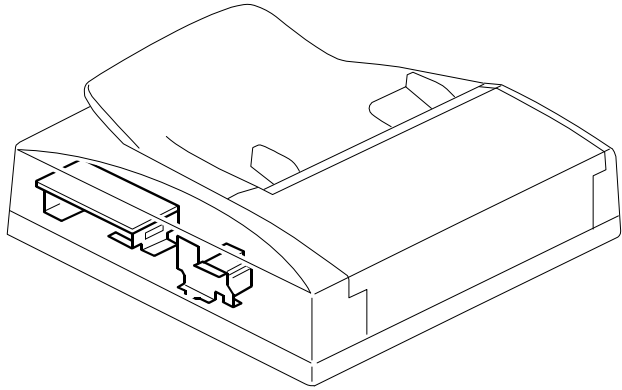
12. ARDF Drive Section 2
(D009/D011/D012/D013/D091/D092)



See Page 35

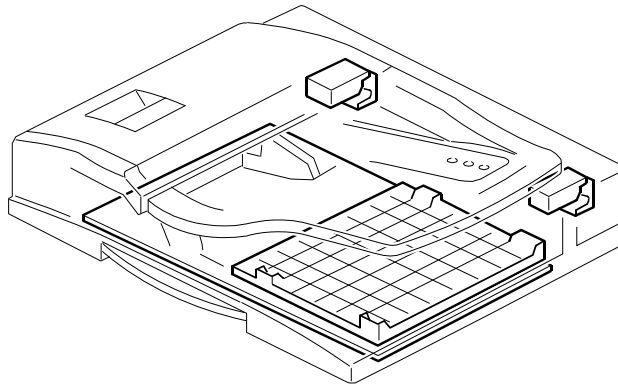
LOCATIONS OF UNITS

13. ARDF Electrical Section
(D009/D011/D012/D013/D091/D092)



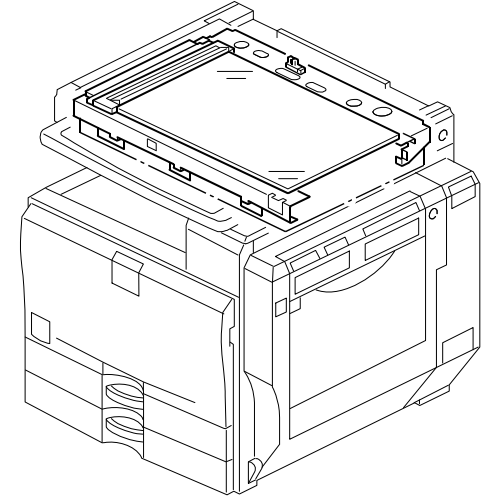
See Page 37

14. ARDF Frame Section
(D009/D011/D012/D013/D091/D092)



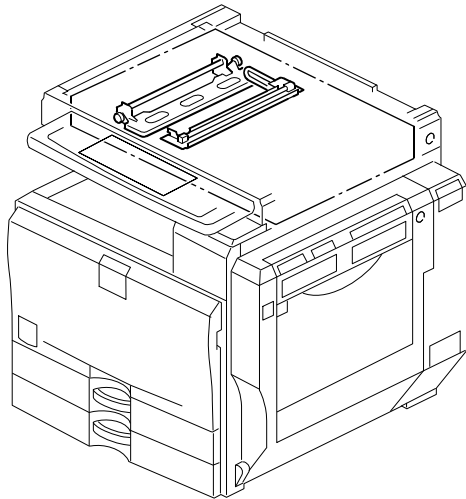
See Page 39

15. Scanner Section 1
(D009/D011/D012/D013/D091/D092)



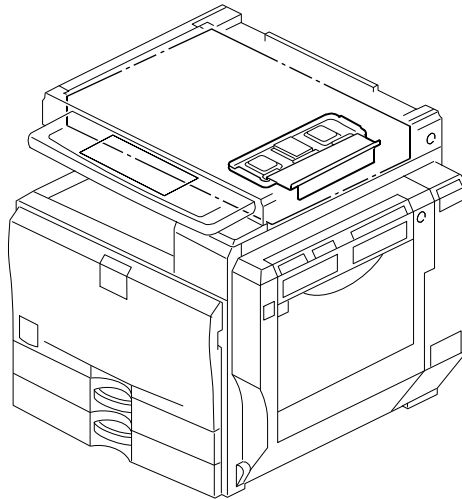
See Page 41

16. Scanner Section 2
(D009/D011/D012/D013/D091/D092)



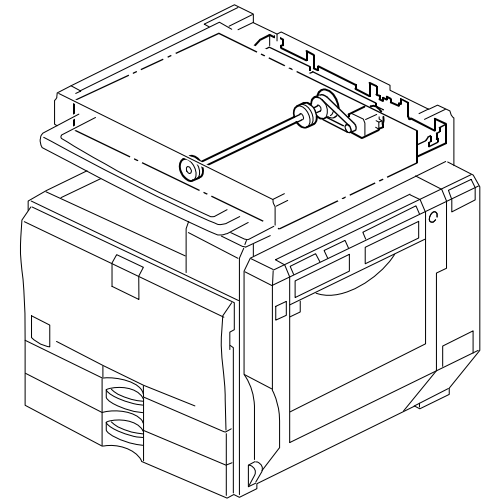
See Page 43

17. Scanner Section 3
(D009/D011/D012/D013/D091/D092)



See Page 45

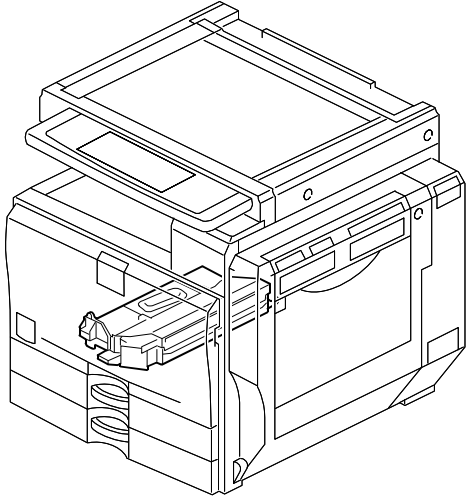
18. Scanner Section 4
(D009/D011/D012/D013/D091/D092)



See Page 47

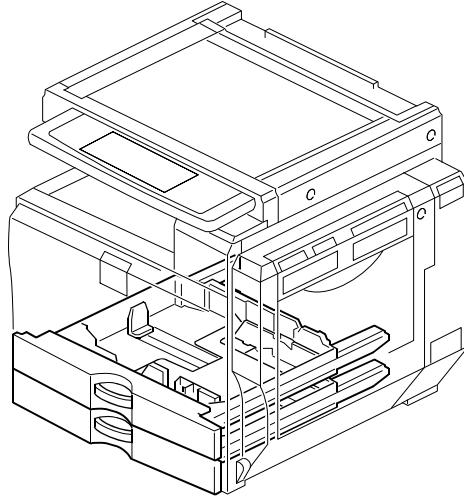
LOCATIONS OF UNITS

19. LD Unit
(D009/D011/D012/D013/D091/D092)



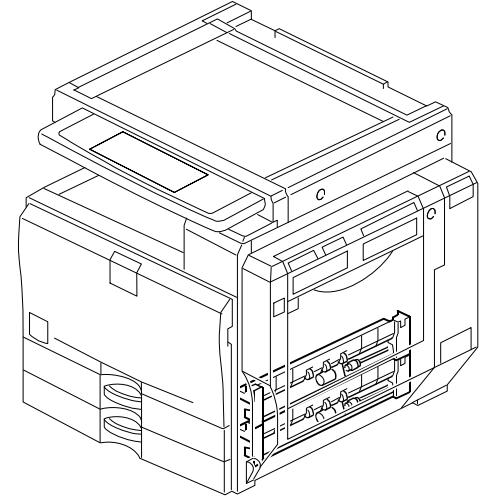
See Page 49

20. Paper Tray
(D009/D011/D012/D013/D091/D092)



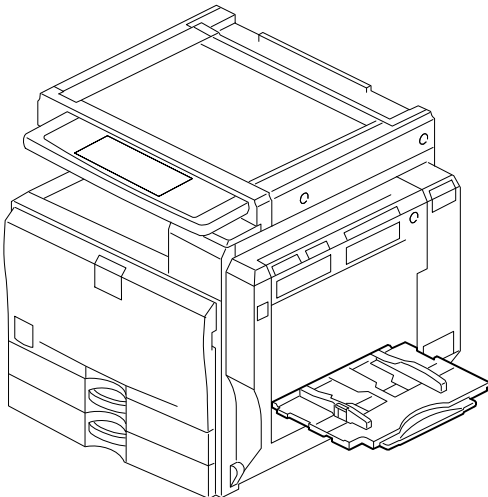
See Page 51

21. Paper Feed Section
(D009/D011/D012/D013/D091/D092)



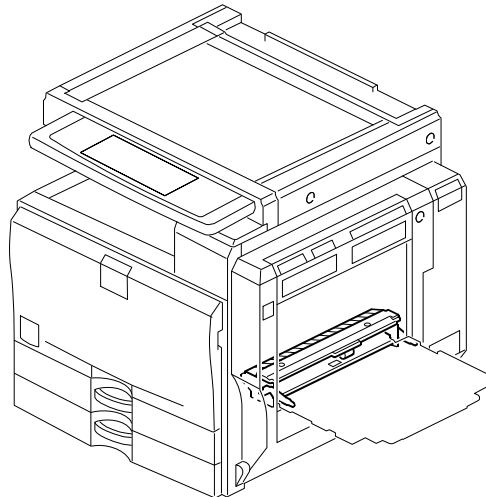
See Page 53

22. By-pass Feed Section 1
(D009/D011/D012/D013/D091/D092)



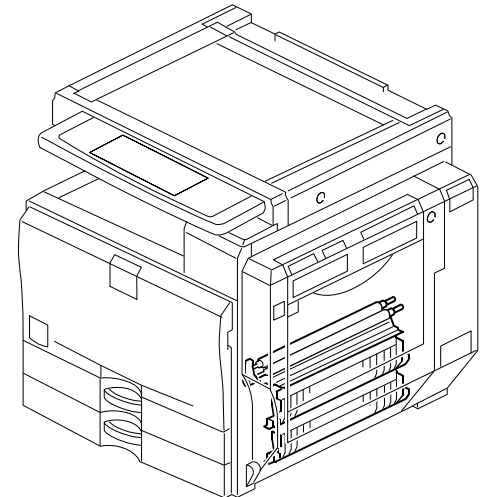
See Page 55

23. By-pass Feed Section 2
(D009/D011/D012/D013/D091/D092)



See Page 57

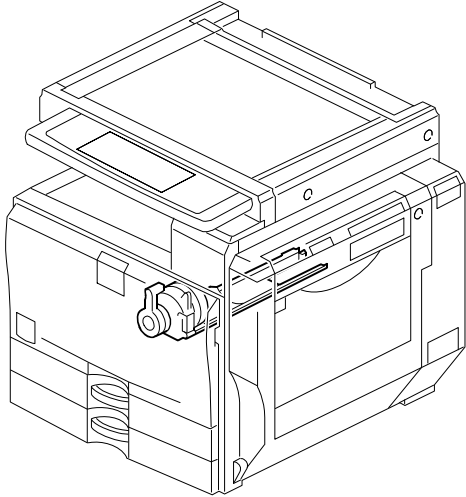
24. Paper Registration
(D009/D011/D012/D013/D091/D092)



See Page 59

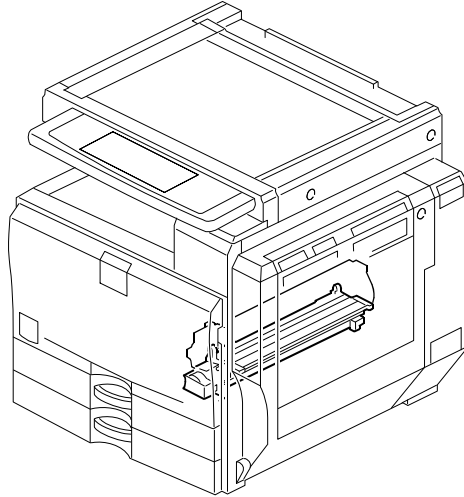
LOCATIONS OF UNITS

25. Toner Supply Unit
(D009/D011/D012/D013/D091/D092)



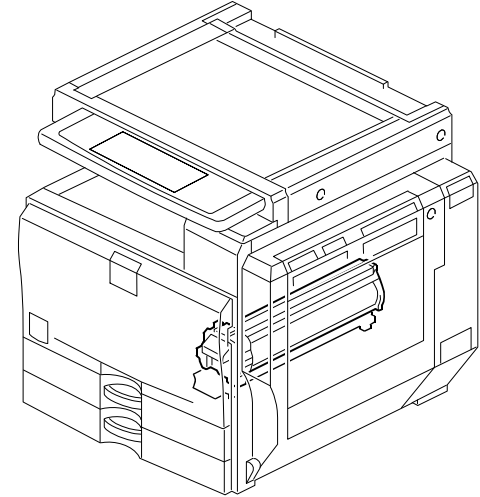
See Page 61

26. PCDU 1
(D009/D011/D012/D013/D091/D092)



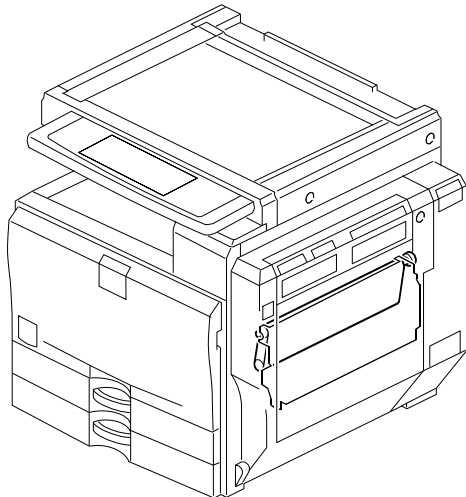
See Page 63

27. PCDU 2
(D009/D011/D012/D013/D091/D092)



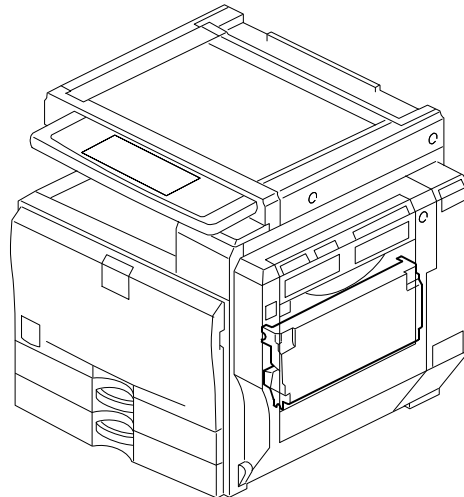
See Page 65

28. Transfer Belt Unit 1
(D009/D011/D012/D013/D091/D092)



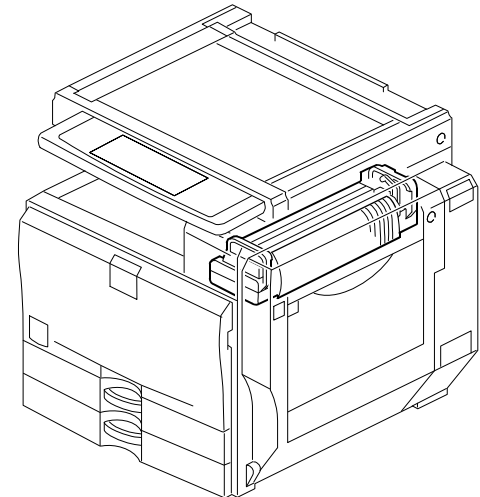
See Page 67

29. Transfer Belt Unit 2
(D009/D011/D012/D013/D091/D092)



See Page 69

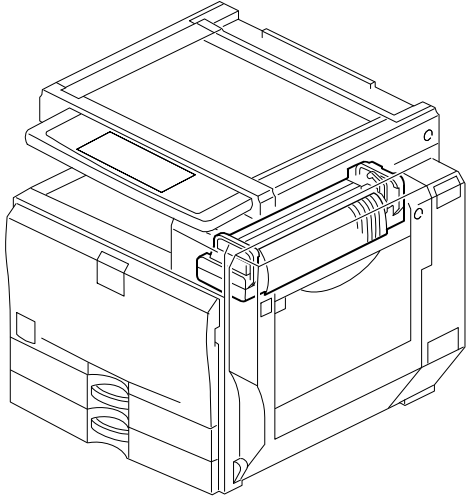
30. Fusing Unit 1
(D009/D011/D012/D013/D091/D092)



See Page 71

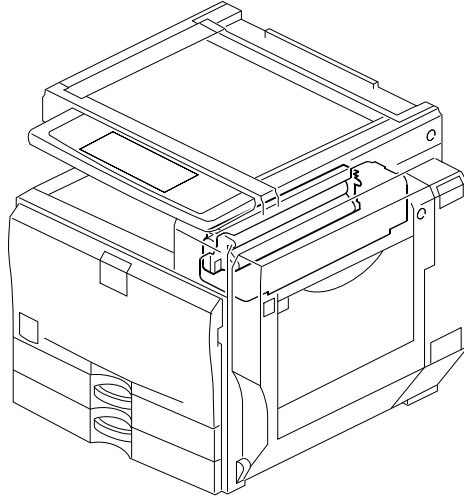
LOCATIONS OF UNITS

31. Fusing Unit 2
(D009/D011/D012/D013/D091/D092)



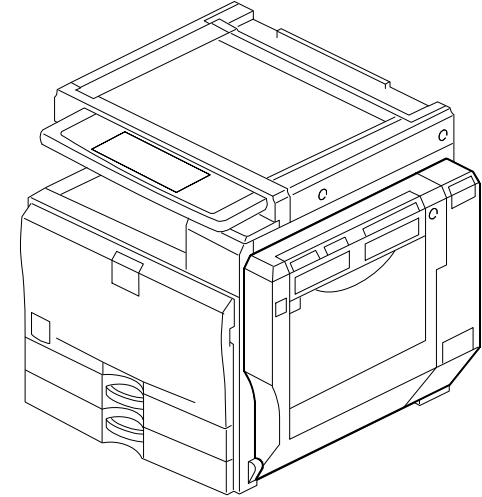
See Page 73

32. Fusing Unit 3
(D009/D011/D012/D013/D091/D092)



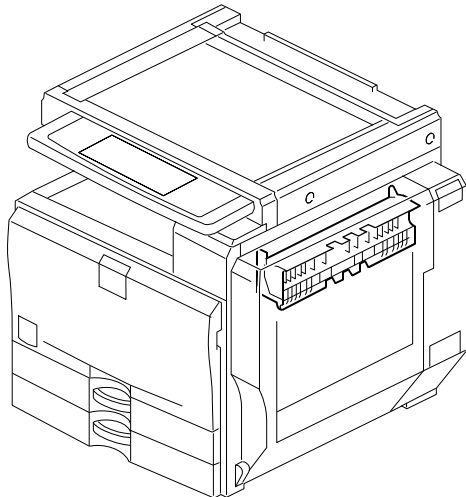
See Page 75

33. Duplex Unit 1
(D009/D011/D012/D013/D091/D092)



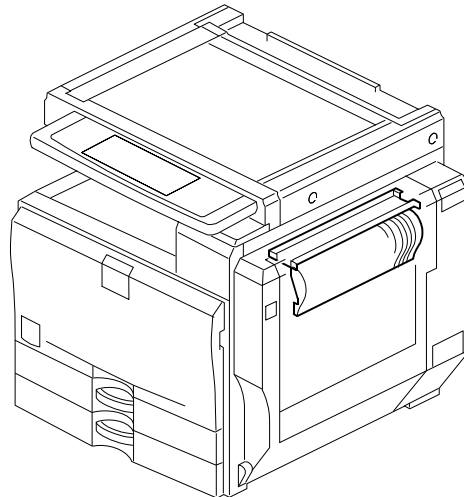
See Page 77

34. Duplex Unit 2
(D009/D011/D012/D013/D091/D092)



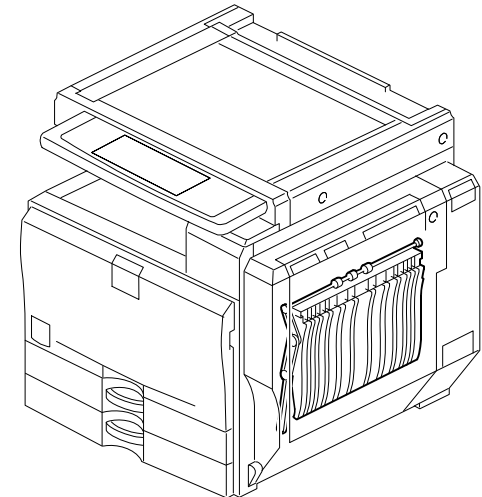
See Page 79

35. Duplex Unit 3
(D009/D011/D012/D013/D091/D092)



See Page 81

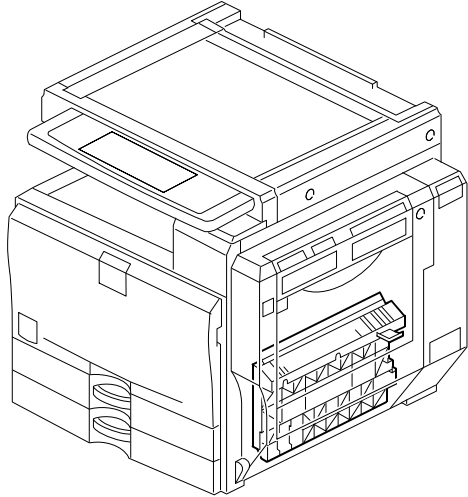
36. Duplex Unit 4
(D009/D011/D012/D013/D091/D092)



See Page 83

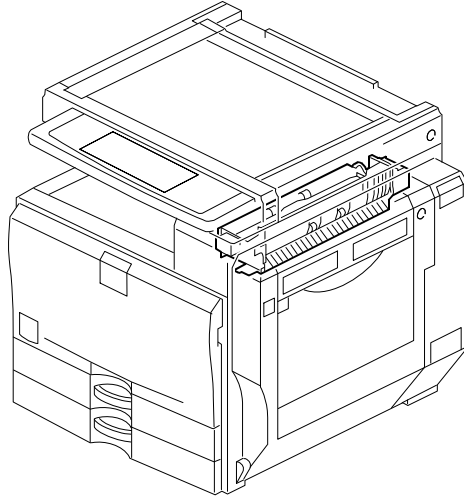
LOCATIONS OF UNITS

37. Duplex Unit 5
(D009/D011/D012/D013/D091/D092)



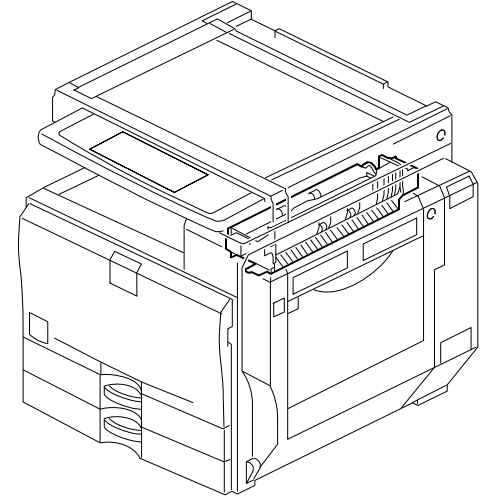
See Page 85

38. Paper Exit Section 1
(D009/D011/D012/D013/D091/D092)



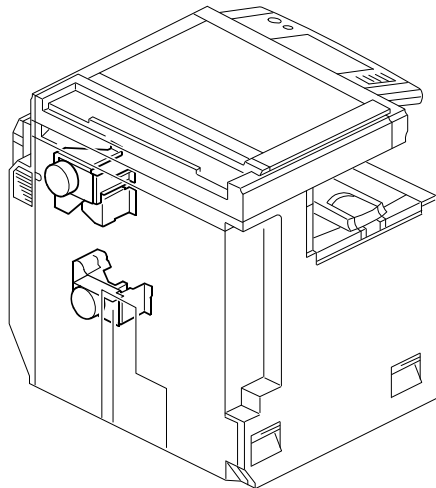
See Page 87

39. Paper Exit Section 2
(D009/D011/D012/D013/D091/D092)



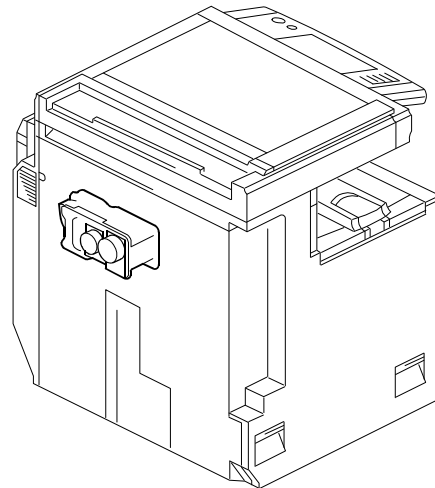
See Page 89

40. Drive Section 1
(D009/D011/D012/D013/D091/D092)



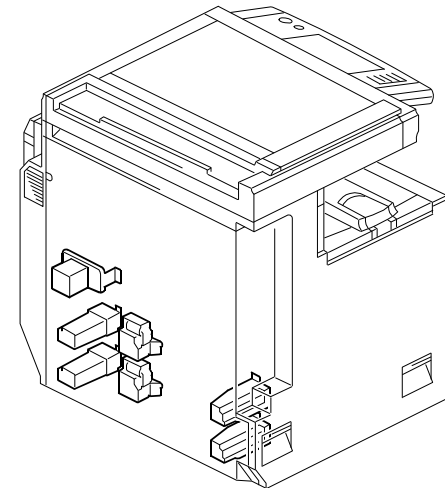
See Page 91

41. Drive Section 2
(D009/D011/D012/D013/D091/D092)



See Page 93

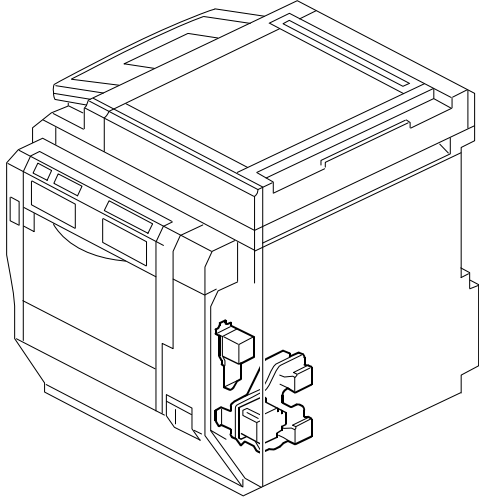
42. Drive Section 3
(D009/D011/D012/D013/D091/D092)



See Page 95

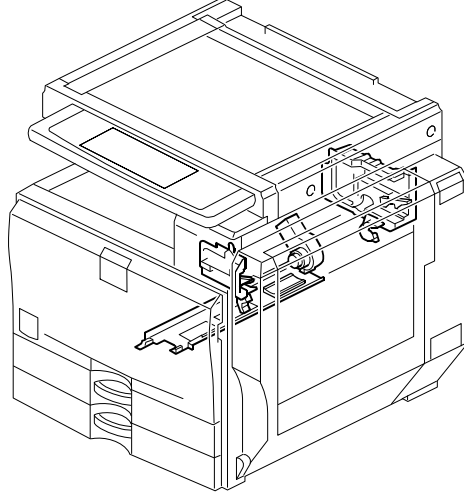
LOCATIONS OF UNITS

43. Drive Section 4
(D009/D011/D012/D013/D091/D092)



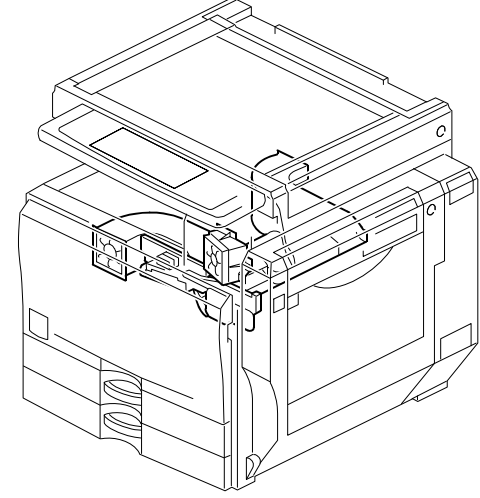
See Page 97

44. Electrical Section 1
(D009/D011/D012/D013/D091/D092)



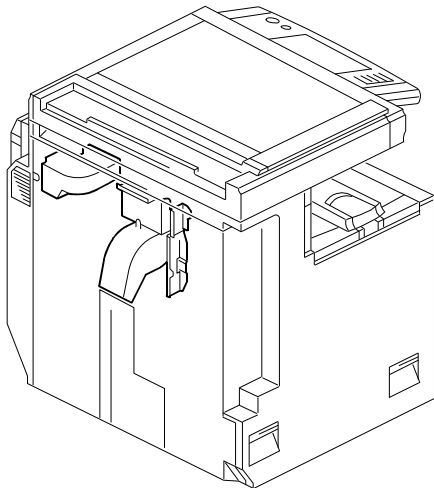
See Page 99

45. Electrical Section 2
(D009/D011/D012/D013/D091/D092)



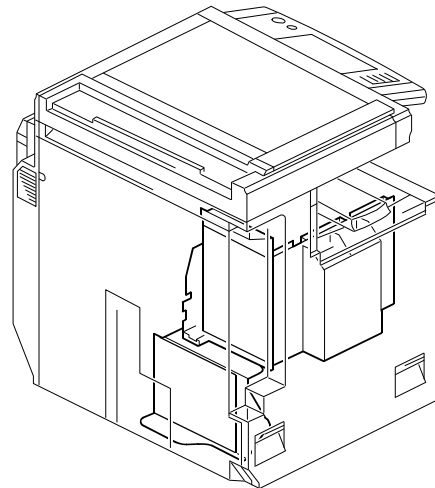
See Page 101

46. Electrical Section 3
(D009/D011/D012/D013/D091/D092)



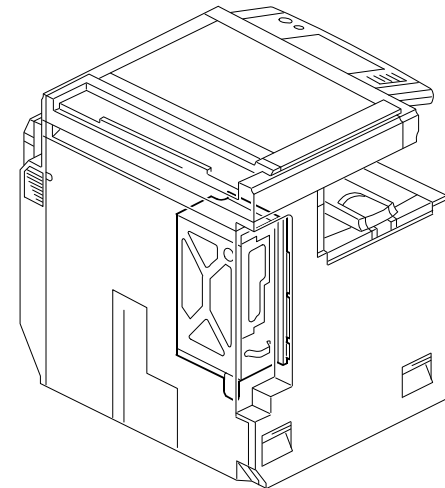
See Page 103

47. Electrical Section 4
(D009/D011/D012/D013/D091/D092)



See Page 105

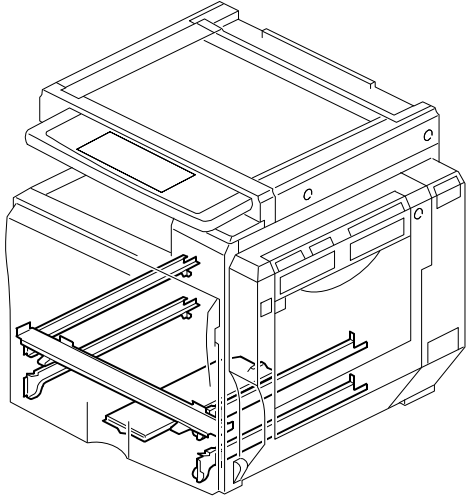
48. Electrical Section 5
(D009/D011/D012/D013/D091/D092)



See Page 107

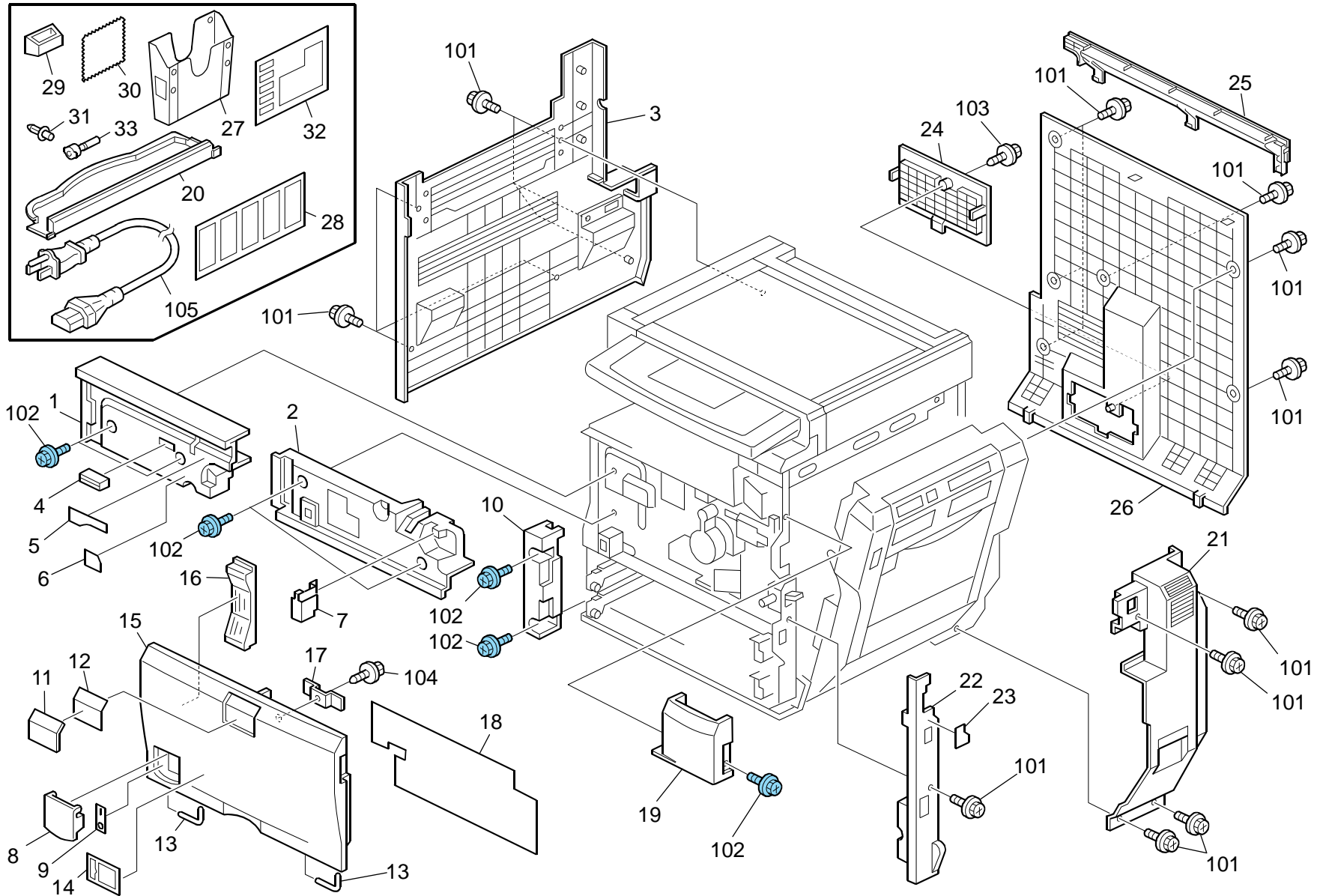
LOCATIONS OF UNITS

49. Frame Section
(D009/D011/D012/D013/D091/D092)



See Page 109

1.Exterior 1 (D009/D011/D012/D013/D091/D092)



1.Exterior 1 (D009/D011/D012/D013/D091/D092)

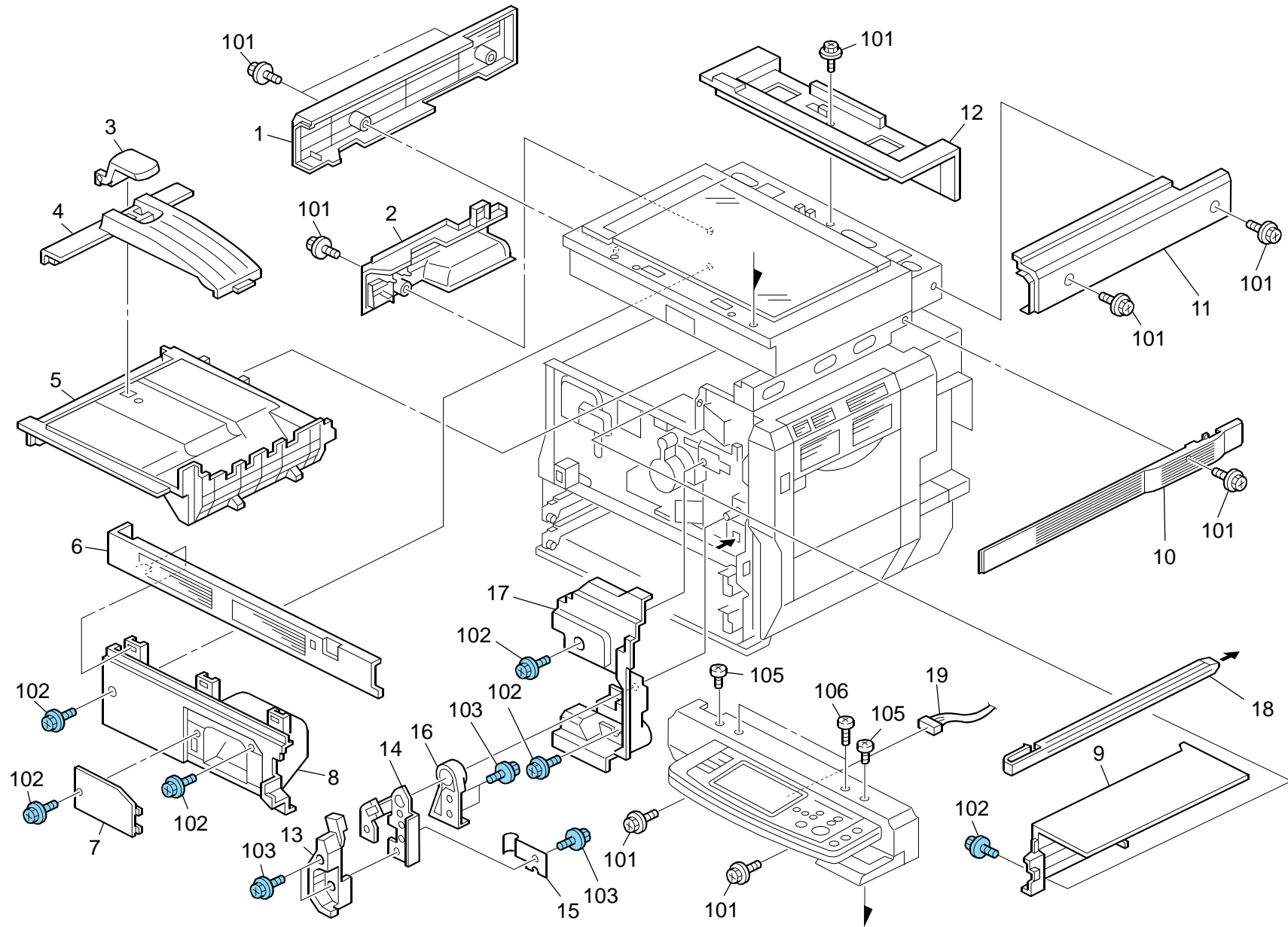
Index No.	Part No.	Description	Q'ty Per Assembly
1	D009 1241	Inner Cover: Upper: Left: DOM	1
1	D012 1241	Inner Cover - Upper Left	1
2	D009 1244	Inner Cover - Middle	1
3	D012 1281	Left Cover	1
3	D013 1281	Cover: Left: NA	1
4	AG07 1012	Magnet Catch: Ass'y	1
5	D009 3268	Decal - Lock Toner Bottle	1
6	D009 3269	Decal - Release Toner Bottle	1
7	B004 1325	Cover - Shield Glass	1
8	B223 1255	Cover - Main Switch	1
9	B238 1372	Decal - Main Switch(On-Off)	1
9	D011 1250	Decal: Main Switch: On-Off	1
9	D011 1251	Decal: Main Switch: O-I	1
10	D009 1242	Inner Cover - Left	1
11	B223 1253	EMBLEM Cover	1
12	D009 6192	Sheet: EMBLEM: RIC	1
12	D009 6193	Sheet: EMBLEM: SVN	1
12	D009 6194	Sheet: EMBLEM: GES: NA	1
12	D009 6195	Sheet: EMBLEM: LAN: NA	1
12	D009 6492	Sheet: EMBLEM: NSA	1
12	D009 6493	Sheet: EMBLEM: REX	1
12	D009 6494	Sheet: EMBLEM: GES: EU	1
12	D009 6495	Sheet: EMBLEM: LAN: EU	1
12	D009 6692	Sheet: EMBLEM: INF	1
12	D011 6192	Sheet: EMBLEM: RIC	1
12	D011 6193	Sheet: EMBLEM: SVN	1
12	D011 6194	Sheet: EMBLEM: GES: NA	1
12	D011 6195	Sheet: EMBLEM: LAN: NA	1
12	D011 6492	Sheet: EMBLEM: NSA	1
12	D011 6493	Sheet: EMBLEM: REX	1
12	D011 6494	Sheet: EMBLEM: GES: EU	1
12	D011 6495	Sheet: EMBLEM: LAN: EU	1
12	D011 6692	Sheet: EMBLEM: INF	1
12	D012 6192	Sheet: EMBLEM: RIC	1

Index No.	Part No.	Description	Q'ty Per Assembly
12	D009 6292	Sheet: EMBLEM: RIC: 40SP Added MB10	1
12	D012 6193	Sheet: EMBLEM: SVN	1
12	D012 6194	Sheet: EMBLEM: GES: NA	1
12	D012 6195	Sheet: EMBLEM: LAN: NA	1
12	D012 6292	Sheet: EMBLEM: RIC: 50SP Added MB10	1
12	D012 6492	Sheet: EMBLEM: NSA	1
12	D012 6493	Sheet: EMBLEM: REX	1
12	D012 6494	Sheet: EMBLEM: GES: EU	1
12	D012 6495	Sheet: EMBLEM: LAN: EU	1
12	D012 6692	Sheet: EMBLEM: INF	1
12	D013 6192	Sheet: EMBLEM: RIC	1
12	D013 6193	Sheet: EMBLEM: SVN	1
12	D013 6194	Sheet: EMBLEM: GES: NA	1
12	D013 6195	Sheet: EMBLEM: LAN: NA	1
12	D013 6492	Sheet: EMBLEM: NSA	1
12	D013 6493	Sheet: EMBLEM: REX	1
12	D013 6494	Sheet: EMBLEM: GES: EU	1
12	D013 6495	Sheet: EMBLEM: LAN: EU	1
12	D013 6692	Sheet: EMBLEM: AL-C1CCS: INF	1
12	D091 6192	Sheet: EMBLEM: 40: RIC (D091)	1
12	D091 6193	Sheet: EMBLEM: 40: SVN (D091)	1
12	D091 6194	Sheet: EMBLEM: 40: GES: NA (D091)	1
12	D091 6195	Sheet: EMBLEM: 40: LAN: NA (D091)	1
12	D091 6492	Sheet: EMBLEM: 40: NSA (D091)	1
12	D091 6493	Sheet: EMBLEM: 40: REX (D091)	1
13	D091 6494	Sheet: EMBLEM: 40: GES: EU (D091)	1
13	D091 6495	Sheet: EMBLEM: 40: LAN: EU (D091)	1
13	D091 6692	Sheet: EMBLEM: 40: INF (D091)	1
13	D092 6192	Sheet: EMBLEM: 50: RIC (D092)	1
13	D092 6193	Sheet: EMBLEM: 50: SVN (D092)	1
13	D092 6194	Sheet: EMBLEM: 50: GES: NA (D092)	1
13	D092 6195	Sheet: EMBLEM: 50: LAN: NA (D092)	1
13	D092 6492	Sheet: EMBLEM: 50: NSA (D092)	1

Index No.	Part No.	Description	Q'ty Per Assembly
13	D092 6493	Sheet: EMBLEM: 50: REX (D092)	1
13	D092 6494	Sheet: EMBLEM: 50: GES: EU (D092)	1
13	D092 6495	Sheet: EMBLEM: 50: LAN: EU (D092)	1
13	D092 6692	Sheet: EMBLEM: 50: INF (D092)	1
13	G020 1332	Hinge - Front Cover	2
14	B132 1573	Decal - Power Source: Off	1
15	D012 1251	Front Cover	1
16	B223 1246	Guide Plate: Scanner	1
17	B024 1264	Magnet Catch	1
18	D009 1256	Sheet - Misfeed Removal	1
19	D012 1264	Front Right Cover	1
20	B237 1380	Cover - Right Base EU	1
21	D009 1272	Right Cover - Rear	1
22	D012 1271	Right Cover - Front	1
22	D013 1271	Cover: Right: Front: NA	1
23	D009 2627	Decal - Misfeed Removal B1	1
24	D012 1293	Cap - Rear Cover EU	1
25	D012 1292	Rear Cover - Upper	1
26	D012 1291	Rear Cover	1
27	B223 1248	Operating Instructions Holder	1
28	B652 2379	Decal: Caution: Original: 5-Lang	1
29	B065 1371	Cloth Holder	1
30	B065 1374	Cloth - DF Exposure Glass	1
31	G038 1299	Rivet - 5	1
32	B238 2524	Decal - Paper Size	1
33	H511 5007	Stamp	1

Index No.	Part No.	Description	Q'ty Per Assembly
101	0451 3008N	Tapping Screw - M3x8	
102	0454 3008Q	Tapping Screw: 3x8	
103	0450 3012N	Tapping Screw: 3x12	
104	0450 3010N	Tapping Screw - M3x10	
105	1150 0438	Power Supply Code: AC125V 15A NA	
105	1150 0377	Power Supply Code: 250V: 10A: EU	

2.Exterior 2 (D009/D011/D012/D013/D091/D092)



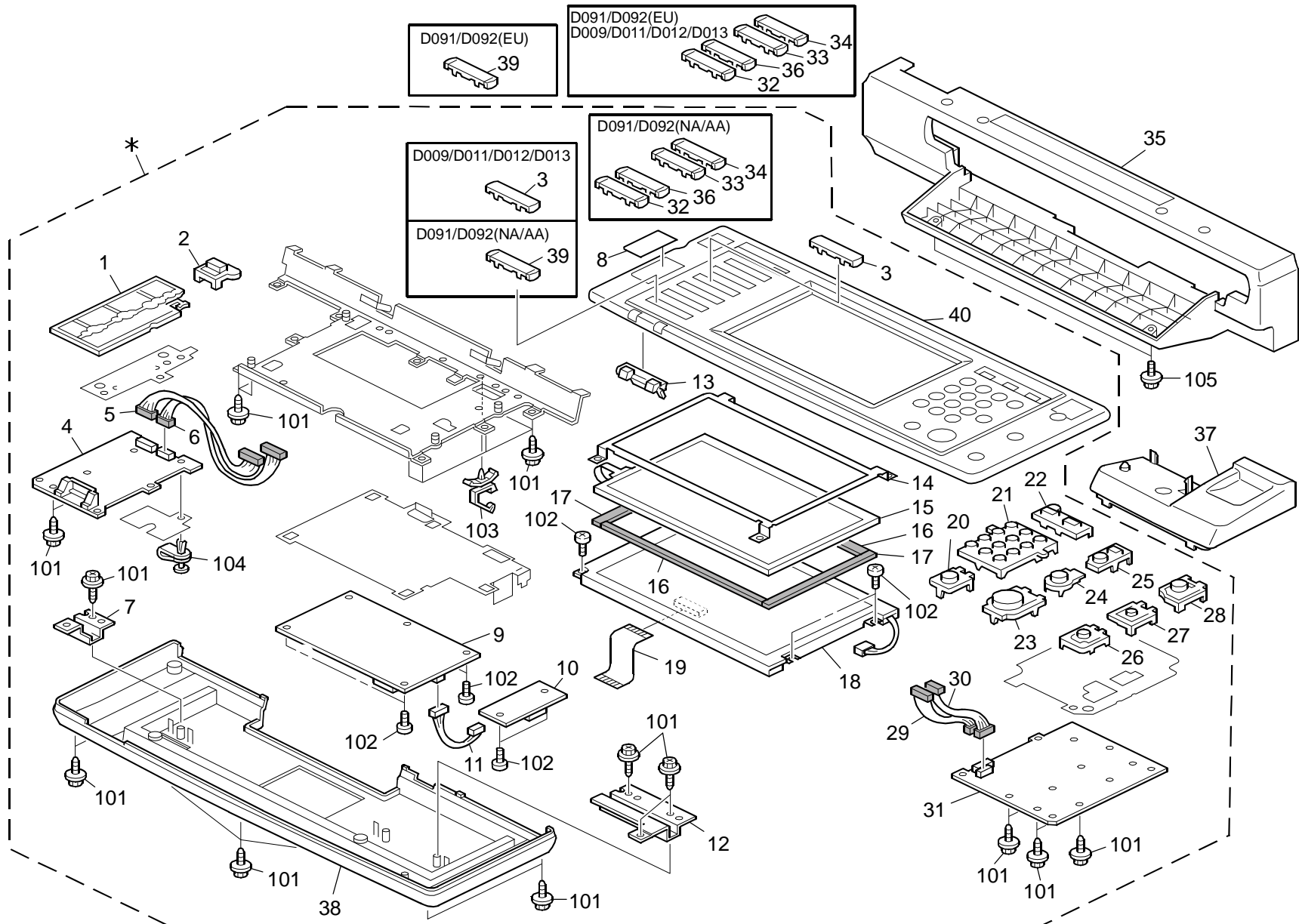
2.Exterior 2 (D009/D011/D012/D013/D091/D092)

Index No.	Part No.	Description	Q'ty Per Assembly
1	B223 1818	Cover: Scanner: Left	1
1	B222 1818	Cover: Scanner: Left: EU	1
2	D009 1282	Cover: Left: Upper: DOM	1
2	D012 1282	Left Cover - Upper	1
3	B223 4487	Exit End Fence	1
4	B223 4486	Exit Tray	1
5	D009 1260	Upper Cover	1
6	B222 1262	Cover: Inner Back: Upper: EU	1
7	B224 1263	Cover: Inner Back: Middle: EU	1
8	B223 1261	Cover: Inner Back	1
9	B223 1266	Cover: Paper Exit Unit: Upper	1
10	B223 1273	Cover: Right: Upper Middle	1
11	B223 1819	Cover: Scanner: Right	1
11	B222 1819	Cover: Scanner: Right: EU	1
12	B223 1820	Cover: Scanner: Rear	1
12	B222 1820	Cover: Scanner: Rear: EU	1
13	D009 2247	Cover - Lock Lever	1
14	D009 2254	Base - Lock Lever	1
15	D009 2249	Spring Plate - Lock Lever	1
16	D009 2248	Guide Plate - Lock Lever	1
17	D009 1243	Inner Cover - Right Upper	1
18	D009 2616	Paper Dust Case	1
19	D009 5515	Harness - Operation Panel	1

Index No.	Part No.	Description	Q'ty Per Assembly
101	0451 3008N	Tapping Screw - M3x8	
102	0454 3008Q	Tapping Screw: 3x8	
103	0454 3006Q	Tapping Screw - M3x6	
105	0353 0030N	Screw: M3x3	
106	0353 0050N	Screw-M3x5	

3.Operation Panel (D009/D011/D012/D013/D091/D092)

Rev. 05/24/2011



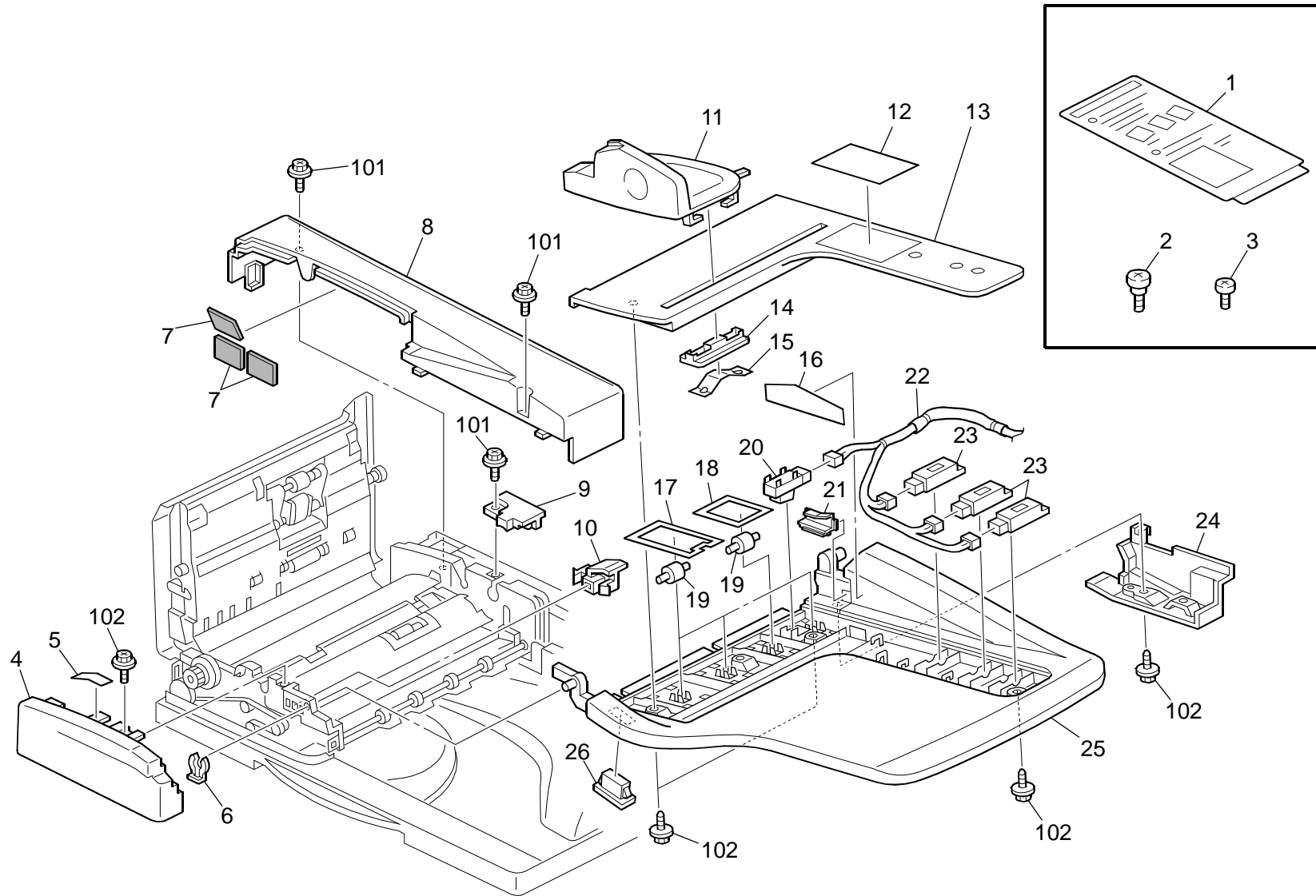
3.Operation Panel (D009/D011/D012/D013/D091/D092)

Rev. 3/2/2012

Index No.	Part No.	Description	Q'ty Per Assembly
*	D009 1441	Operation Panel - NA	1
*	D009 1452	Operation Panel - EU	1
*	D009 1443	Operation Panel - AA	1
*	D092 1411	Operation Panel: NA (D091/D092)	1
*	D092 1412	Operation Panel: EU (D091/D092)	1
*	D092 1443	Operation Sub-Unit: AA: Ass'y (D091/D092)	1
1	B238 1547	Spacer - Keytop	1
2	B238 1511	Keytop - Counter	1
3	B223 1518	Keytop - Blank FB	2
4	B223 1497	PCB: APC1: OP-L: Sub-Ass'y	1
5	D009 1480	Harness: OP-R: 10	1
6	D009 1481	Harness: OP-R: 13	1
7	B238 1527	Operation Panel Bracket	1
8	B238 1540	Sheet: Data: Display: NA	1
9	D092 1481	PCB - LCDC NA	1
10	D009 1486	Inverter: TFT	1
11	D009 1484	Harness: Inverter	1
12	B238 1548	Operation Panel Bracket - Right	1
13	B238 1519	Lens - Front	1
14	D009 1504	Shading Plate: Touch Panel	1
15	D009 1488	Touch Panel: W-VGA: MA	1
16	B238 1534	LCD Spacer A	2
17	B238 1535	LCD Spacer B	2
18	D089 1498	LCD: TFT: W-VGA: MV	1
19	D009 1487	Cable: FFC: TFT: LCD	1
20	B223 1520	Keytop - Clear/Stop	1
21	R724 1521	Keytop: 10Key	1
21	R724 1540	Keytop: 10Key: NA	1
21	R724 1541	Keytop - 10Key AA	1
22	B238 1583	Keytop - Clear Modes	1
23	B238 1504	Keytop - Start	1
24	B238 1506	Keytop - Try Print	1
25	B238 1509	Keytop - Interrupt	1
26	B238 1552	Keytop - Kantan	1
27	B238 1550	Keytop - Login	1

Index No.	Part No.	Description	Q'ty Per Assembly
28	B238 1549	Keytop - Power Source	1
29	D009 1483	Harness: OP-L: 13	1
30	D009 1482	Harness: OP-L: 12	1
31	D009 1470	PCB: OP-R	1
32	B223 1532	Keytop: Scanner: NA	1
32	B223 1538	Keytop: Scanner: EU	1
33	B223 1529	Keytop - DOC NA	1
33	B223 1535	Keytop: DOC: EU	1
34	B223 1528	Keytop - Copy NA	1
34	B223 1534	Keytop: Copy: EU	1
35	B223 1595	Cover: Scanner: Front	1
35	B222 1595	Cover: Scanner: Front: EU	1
36	B223 1531	Keytop: Printer: NA	1
36	B223 1537	Keytop: Printer: EU	1
37	B223 1596	Cover: Front Right: Upper	1
38	D009 1502	Cover: Lower	1
39	B223 1533	Keytop: Function: NA (D091/D092)	1
39	B223 1539	Keytop: Function: EU (D091/D092)	1
40	D009 1501	Cover: Upper	1
101	0450 3010N	Tapping Screw - M3x10	
102	0353 0060N	Bind Screw - M3x6	
103	1105 0511	Harness Clamp - LWS-0306ZC	
104	1105 0032	Clamp	
105	0451 3008N	Tapping Screw - M3x8	

4.ARDF Exterior (D009/D011/D012/D013/D091/D092)



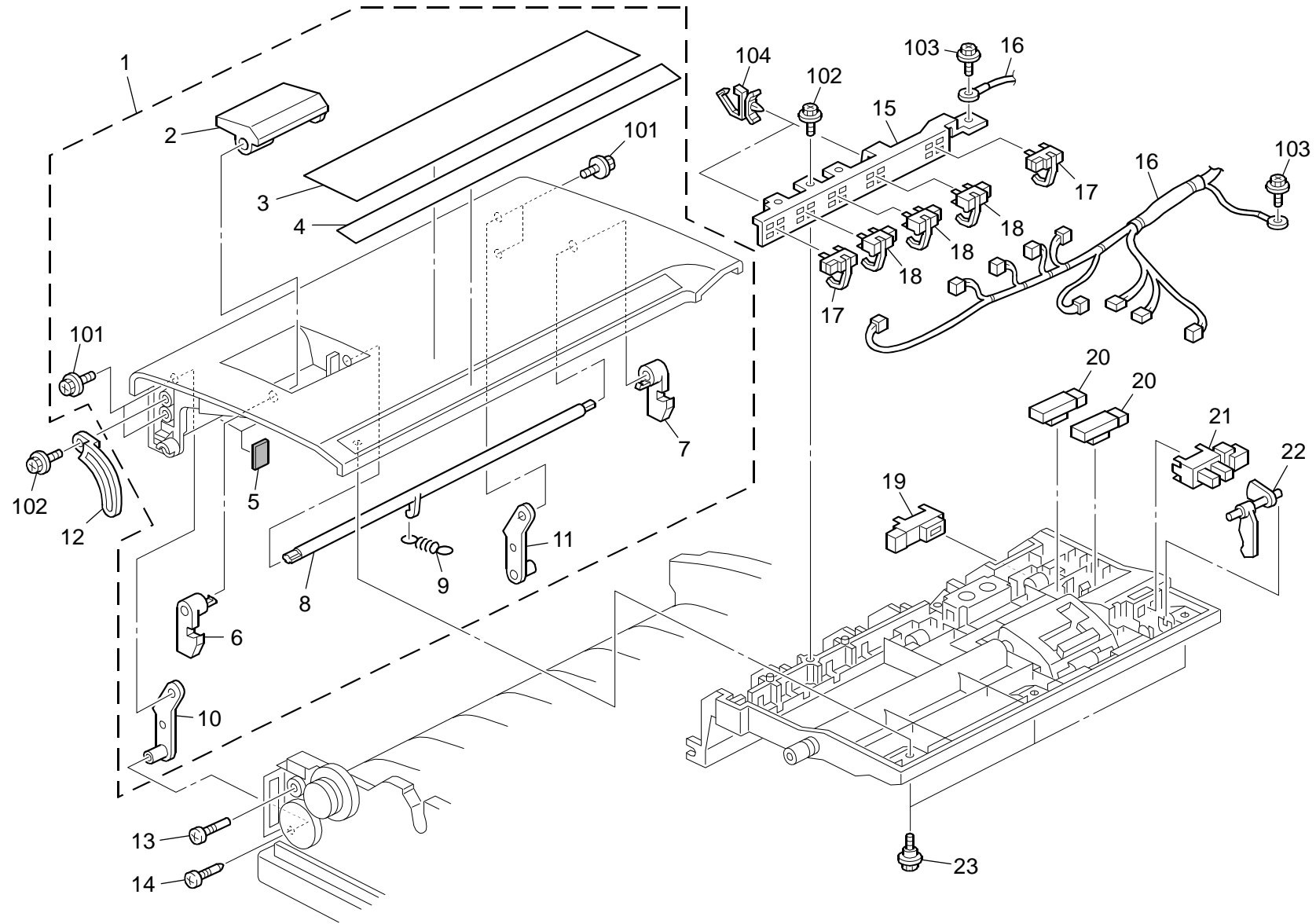
4.ARDF Exterior (D009/D011/D012/D013/D091/D092)

Rev. 2/17/2011

Index No.	Part No.	Description	Q'ty Per Assembly
1	B652 2379	Decal: Caution: Original: 5-Lang	1
2	A859 7211	Stepped Screw	2
3	D540 6121	Full Dug Point Screw: Fix: Hinge	2
4	B802 4411	Cover: Front	1
5	B802 6013	Decal: Display: Misfeed Removal: P1	1
6	5215 2621	Snap Ring - M6	1
7	B802 4712	Sound Proofing Material: Cover: Rear	3
8	B802 4511	Cover: Rear	1
9	B802 2551	Stay: Original Table: Contact Point	1
10	B802 2581	Stopper: Original Table	1
11	B802 2526	Side Fence	1
12	B789 6031	Decal - Original Table	1
13	B802 2522	Original Table: Face Front	1
14	B802 2536	Slider: Side Fence	1
15	B802 2532	Spring Plate: Side Fence	1
16	B802 6011	Decal: Side Fence	1
17	B802 2571	Spring Plate: 0.2T	3
18	A858 4676	Spring Plate - Pressure Roller	1
19	A858 4671	Roller Driven	4
20	GW01 0007	Photo Reflection Sensor: Exit	1
21	B802 2541	Guide: Original Insert	1
22	B802 5880	Harness: Sensor: Original Table	1
23	AW01 0129	Photo Reflection Sensor	3
24	B802 2562	Plate: Contact Point	1
25	B802 2512	Original Table	1
26	AG07 0513	Magnet Catch	2

Index No.	Part No.	Description	Q'ty Per Assembly
101	0451 3006N	Tapping Screw - 3x6	
102	0450 3008N	Tapping Screw - M3x8	

5.Original Feed 1 (D009/D011/D012/D013/D091/D092)



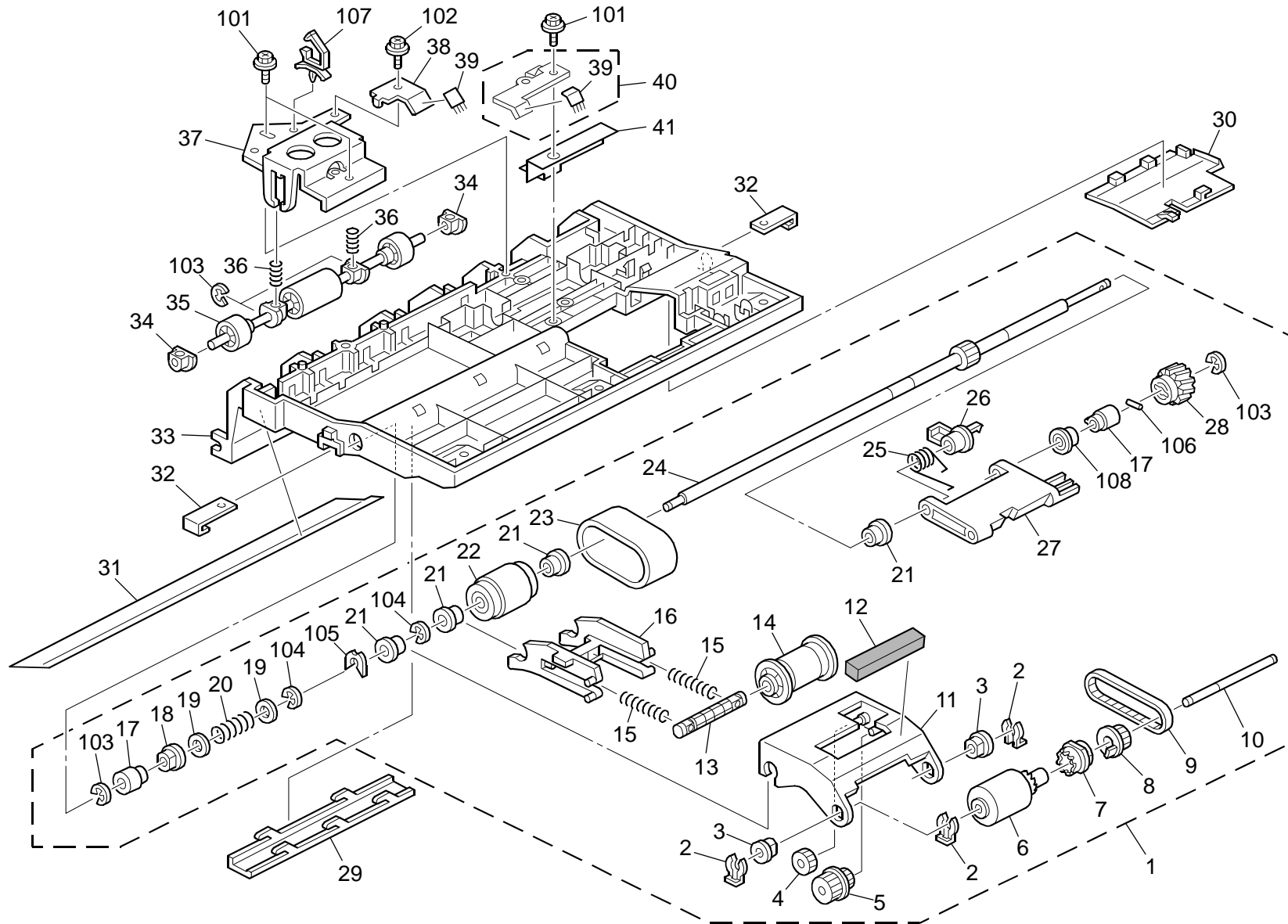
5.Original Feed 1 (D009/D011/D012/D013/D091/D092)

Rev. 2/17/2011

Index No.	Part No.	Description	Q'ty Per Assembly
1	B802 4121	Cover: Paper Feed	1
2	B802 4152	Grip: Cover	1
3	B802 6012	Decal: Misfeed Removal: Original	1
4	D501 2609	Decal: Size: Original	1
5	B802 4711	Sound Proofing Material	5
6	B802 4154	Hook: Grip: Cover: Front	1
7	B802 4155	Hook: Grip: Cover: Inner Back	1
8	B802 4158	Shaft: Grip: Cover	1
9	AA06 2262	Tension Spring	1
10	B802 4241	Bracket: Cover: Front	1
11	B802 4231	Bracket: Cover: Inner Back	1
12	B802 4162	Stopper: Cover	1
13	AA14 3789	Shaft: Cleaner	1
14	AA14 3788	Pin: Guide Plate: Paper Feed	1
15	B802 4252	Bracket: Paper Size Sensor	1
16	B802 5870	Harness: Sensor: Paper Feed	1
17	AW02 0154	Photointerruptor: Entrance	2
18	AW02 0155	Photointerruptor: Paper Size Sensor	3
19	GW01 0007	Photo Reflection Sensor: Exit	1
20	AW01 0091	Photo Reflection Sensor	2
21	GW02 0020	Photointerruptor: LG248NL1	1
22	B802 4263	Feeler: Original Sensor	1
23	GA14 3003	Screw: MM5: 2.5mm	3

Index No.	Part No.	Description	Q'ty Per Assembly
101	0451 3010N	Tapping Screw: 3x10	
102	0450 3008N	Tapping Screw - M3x8	
103	0451 3006N	Tapping Screw - 3x6	
104	1105 0516	Clamp	

6.Original Feed 2 (D009/D011/D012/D013/D091/D092)

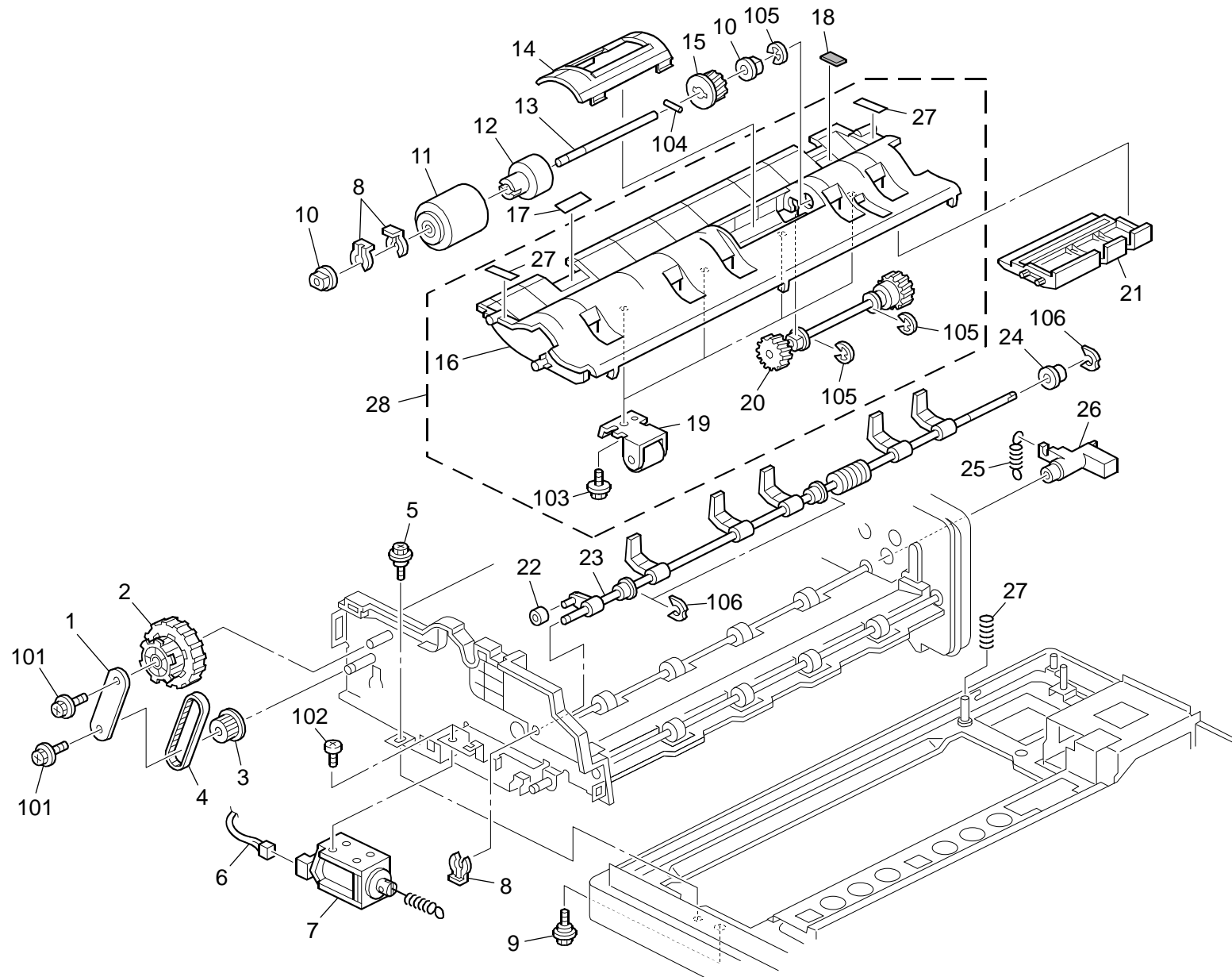


6.Original Feed 2 (D009/D011/D012/D013/D091/D092)

Index No.	Part No.	Description	Q'ty Per Assembly
1	B802 4311	Paper Feed: Unit	1
2	5447 2681	Snap Ring	3
3	AA08 2101	Bushing - 6x10x6	2
4	B802 4357	Gear: Z19	1
5	B802 4358	Timing Pulley: Gear: T19/Z22	1
6	B802 4361	Roller: Pickup	1
7	B387 2163	Pickup Collar	1
8	B802 4372	Timing Pulley: T21	1
9	AA04 3328	Timing Belt: 40S2M130	1
10	B802 4352	Shaft: Pickup	1
11	B802 4355	Bracket: Pickup	1
12	B802 4359	Cushion: Pickup	1
13	A859 2112	Drive Shaft - Paper Feed Belt	1
14	B387 2113	Roller - Paper Feed Belt	1
15	B386 3320	Spring: Belt: Paper Feed: 8N	2
16	B802 4333	Bracket: Paper Feed Belt	1
17	B802 4326	Collar: Shaft	2
18	AA08 2104	Bushing - 8x12x7	1
19	AA13 2013	Spacer	2
20	AA06 3435	Compression Spring: Paper Feed: Joint	1
21	A628 1225	Bushing - 8mm	4
22	B789 2114	Paper Feed Belt Roller	1
23	A806 1295	Feed Belt	1
24	B802 4322	Shaft: Drive	1
25	AA06 6376	Torsion Spring: Pickup: Pressure	1
26	B802 4323	Holder	1
27	B802 4325	Lever: Pickup: Release	1
28	B802 4328	Gear: Z20	1
29	B802 4228	Drum Stay: Upper: Front	1
30	B802 4227	Drum Stay: Upper: Inner Back	1
31	B802 4229	Sheet: Guide: Upper	1
32	B802 4224	Spring Plate: Upper	2
33	B802 4222	Guide: Upper	1
34	AA08 0288	Bushing: DIA6	2
35	B802 4295	Driven Roller: Pull Out	1

Index No.	Part No.	Description	Q'ty Per Assembly
36	AA06 3441	Compression Spring	2
37	B802 4282	Bracket: Driven Roller: Pull Out	1
38	B802 4292	Ground Plate: Driven Roller: Pull Out	1
39	G052 4892	Discharge Brush: Exit: Small	2
40	B802 4265	Ground Plate	1
41	B802 4225	Sheet: Driven Roller: Pull Out	1
101	0450 3008N	Tapping Screw - M3x8	
102	0451 3006N	Tapping Screw - 3x6	
103	0720 0040E	Retaining Ring - M4	
104	0720 0060E	Retaining Ring - M6	
105	0805 0088	Retaining Ring - M6	
106	0632 0100G	Pin - 2x10mm	
107	1105 0516	Clamp	
108	0741 3506	Ball Bearing - 6x12x4 mm	

7.Original Feed 3 (D009/D011/D012/D013/D091/D092)



7.Original Feed 3 (D009/D011/D012/D013/D091/D092)

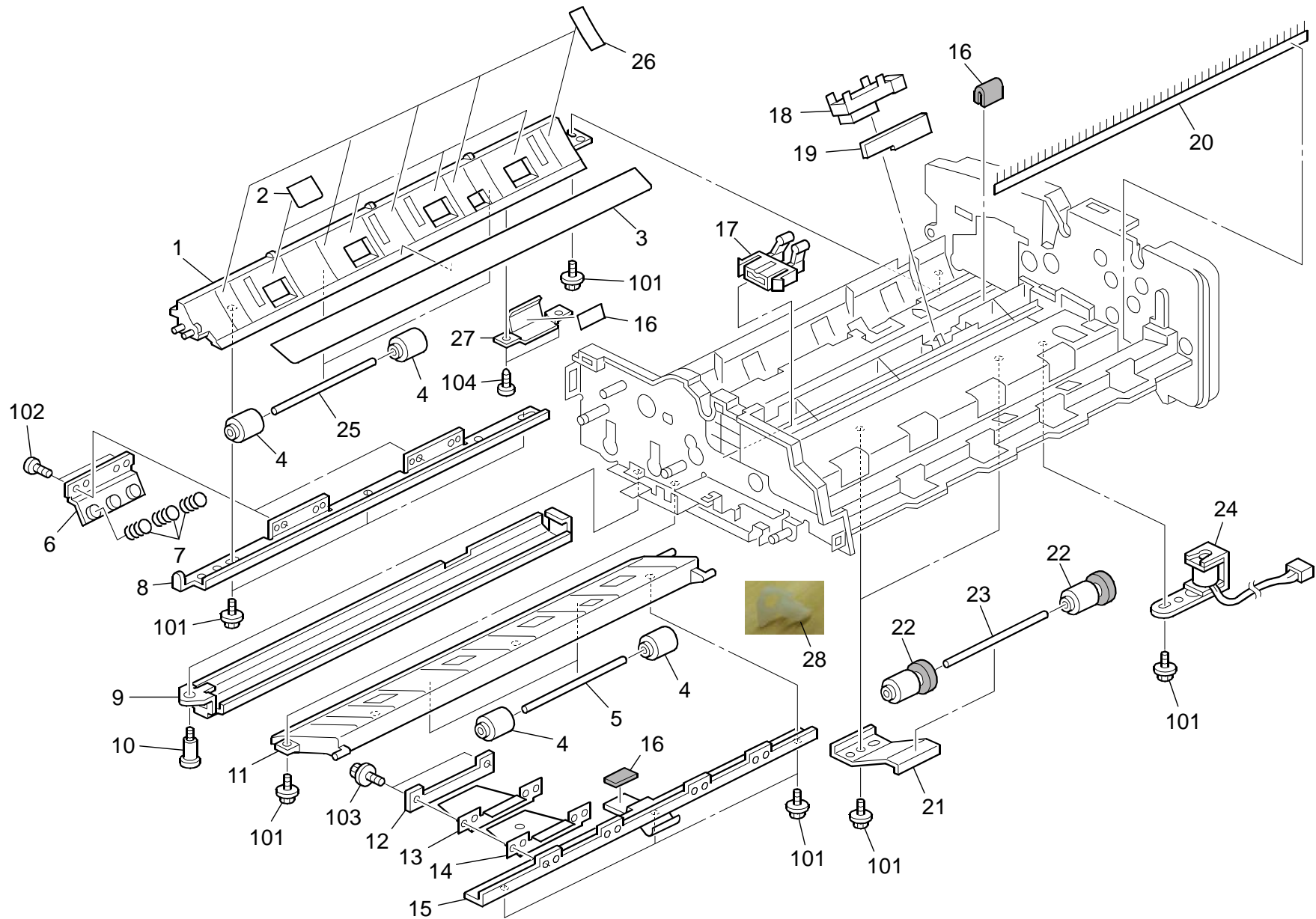
Rev. 9/14/2012

Index No.	Part No.	Description	Q'ty Per Assembly
1	B802 1773	Bracket: Shaft: Side Plate: Front	1
2	B802 1777	Knob: Misfeed Removal: T27	1
3	B312 1615	Tension Roller	1
4	B802 1774	Timing Belt: 40S3M186	1
5	AA14 3823	Tapping Screw	1
6	B802 5790	Harness: Solenoid	1
7	B802 3811	DC Solenoid: 24V	1
8	5447 2681	Snap Ring	3
9	AA06 3919	Spring: Pressure	1
10	AA08 2101	Bushing - 6x10x6	2
11	A859 2241	Reverse Roller	1
12	D541 2251	Torque Limiter Mechanical Clutch: Separator	1
13	B802 2252	Shaft: Roller: Reverse	1
14	B802 2225	Drum Stay: Guide: Reverse	1
15	B802 2253	Gear: Z20	1
16	B802 2228	Guide: Reverse: Open and Close	1
17	B802 6014	Decal: Display: Misfeed Removal: P2	1
18	A422 1063	Seal - 0.7x13x20	1
19	B802 2285	Roller: Reverse Exit: Driven	4
20	B802 2231	Shaft: Reverse: Drive: Press Fit	1
21	B802 2227	Guide: Reverse: Open and Close: Behind	1
22	A458 2251	Cushion - Bin Solenoid Lever	1
23	B802 2111	Stopper Pawl: Paper Feed	1
24	AA08 0265	Bushing: 6x8x5	1
25	AA06 0843	Tension Spring	1
26	B802 2115	Lever: Stopper Pawl	1
27	B802 2223	Sheet: Guard	2
28	B802 2229	Guide: Reverse: Open and Close: Sub-Ass'y	1

Index No.	Part No.	Description	Q'ty Per Assembly
101	0451 3006N	Tapping Screw - 3x6	
102	0353 0040N	Screw - M3x4	
103	0450 3008N	Tapping Screw - M3x8	
104	0632 0120G	Parallel Pin - 2x12	
105	0720 0040E	Retaining Ring - M4	
106	0805 0089	Retaining Ring - M4	

8.Original Transfer 1 (D009/D011/D012/D013/D091/D092)

Rev. 08/20/2012



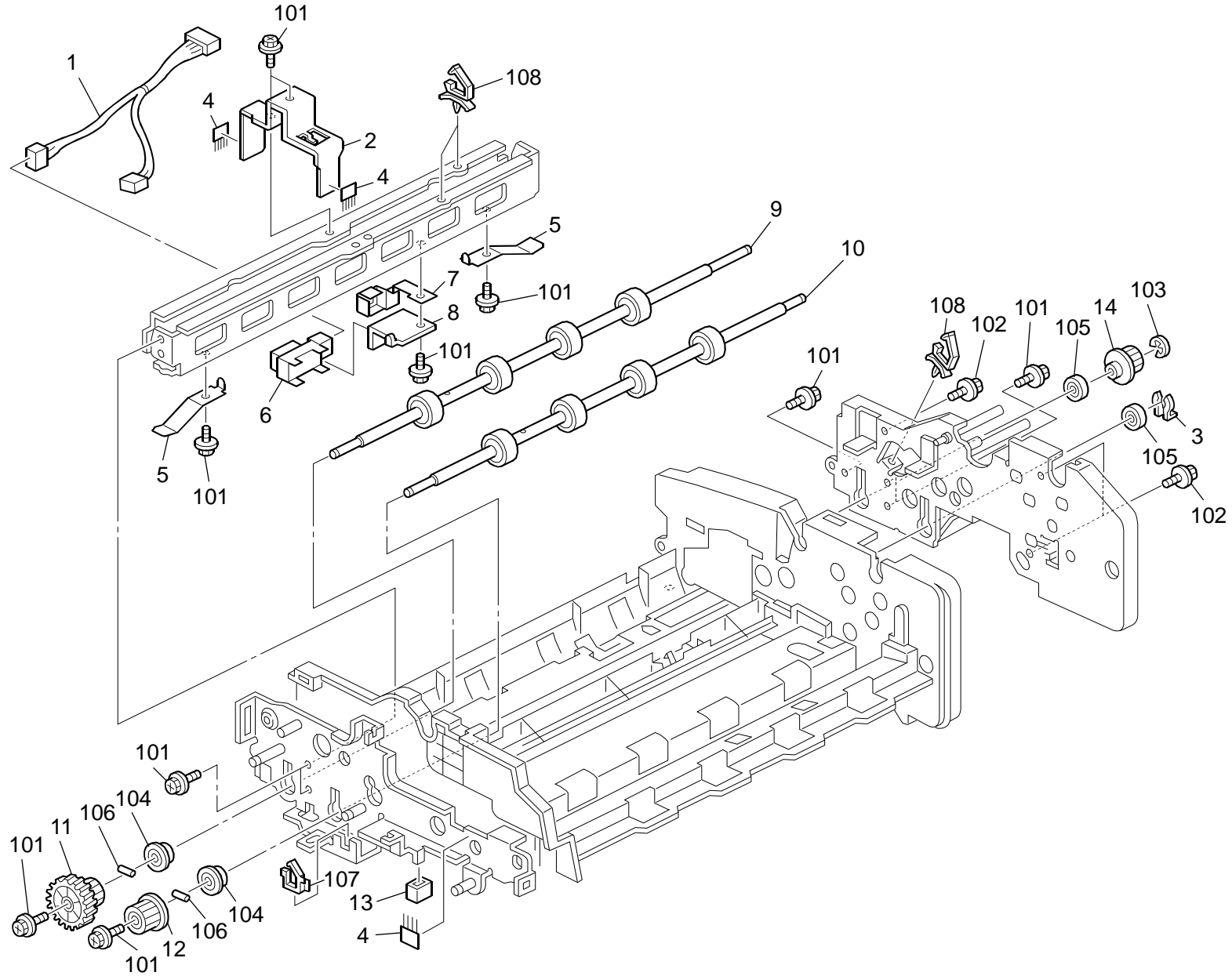
8.Original Transfer 1 (D009/D011/D012/D013/D091/D092)

Rev. 08/20/2012

Index No.	Part No.	Description	Q'ty Per Assembly
1	B802 3415	Guide: Scanning: Entrance: Lower	1
2	B802 3413	Sheet: Roller: Scanning: Entrance	4
3	B802 3414	Sheet: Scanning: Entrance	1
4	B802 3471	Roller: Scanning: Driven	8
5	B802 3592	Shaft: Driven: Exit	2
6	B802 3431	Bracket: Entrance: Pressure: Ass'y	2
7	B802 3435	Compression Spring: 3.3N	6
8	B802 3422	Stay: Scanning: Entrance: Lower	1
9	B802 3511	Guide Plate: Scanning	1
10	AA14 3569	Screw	1
11	B802 3553	Guide: Scanning: Exit: Lower	1
12	B802 3566	Plate: Exit: Pressure: Auxiliary	2
13	B802 3567	Spring Plate: Scanning: Exit: Driven: Upper	2
14	B802 3569	Spring Plate: Scanning: Exit: Driven: Lower	2
15	B802 3561	Stay: Scanning: Exit: Lower	1
16	A422 1063	Seal - 0.7x13x20	1
17	B802 2291	Stopper: Guide: Reverse	1
18	GW01 0007	Photo Reflection Sensor: Exit	1
19	B802 3851	Bracket: Sensor: Scanning: Exit	1
20	B802 3755	Discharge Brush: Reverse	1
21	B802 3711	Spring Plate	2
22	B789 3712	Exit Driven Roller	4
23	B789 3491	Scanning Driven Shaft	2
24	B714 5006	DC Solenoid: Transmitted Rubber Stamp	1
25	B802 3492	Shaft: Driven: Entrance	2
26	B802 3417	Sheet: Auxiliary: Scanning: Entrance	5
27	B802 3442	Sensor Bracket	1
28	B802 9002	Hook: Scanning: Exit [TSB#055]	1

Index No.	Part No.	Description	Q'ty Per Assembly
101	0450 3008N	Tapping Screw - M3x8	
102	0453 3006N	Tapping Screw - M3x6	
103	0451 3006N	Tapping Screw - 3x6	
104	0452 3006N	Binding Self-tapping Screw: 3x6	

9.Original Transfer 2 (D009/D011/D012/D013/D091/D092)

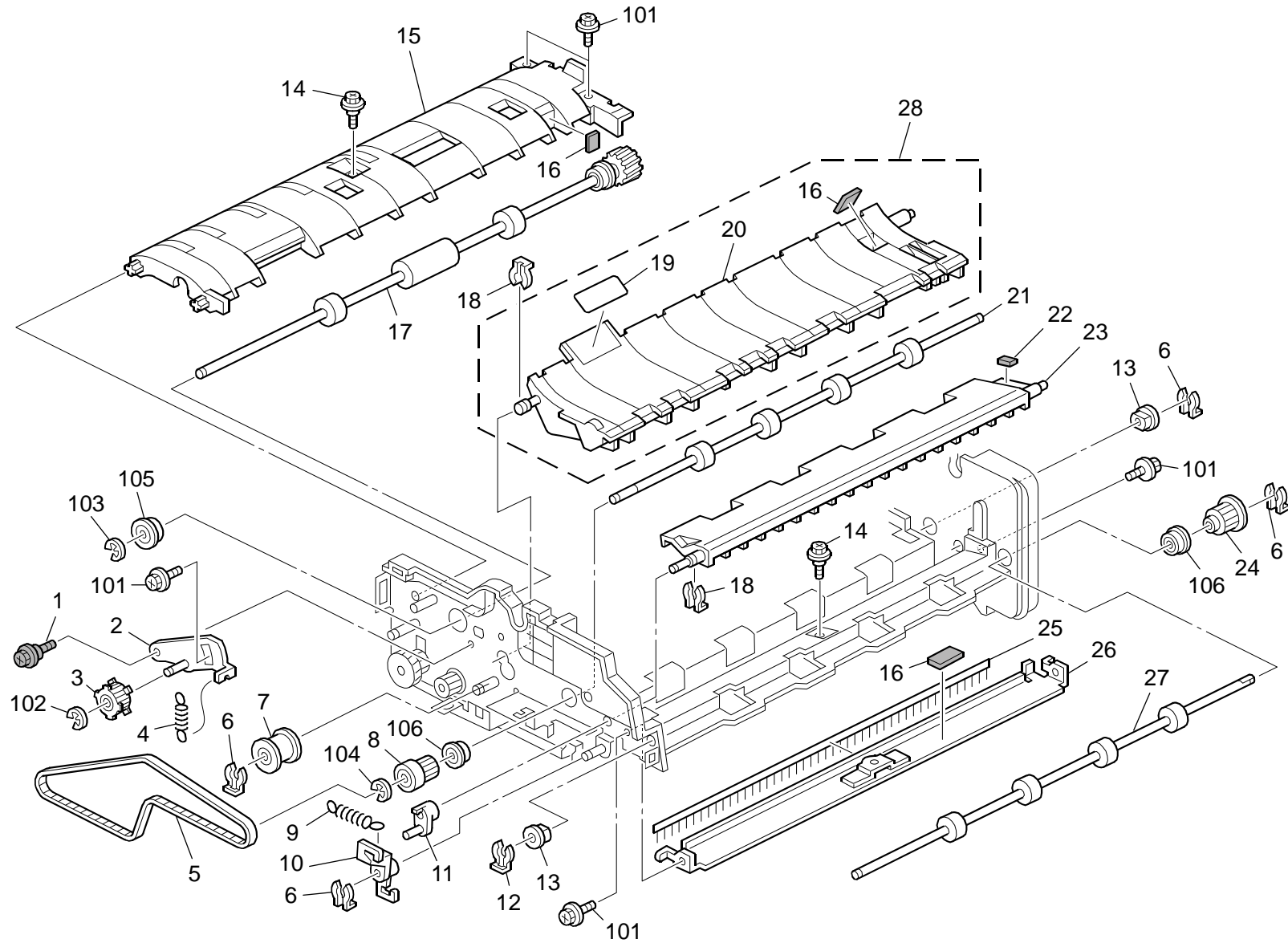


9.Original Transfer 2 (D009/D011/D012/D013/D091/D092)

Index No.	Part No.	Description	Q'ty Per Assembly
1	B802 5810	Harness: Registration Sensor	1
2	B802 3382	Bracket: Guide: Paper Feed: Lower	1
3	5447 2681	Snap Ring	1
4	G052 4892	Discharge Brush: Exit: Small	2
5	B802 3145	Spring Plate	2
6	GW01 0007	Photo Reflection Sensor: Exit	1
7	B802 3833	Shielding Plate: Sensor	1
8	B802 3834	Bracket: Registration Sensor	1
9	B802 3231	Roller: Scanning: Entrance	1
10	B802 3251	Roller: Scanning: Exit	1
11	B802 3235	Timing Pulley: T33-T24	1
12	B802 3252	Timing Pulley: T33	1
13	A697 2102	Damper - Junction Gate Solenoid	1
14	B802 3233	Timing Pulley: T33	1

Index No.	Part No.	Description	Q'ty Per Assembly
101	0451 3006N	Tapping Screw - 3x6	
102	0450 3008N	Tapping Screw - M3x8	
103	0720 0040E	Retaining Ring - M4	
104	0741 3506	Ball Bearing - 6x12x4 mm	
105	0740 3506	Ball Bearing - 6x12x4 mm	
106	0632 0100G	Pin - 2x10mm	
107	1105 0514	Edge Saddle - EDS-0607I	
108	1105 0511	Harness Clamp - LWS-0306ZC	

10.Original Transfer 3 (D009/D011/D012/D013/D091/D092)



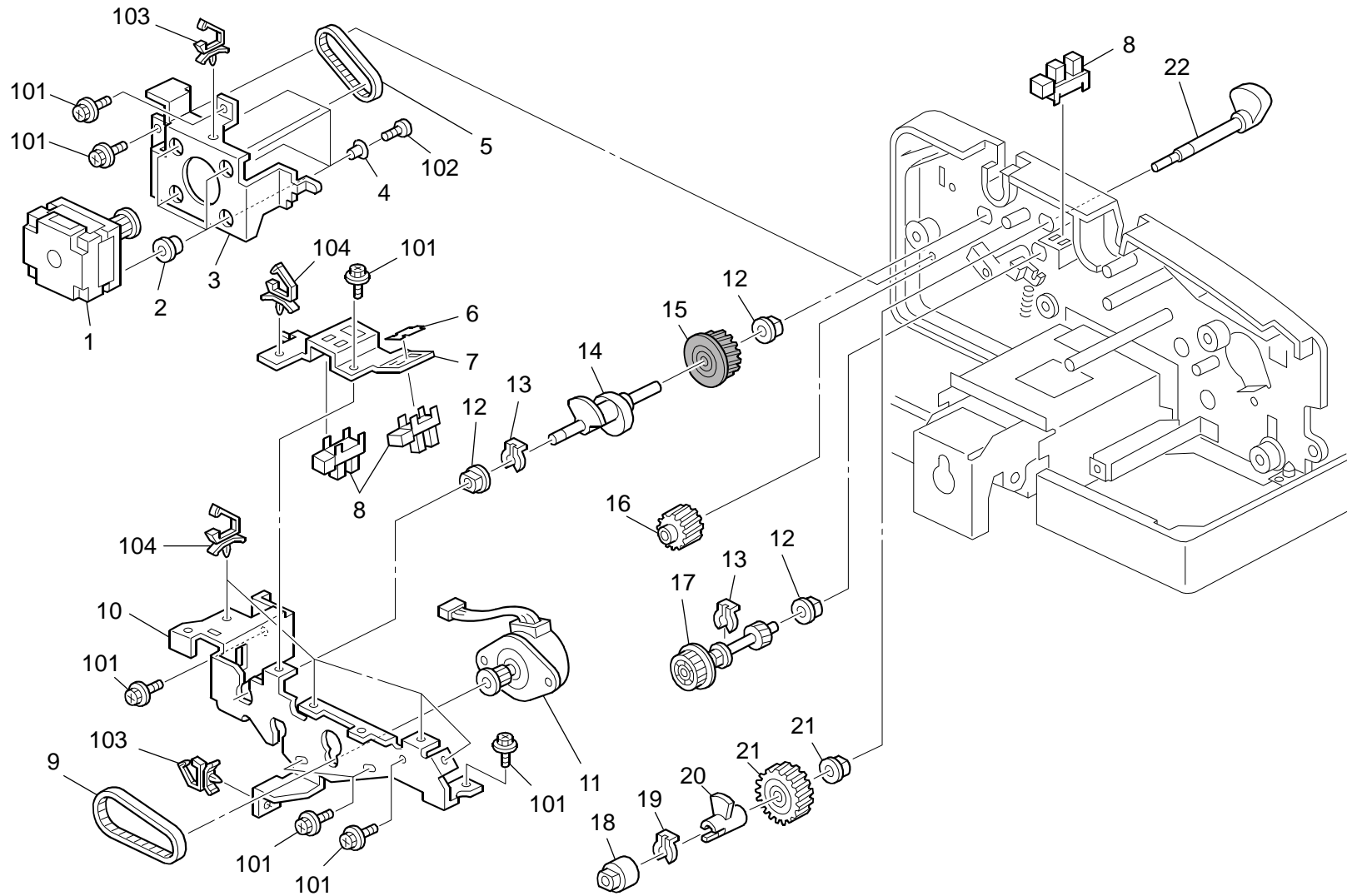
10.Original Transfer 3 (D009/D011/D012/D013/D091/D092)

Rev. 12/7/2012

Index No.	Part No.	Description	Q'ty Per Assembly
1	B238 4483	Screw	1
2	B802 1755	Bracket: Tension	1
3	B802 1752	Timing Pulley: T31: Idler: Ass'y	1
4	AA06 0842	Tension Spring	1
5	AA04 3321	Timing Belt: 40S1.5M378	1
6	5447 2681	Snap Ring	2
7	B802 1768	Pulley: Idler: DIA16: Ass'y	1
8	B802 3312	Timing Pulley: T26	1
9	AA06 2260	Tension Spring	1
10	B802 3631	Link: Solenoid	1
11	B802 3615	Lever: Exchange Pawl: Reverse	1
12	G020 1160	Snap Ring	1
13	AA08 2101	Bushing - 6x10x6	2
14	AA14 3790	Screw: Contact Point	2
15	D630 3351	Guide: Paper Feed: Lower	1
16	A422 1063	Seal - 0.7x13x20	2
17	B802 3211	Roller: Pull Out	1
18	5215 2621	Snap Ring - M6	1
19	B802 6016	Decal: Display: Misfeed Removal: P3	1
20	B802 3653	Guide: Exit: Upper	1
21	B802 3311	Roller: Exit	1
22	B802 3612	Cushion: Exchange Pawl	1
23	B802 3611	Exchange Pawl: Reverse	1
24	B802 3332	Timing Pulley: T23	1
25	B802 3756	Discharge Brush: Exit	1
26	B802 3751	Stay: Reverse	1
27	D630 3331	Roller: Reverse	1
28	B802 3655	Guide: Exit: Upper: Sub-ass'y	1

Index No.	Part No.	Description	Q'ty Per Assembly
101	0451 3006N	Tapping Screw - 3x6	
102	0720 0040E	Retaining Ring - M4	
103	0720 0060E	Retaining Ring - M6	
104	0720 0030E	Retaining Ring - M3	
105	0742 3808	Ball Bearing - 8x16x5	
106	0741 3506	Ball Bearing - 6x12x4 mm	

11.ARDF Drive Section 1 (D009/D011/D012/D013/D091/D092)

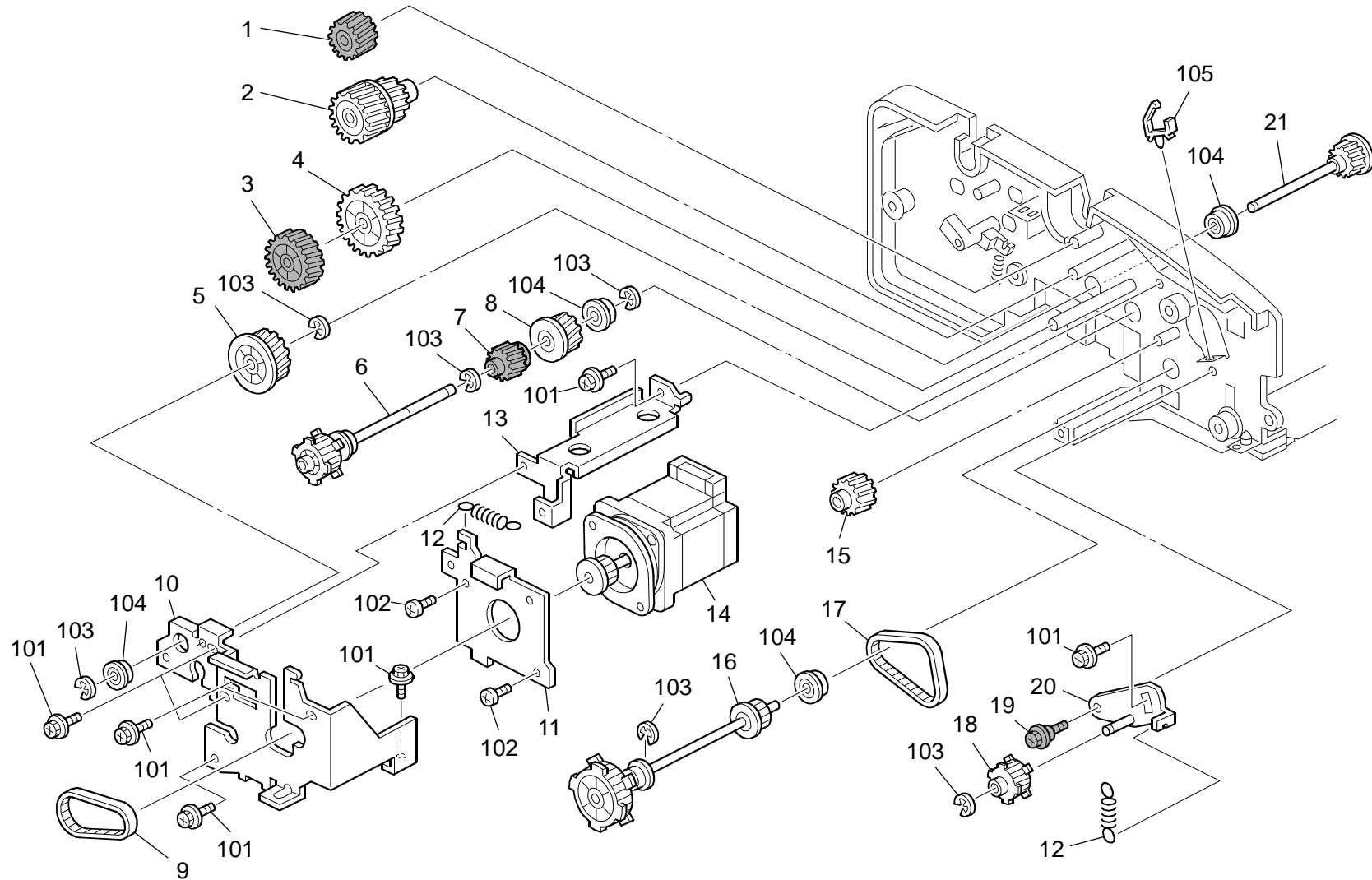


11.ARDF Drive Section 1 (D009/D011/D012/D013/D091/D092)

Index No.	Part No.	Description	Q'ty Per Assembly
1	B802 1812	Stepper Motor: DC4.08V 2.4W	1
2	AA10 1021	Rubber Bushing - 6 45HS	4
3	B802 1815	Bracket: Reverse: Drive	1
4	B044 1825	Collar	4
5	J503 3116	Timing Belt: 40S2M128	1
6	G570 1225	Sensor Shielding Plate	1
7	B802 1985	Bracket: Sensor: Pickup	1
8	GW02 0020	Photointerruptor: LG248NL1	3
9	AA04 3323	Timing Belt: 40S2M120	1
10	B802 1925	Bracket: Pickup: Drive	1
11	B700 5805	Stepper Motor: PM: S2M: T15: Ass'y	1
12	AA08 2101	Bushing - 6x10x6	3
13	5447 2681	Snap Ring	1
14	B802 1951	Cam: Stopper Pawl	1
15	B802 1956	Gear: Stopper: Original Insert: Z25	1
16	B351 1781	Gear - 18Z	1
17	B802 1931	Timing Pulley: T33-Z17	1
18	B802 1942	Stopper: Cam: Pickup	1
19	5206 2686	Snap Ring	1
20	B802 1943	Feeler: Cam: Pickup	1
21	B802 1946	Gear: Drive: Arm: Pickup	1
22	B802 1941	Cam: Pickup	1

Index No.	Part No.	Description	Q'ty Per Assembly
101	0451 3006N	Tapping Screw - 3x6	
102	0353 0060N	Bind Screw - M3x6	
103	1105 0511	Harness Clamp - LWS-0306ZC	
104	1105 0516	Clamp	

12.ARDF Drive Section 2 (D009/D011/D012/D013/D091/D092)

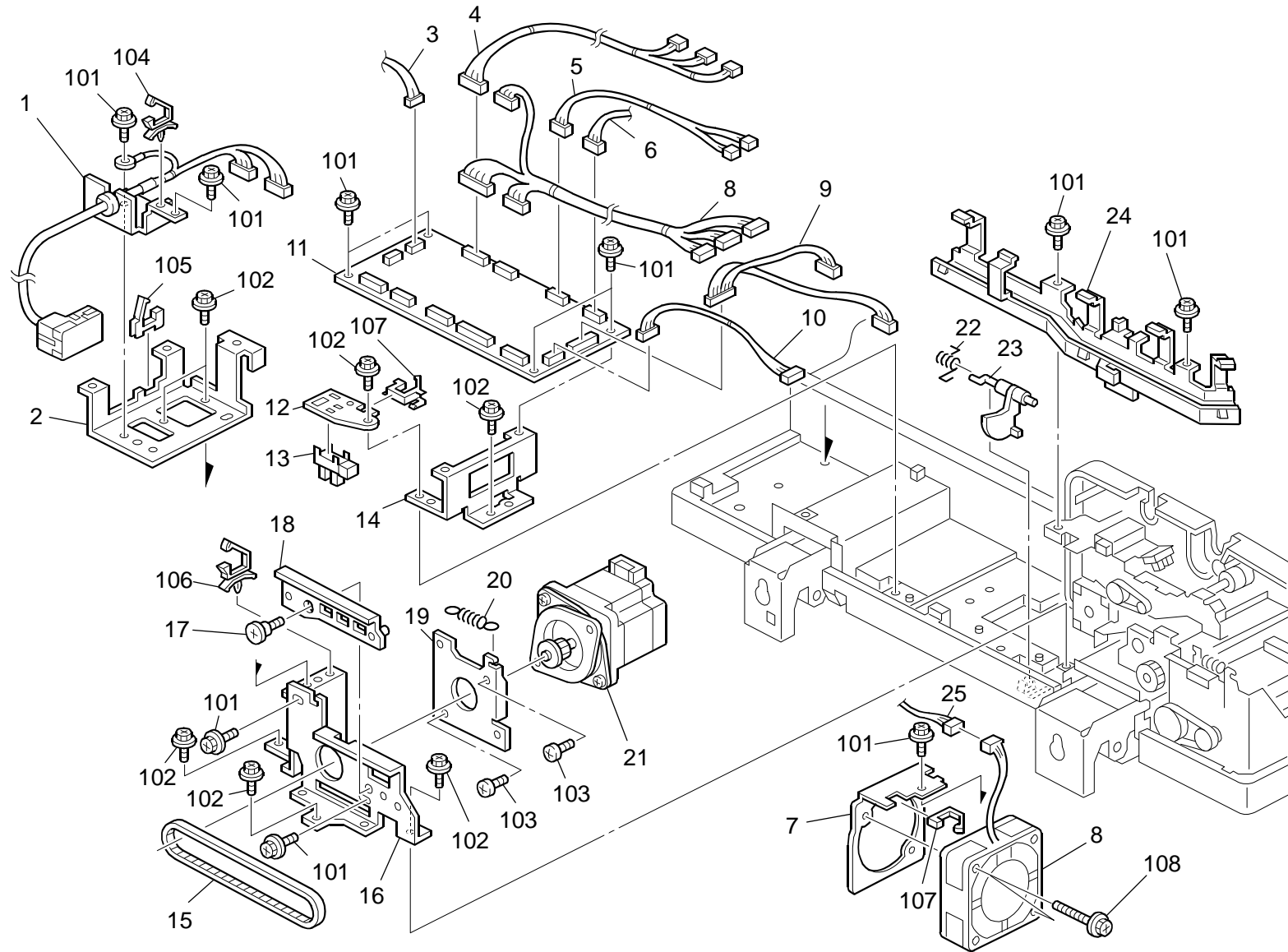


12.ARDF Drive Section 2 (D009/D011/D012/D013/D091/D092)

Index No.	Part No.	Description	Q'ty Per Assembly
1	B802 1671	Gear: Z17	1
2	B802 1661	Gear: Z21/Z23	1
3	B802 1642	Gear: Z37	1
4	B802 1643	Gear: Z26	1
5	B802 1651	Gear: Z25	1
6	B802 1631	Timing Pulley: T31	1
7	B802 1632	Gear: Z18	1
8	B802 1633	Gear: Z19	1
9	AA04 3320	Timing Belt: 40S1.5M150	1
10	B802 1715	Bracket: Stepper Motor	1
11	B802 1731	Stay: Motor: Scanning	1
12	AA06 0842	Tension Spring	2
13	B802 1736	Bracket: Protect: Drive	1
14	B802 1721	Stepper Motor: DC1.76V 3.7W	1
15	B802 1681	Gear: Z18	1
16	B802 1741	Timing Pulley: T31/T61	1
17	AA04 3322	Timing Belt: 40S1.5M157.5	1
18	B802 1762	Timing Pulley: T31	1
19	B238 4483	Screw	1
20	B802 1755	Bracket: Tension	1
21	B802 1641	Gear: Z18	1

Index No.	Part No.	Description	Q'ty Per Assembly
101	0451 3006N	Tapping Screw - 3x6	
102	0453 4006N	Binding Self Tapping Screw: 4x6	
103	0720 0040E	Retaining Ring - M4	
104	0741 3506	Ball Bearing - 6x12x4 mm	
105	1105 0511	Harness Clamp - LWS-0306ZC	

13.ARDF Electrical Section (D009/D011/D012/D013/D091/D092)

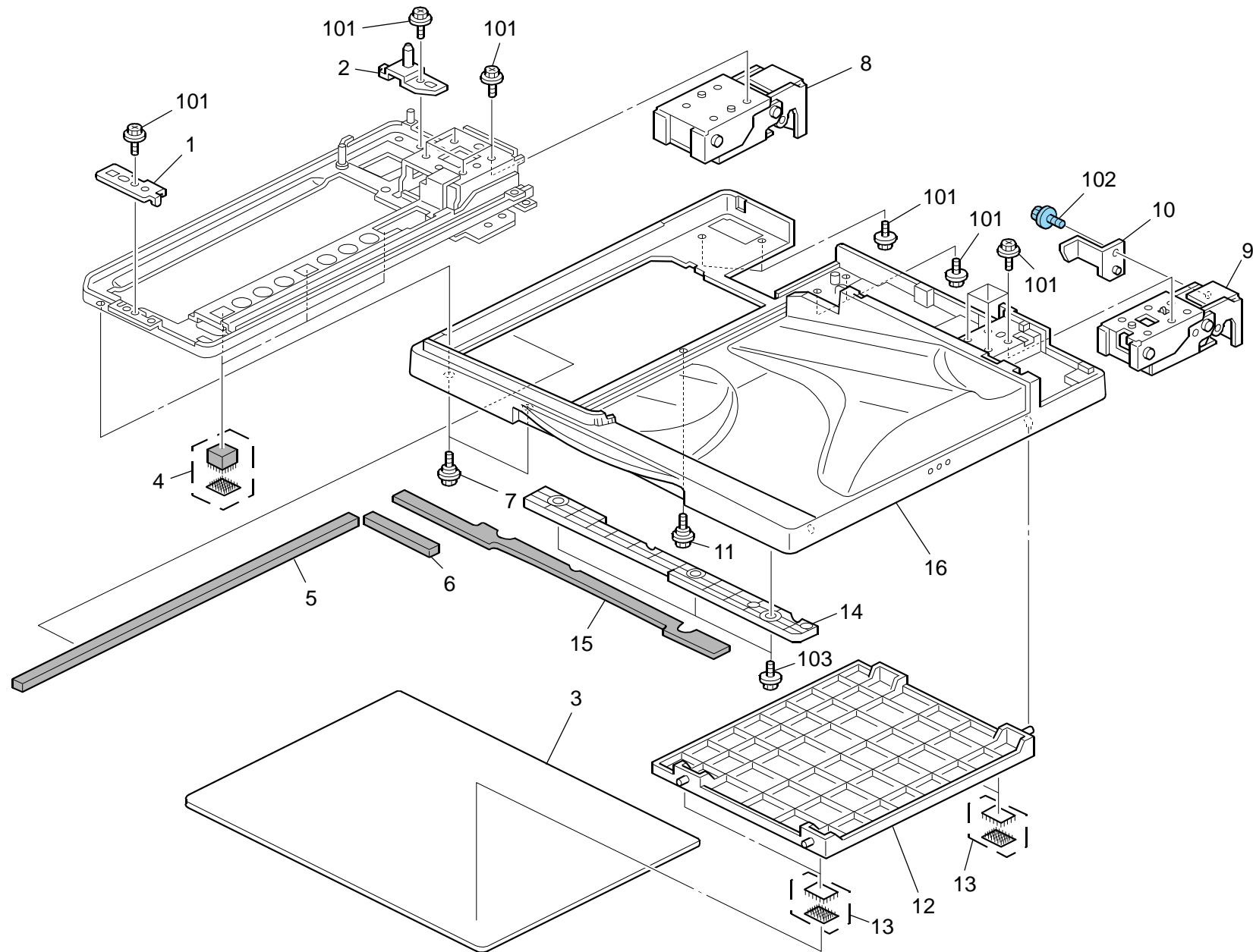


13.ARDF Electrical Section (D009/D011/D012/D013/D091/D092)

Index No.	Part No.	Description	Q'ty Per Assembly
1	B802 5710	Harness: Interface	1
2	B802 1231	Bracket: PCB: Right	1
3	B802 5780	Harness: Lift Up	1
4	B802 5730	Harness: Paper Feed	1
5	B802 5800	Harness: Solenoid	1
6	B802 5770	Harness: Motor: Reverse	1
7	B802 1629	Cooling Fan Bracket	1
8	GX64 0028	Fan Motor DC24V 1.92W	1
9	B802 5760	Harness: Motor: Paper Feed	1
10	B802 5820	Harness: Motor: Pick Up	1
11	B802 5501	ADF Main Board	1
12	B802 1246	Bracket: On Off Detector	1
13	GW02 0020	Photointerruptor: LG248NL1	1
14	B802 1236	Bracket: PCB: Left	1
15	B703 1165	Timing Belt: B40S2M390	1
16	B802 1612	Bracket: Motor	1
17	AA14 3802	Screw: 6x1.7	1
18	B802 1624	Bracket: Coupling	1
19	B802 1616	Stay: Motor	1
20	AA06 0842	Tension Spring	1
21	B802 1621	Stepper Motor: DC24V 4.8W	1
22	B387 1951	Spring - Paper Size Sensor	1
23	B802 1252	Feeler: Paper Size Sensor	1
24	B802 1412	Plate: Harness: Guide	1
25	B802 5850	Interface harness - Fan	1

Index No.	Part No.	Description	Q'ty Per Assembly
101	0451 3006N	Tapping Screw - 3x6	
102	0450 3008N	Tapping Screw - M3x8	
103	0453 4006N	Binding Self Tapping Screw: 4x6	
104	1105 0511	Harness Clamp - LWS-0306ZC	
105	1105 0522	Edge Saddle - LES0510	
106	1105 0487	Harness Clamp	
107	1105 0514	Edge Saddle - EDS-0607I	
108	0451 3020N	Tapping Screw: 3x20	

14.ARDF Frame Section (D009/D011/D012/D013/D091/D092)



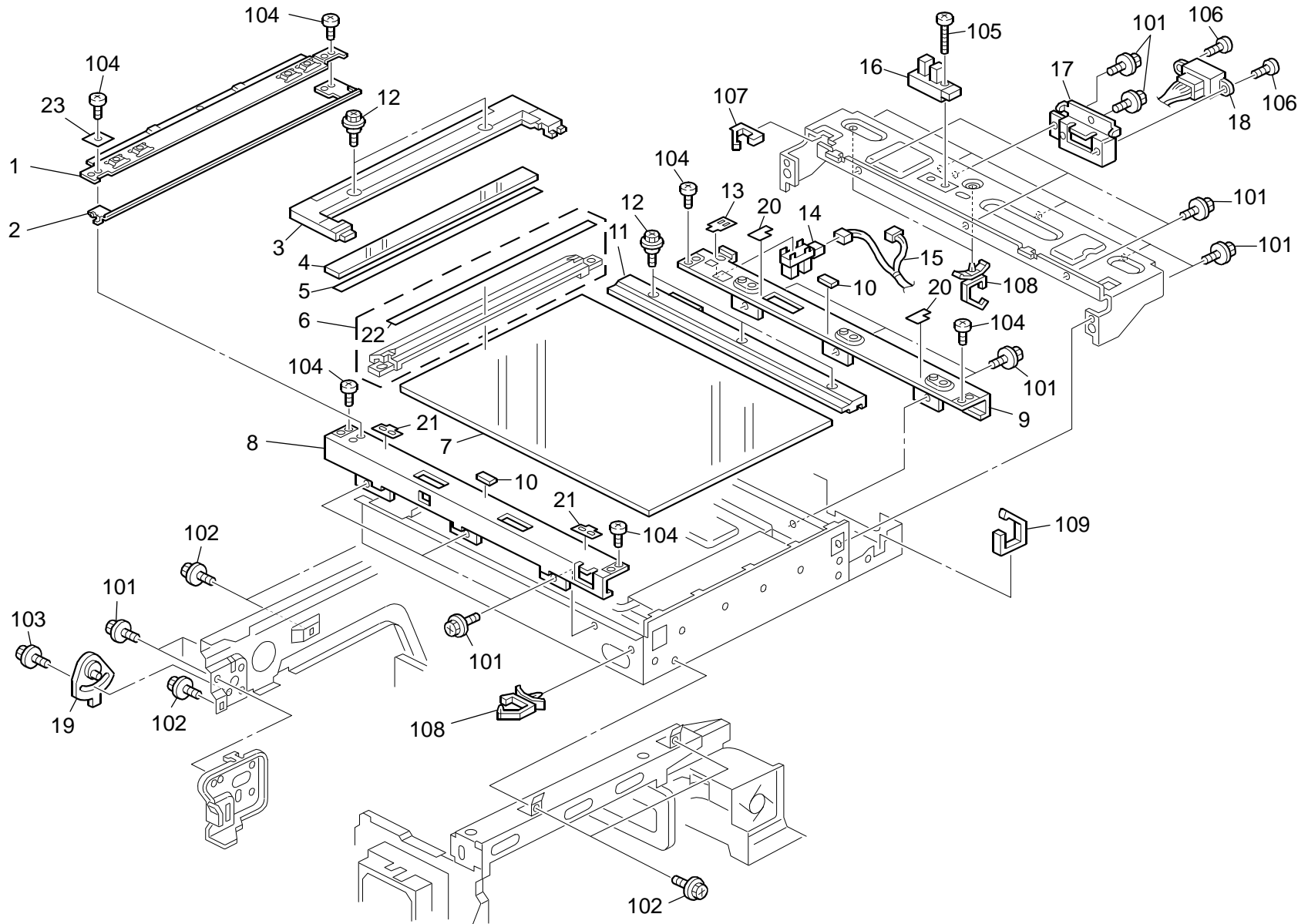
14.ARDF Frame Section (D009/D011/D012/D013/D091/D092)

Rev. 12/29/2011

Index No.	Part No.	Description	Q'ty Per Assembly
1	B802 1121	Positioning Plate: Front	1
2	B802 1131	Positioning Plate: Rear	1
3	B802 4611	Pressure Plate	1
4	B802 4632	Cushion: Pressure Plate: Left	3
5	B802 4713	Cushion: Left	1
6	B802 4714	Cushion: Inner Back	1
7	AA14 3790	Screw: Contact Point	2
8	B802 1321	Hinge: Left: Ass'y	1
9	B802 1361	Damper: Hinge: Right: Ass'y	1
10	A859 1841	Filter - DF Open Sensor	1
11	AA14 3520	Shoulder Screw - M3	1
12	B802 4621	Drum Stay: Pressure Plate	1
13	B477 2715	Pressure Plate Tape	2
14	B802 1261	Grip: Lower	1
15	B802 1266	Sponge: Base: 2mm	1
16	B802 1212	Frame: Base	1

Index No.	Part No.	Description	Q'ty Per Assembly
101	0451 3006N	Tapping Screw - 3x6	
102	0454 3006Q	Tapping Screw - M3x6	

15.Scanner Section 1 (D009/D011/D012/D013/D091/D092)

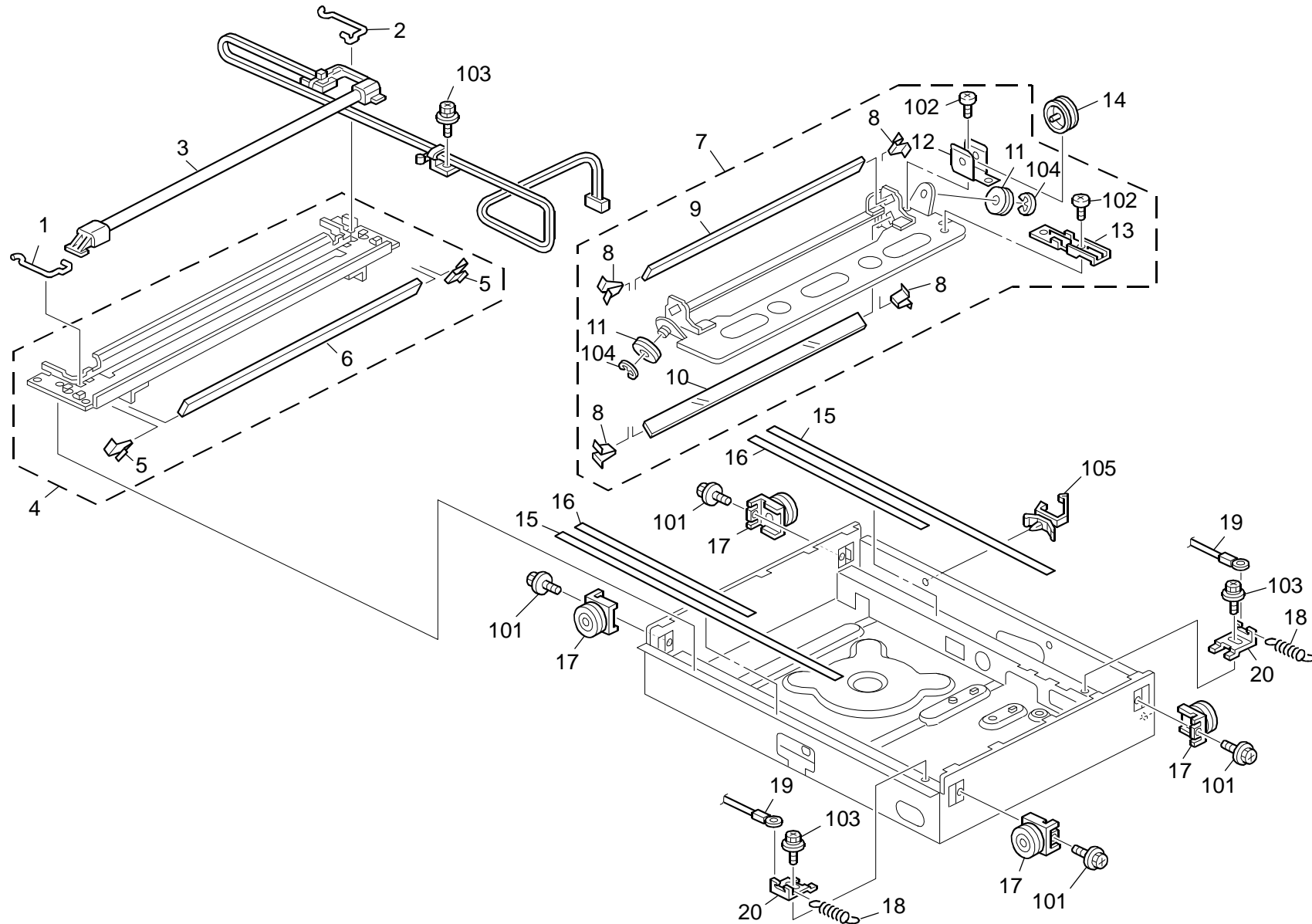


15.Scanner Section 1 (D009/D011/D012/D013/D091/D092)

Index No.	Part No.	Description	Q'ty Per Assembly
1	D009 1731	Bracket A - Left Scale	1
2	D009 1732	Bracket B - Left Scale	1
3	B223 1773	Scale: Machine Or Copier	1
4	BC01 2002	Exposure Glass: Sheet Through: 344x20	1
5	B223 1774	Seal: Sheet Through	1
6	B223 1787	Scale: Left: NA	1
6	B223 1777	Scale: Left	1
7	A250 1752	Exposure Glass	1
8	B051 1727	Frame: Scanner: Front	1
9	B223 1788	Frame: Scanner: Rear	1
10	5442 1924	Exposure Glass Cushion	2
11	B132 1692	Scale: Rear: Printing	1
12	AA14 3520	Shoulder Screw - M3	5
13	A193 1793	Scanner Home Sensor Stopper	1
14	AW02 0145	Photointerruptor: Flat	1
15	D029 5212	Harness: SIO: Sensor	1
16	AW02 0146	Photointerruptor: Flat: PICH2mm: M4	1
17	B223 1808	Document Feeder: Connector: Bracket	1
18	D029 5213	Harness: SIO: ARDF	1
19	B223 1116	Cam: Guide Plate: Scanner: Left	1
20	B223 1833	Seal: Exposure Glass: Rear	2
21	B238 1845	Seal: Exposure Glass	2
22	B814 6053	Decal - Scale	1
23	D029 1774	Seal: Guard: Exposure Glass: Document Feeder	1

Index No.	Part No.	Description	Q'ty Per Assembly
101	0451 3006N	Tapping Screw - 3x6	
102	0451 3008N	Tapping Screw - M3x8	
103	0451 3010N	Tapping Screw: 3x10	
104	0453 3006N	Tapping Screw - M3x6	
105	0314 0120N	Screw - M4x12	
106	0453 3008N	Binding Self Tapping Screw: 3x8	
107	1105 0522	Edge Saddle - LES0510	
108	1105 0511	Harness Clamp - LWS-0306ZC	
109	1105 0544	Edge Saddle: LES-2017	

16.Scanner Section 2 (D009/D011/D012/D013/D091/D092)



16.Scanner Section 2 (D009/D011/D012/D013/D091/D092)

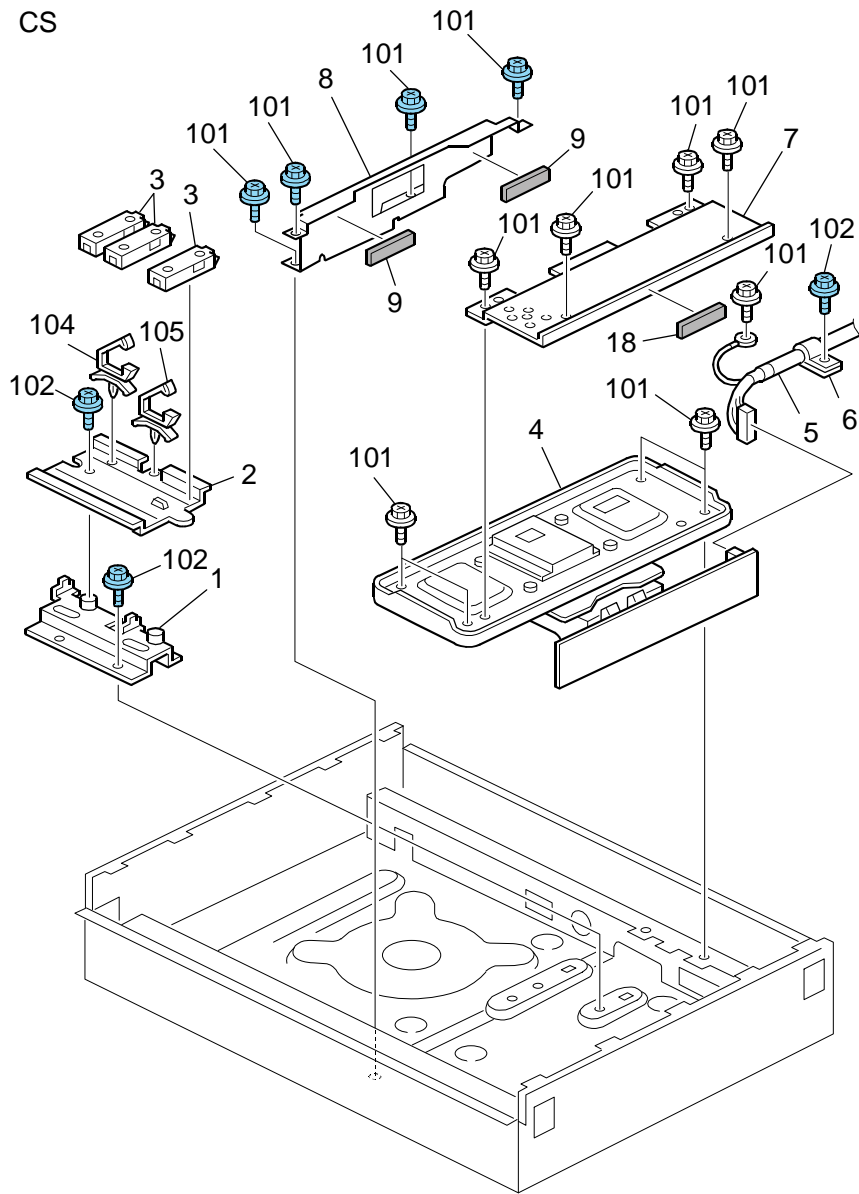
Rev. 9/19/2011

Index No.	Part No.	Description	Q'ty Per Assembly
1	A193 1766	Wire Clamp	1
2	A193 1769	Clamp - Rear Wire	1
3	D009 1840	Xenon Lamp: MS model (D009/D012)	1
3	B223 1840	Xenon Lamp: CS model (D011/D013/D091/D092)	1
4	D009 1715	1st Carriage Ass'y	1
5	M026 1815	Clamp: Mirror: No. 1	2
6	AC03 0142	1st Mirror	1
7	B223 1721	Carriage: No.2	1
8	G404 2810	Spring Plate - 2nd Mirror	4
9	B223 1754	Mirror: No.2: Concave	1
10	B223 1755	Mirror: No.2: Convex	1
11	B238 1807	Pulley	2
12	G570 2833	Pulley Holder	1
13	G570 2832	Guide - High Voltage Supply Cord	1
14	G570 2834	Pulley - High Voltage Supply Cord	1
15	A193 1816	1st Slide Rail	2
16	B180 1734	Slide Rail: No.2	2
17	B238 1806	Idler Pulley	4
18	AA06 0980	Tension Spring: Tension: 11300mN	2
19	B223 1782	Drive Wire	2
20	B180 1704	Bracket: Tension	2

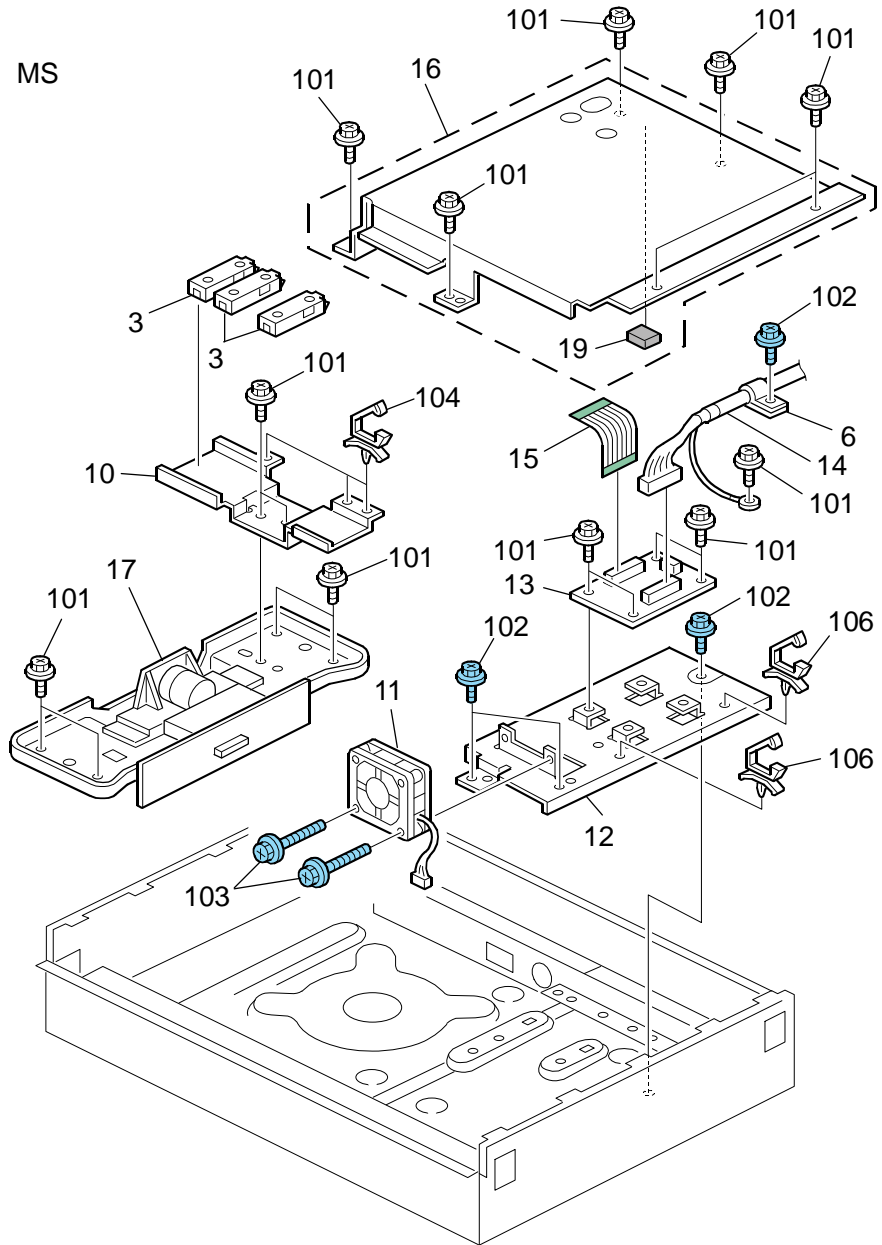
Index No.	Part No.	Description	Q'ty Per Assembly
101	0451 3006N	Tapping Screw - 3x6	
102	0353 0050N	Screw-M3x5	
103	0802 5299	Tapping Screw - M3x8	
104	0720 0040E	Retaining Ring - M4	
105	1105 0534	Clamp	

17.Scanner Section 3 (D009/D011/D012/D013/D091/D092)

CS



MS

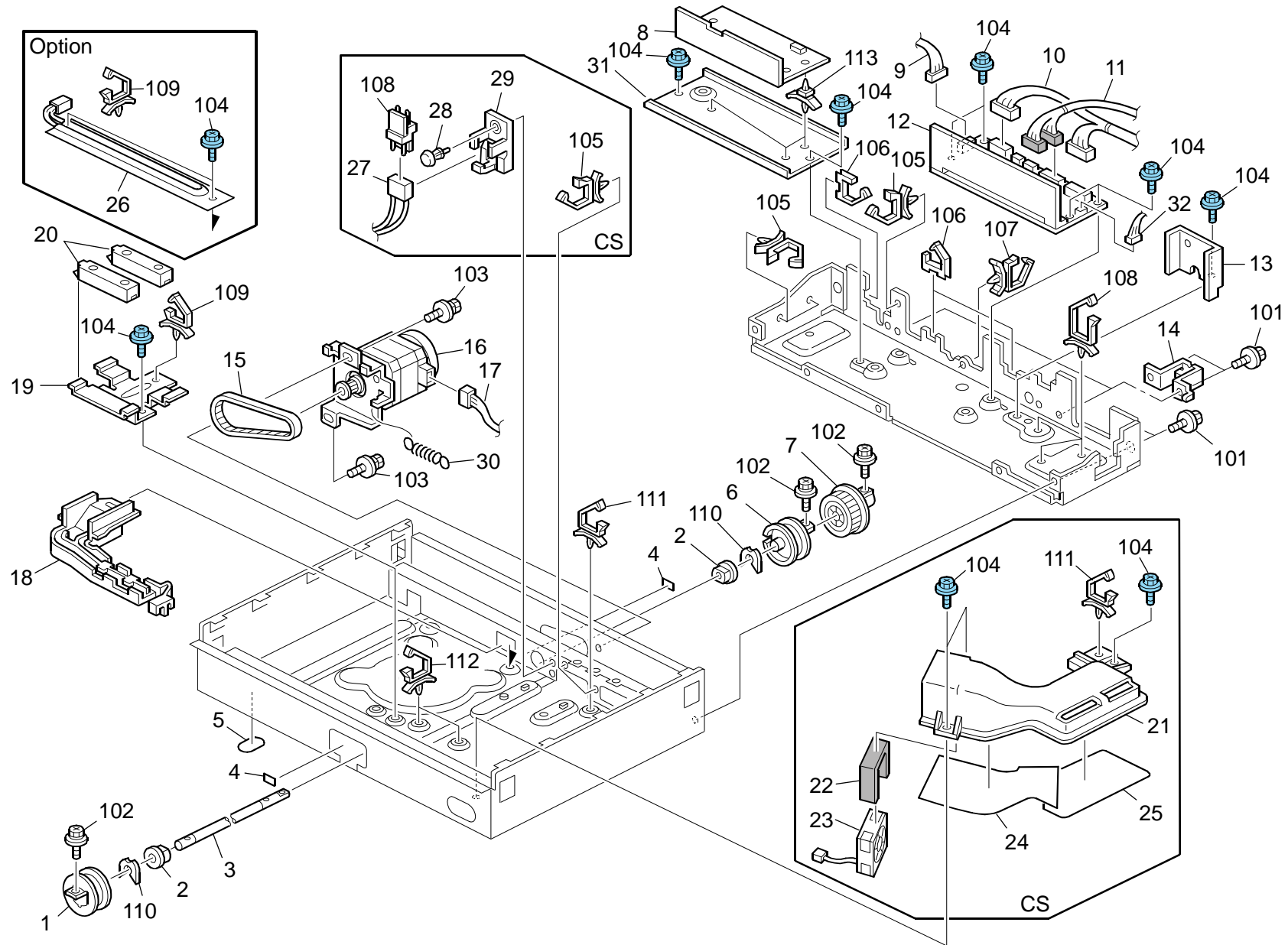


17.Scanner Section 3 (D009/D011/D012/D013/D091/D092)

Index No.	Part No.	Description	Q'ty Per Assembly
1	B051 1814	Bracket: Original Sensor	1
2	D009 1815	Original Sensor Bracket - Sub Scan	1
3	AW01 0133	Original Sensor - 66mm	3
3	AW01 0134	Original Sensor - 48mm	3
4	B223 1771	Lens Unit	1
5	D011 5530	Interface Cable - Scanner Color	1
6	B154 5879	Plate: Cable	2
7	B180 1701	Inner Cover	1
8	B223 1790	Ground Plate: Stay: Lens	1
9	B223 1791	Gasket: RFSG-030100: 75	1
10	D009 1814	Original Sensor Bracket - 48mm	1
11	AX64 0164	Fan Motor: 15mm: 24V	1
12	D009 1742	Bracket - Printed Circuit Board	1
13	D009 5380	Connector Board	1
14	D009 5540	Interface Cable - Scanner BW	1
15	B213 5544	Harness: FFC: SBU: 50Wick: 80mm	1
16	D009 1681	Inner Cover - MS	1
17	D009 1832	Lens Unit	1
18	D009 1779	Gasket - 10x25	1
19	B138 5801	Gasket: Inner Cover	1

Index No.	Part No.	Description	Q'ty Per Assembly
101	0451 3006N	Tapping Screw - 3x6	
102	0454 3006Q	Tapping Screw - M3x6	
103	0454 3020Q	Tapping Screw: 3x20	
104	1105 0534	Clamp	
105	1105 0511	Harness Clamp - LWS-0306ZC	
106	1105 0516	Clamp	

18.Scanner Section 4 (D009/D011/D012/D013/D091/D092)

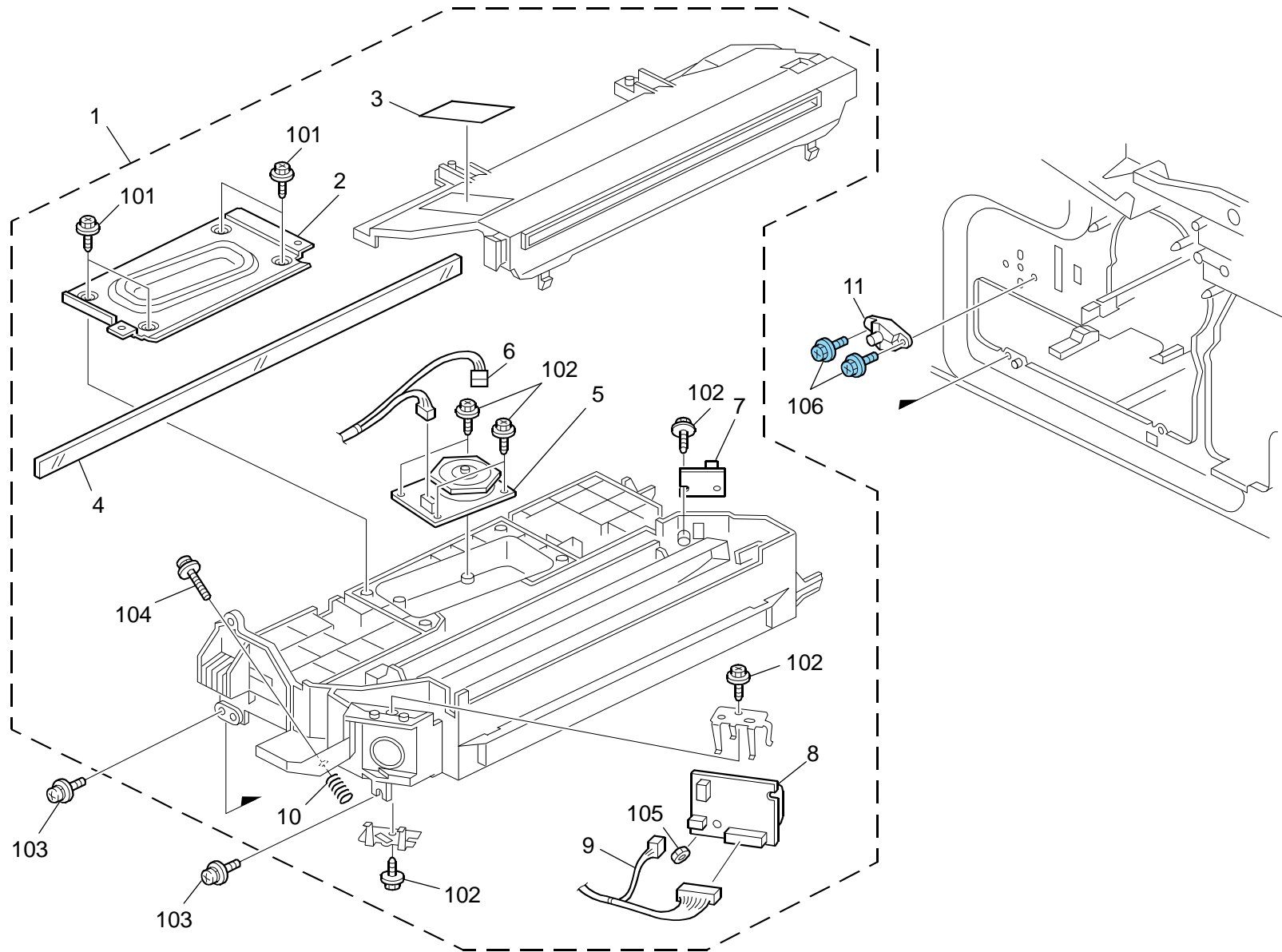


18.Scanner Section 4 (D009/D011/D012/D013/D091/D092)

Index No.	Part No.	Description	Q'ty Per Assembly
1	B180 1810	Pulley: Drive Were: Front: Sub-Ass'y	1
2	AA08 2144	Bushing - 8x12x7	2
3	B180 1814	Shaft: Scanner: Drive	1
4	G570 1160	Spacer Bushing	2
5	B223 1824	Seal: Scanner: Frame: Base	1
6	B180 1812	Pulley: Drive Were: Rear: Sub-Ass'y	1
7	G570 1133	Timing Pulley 73	1
8	AZ50 0070	Stabilizer - CS	1
8	AZ50 0074	Stabilizer - MS	1
9	D029 5214	Harness: SIO: Lamp Regulator	1
10	B223 5223	Harness: SIO: Machine Or Copier	1
11	D009 5555	Harness - Scanner Unit BW	1
11	D011 5550	Harness - Scanner Unit Color	1
12	D009 5370	Scanner I/O Board - BW	1
12	D011 5350	Scanner I/O Board - Color	1
13	B223 1779	Cover: Stepper Motor: Rear	1
14	B223 1807	Bracket: Exterior: Rear	2
15	B238 1792	Timing Belt - 157ST1.5-4.0	1
16	B180 1713	Stepper Motor: Ass'y	1
17	D029 5215	Harness: SIO: STM	1
18	B180 1803	Guide: High Voltage Supply Cord: Base	1
19	D009 1816	Original Sensor Bracket	1
20	AW01 0140	Original Sensor - 76mm	2
21	B223 1825	Duct: Scanner	1
22	B223 1826	Sheet: Fan: Duct: Scanner	1
23	AX64 0164	Fan Motor: 15mm: 24V	1
24	B223 1827	Seal: Duct: Front: Scanner	1
25	B223 1828	Seal: Duct: Rear: Scanner	1
26	B229 1687	Heater: Option: 120V: 9W	1
26	B229 1688	Heater: Option: 230V: 9W	1
27	D029 5218	Harness: Lamp: Connecting	1
28	H020 2318	Rivet - NRP345	1
29	B223 1786	Holder: Connector	1
30	AA06 0979	Tension Spring: Tension: 14720mN	1
31	D009 1821	Inverter Bracket	1

Index No.	Part No.	Description	Q'ty Per Assembly
32	D009 5560	Harness - Stabilizer BW	1
101	0451 3006N	Tapping Screw - 3x6	
102	0804 6123	Hexagonal Bolt: W/Washer: M3x8	
103	0802 5299	Tapping Screw - M3x8	
104	0454 3006Q	Tapping Screw - M3x6	
105	1105 0516	Clamp	
106	1105 0518	Edge Saddle - LES-1010	
107	1105 0488	Harness Clamp	
108	1105 0517	Harness Clamp - LWS-2111Z	
109	1105 0460	Clamp	
110	0805 0088	Retaining Ring - M6	
111	1105 0508	Harness Clamp - LWS-0711	
112	1105 0511	Harness Clamp - LWS-0306ZC	
113	1105 0195	PCB Stud	

19.LD Unit (D009/D011/D012/D013/D091/D092)

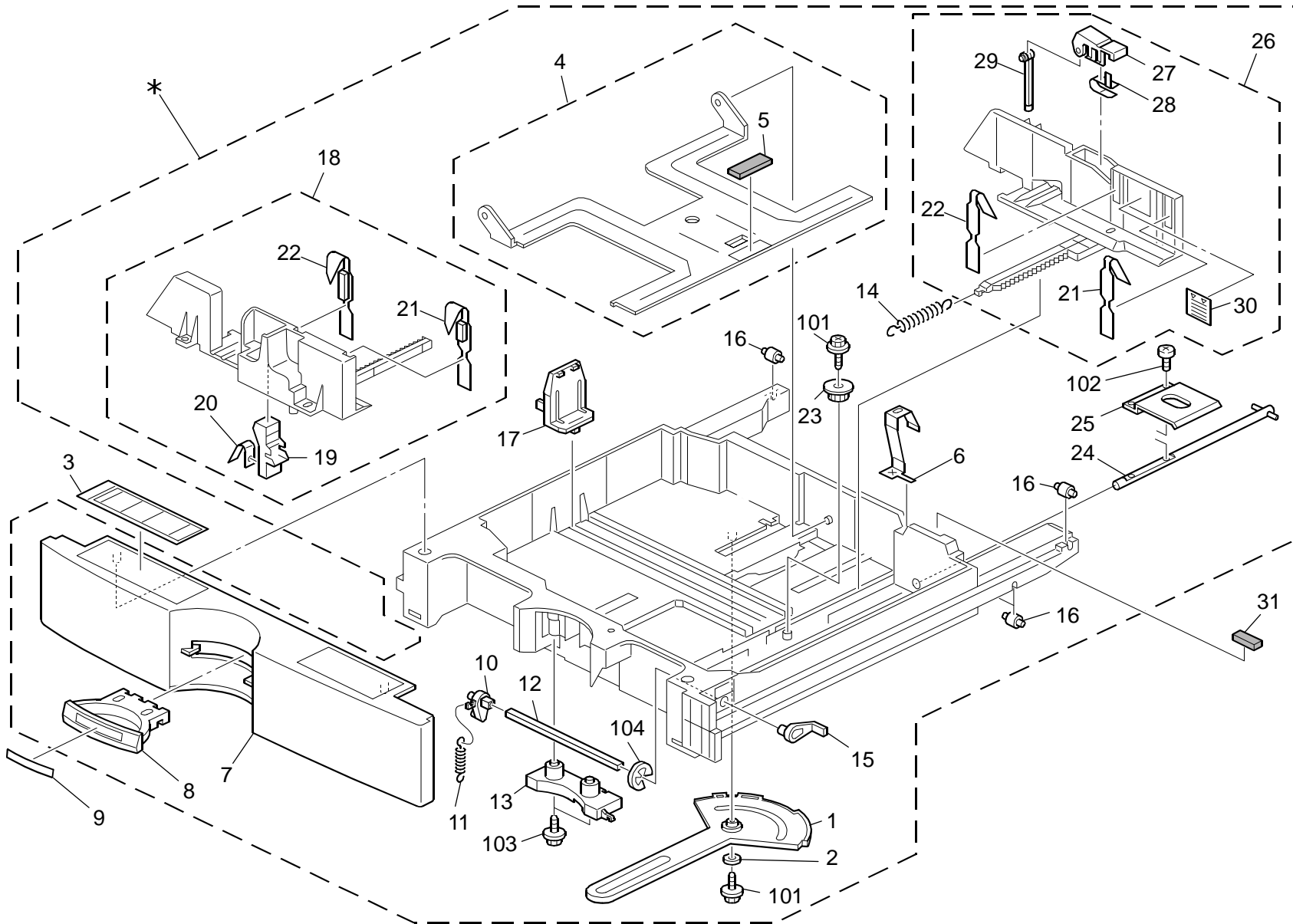


19.LD Unit (D009/D011/D012/D013/D091/D092)

Index No.	Part No.	Description	Q'ty Per Assembly
1	D009 1860	Imaging Unit	1
2	D009 1861	Cover - Polygon Motor	1
3	G029 1980	Decal - LD	1
4	AC01 5025	Shield Glass	1
5	AX06 0353	Polygon Mirror Motor - DC 16.8W	1
6	D009 5570	Harness - Imaging Unit	1
7	D009 5325	SYNC Detector Board	1
8	D009 1870	Laser Diode Unit	1
9	D009 5571	Harness: Laser Diode Control	1
10	AA06 3445	Spring - Laser Diode Unit	1
11	A232 1937	Positioning Pin - Laser Unit Ass'y	1

Index No.	Part No.	Description	Q'ty Per Assembly
101	0450 3010N	Tapping Screw - M3x10	
102	0450 3008N	Tapping Screw - M3x8	
103	0951 3008N	Screw: Polished Round: M3x8	
104	0951 3020N	Screw: Polished Round: M3x20	
105	0712 0030N	Hexagonal Nut: M3	
106	0454 3006Q	Tapping Screw - M3x6	

20. Paper Tray (D009/D011/D012/D013/D091/D092)

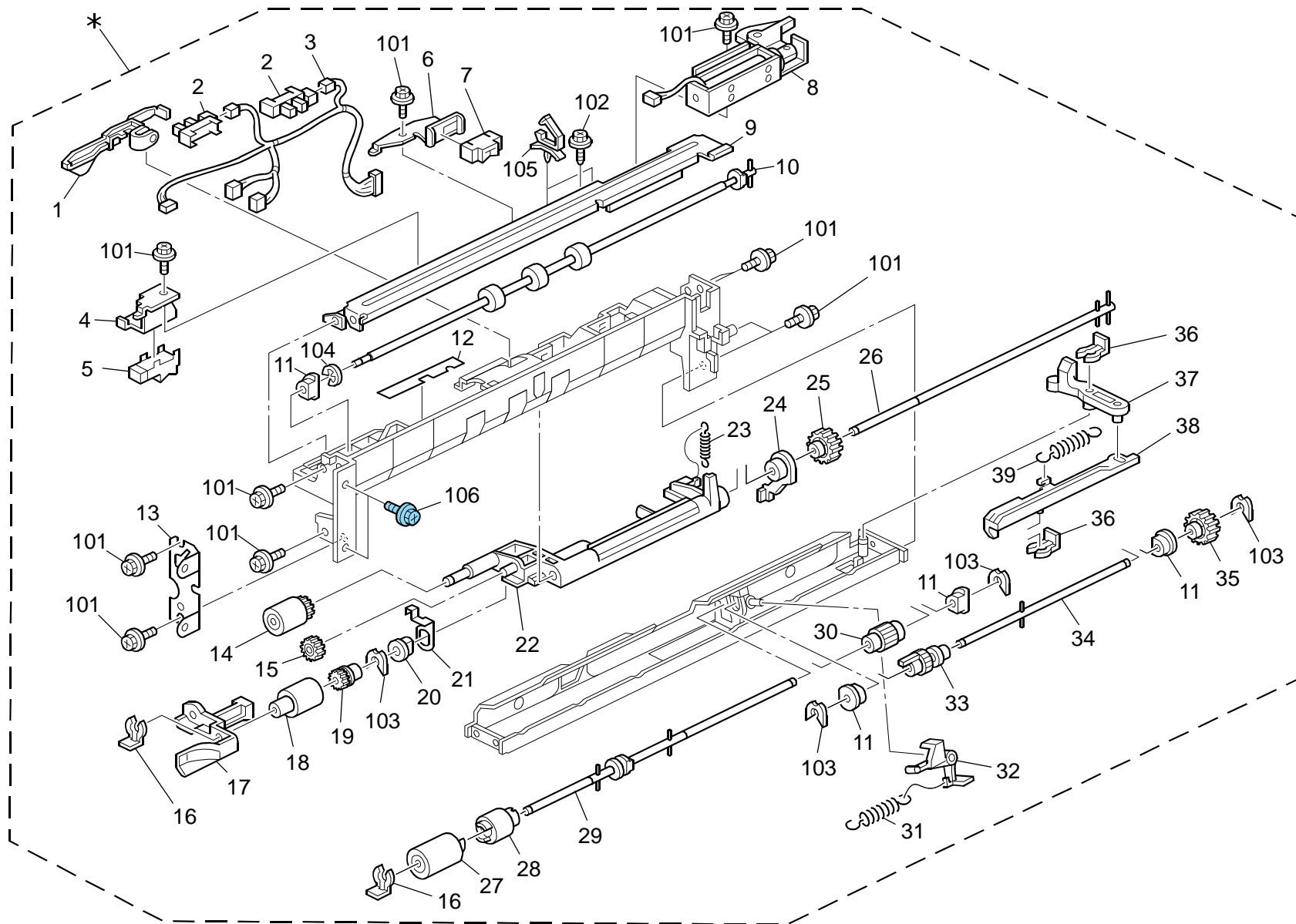


20.Paper Tray (D009/D011/D012/D013/D091/D092)

Index No.	Part No.	Description	Q'ty Per Assembly
*	B223 2901	Paper Tray: No.2: Ass'y	1
*	D029 2900	Paper Tray: No.2: Ass'y	1
1	B223 2910	Link - Paper Size Sensor	1
2	B223 2911	Spacer	1
3	B238 2523	Decal - Paper Set Direction No.2	1
4	B223 2940	Tray Bottom Plate	1
5	AF01 3006	Bottom Plate Pad	1
6	B223 2919	Ground Plate - Paper Tray No.2	1
7	B223 2946	Cover - Paper Tray No.2	1
8	B223 2860	Paper Tray Grip	1
9	B238 2526	Decal - Grip	1
9	B238 2527	Decal - Grip	1
10	B223 2862	Lever - Release Inner	1
11	AA06 1014	Tension Spring: Grip	1
12	D029 2863	Release Shaft	1
13	B223 2861	Grip Holder	1
14	AA06 1003	Tension Spring: Side Fence: Rear	1
15	B223 2868	Lever: Release: Paper Tray: Outer	1
16	A232 2987	Roller - Paper Tray	4
17	B223 2912	End Fence	1
18	B223 2920	Front Side Fence	1
19	B223 2923	Stopper Lever - Front	1
20	B004 2923	Spring Plate - Release Lever	1
21	B223 2935	Plate - Side Fence Right	2
22	B223 2934	Plate - Side Fence	2
23	B223 2936	Gear - 16Z	1
24	B223 2865	Rise No.1 Shaft	1
25	B223 2918	Rise Lever	1
26	B223 2930	Rear Side Fence	1
27	A267 2860	Rear Lever Stopper	1
28	A267 2857	Spring Plate - Side Fence	1
29	A267 2859	Side Fence Stopper	1
30	B223 2873	Decal - Side Fence Rear	1
31	B180 2782	Seal: Tray	1

Index No.	Part No.	Description	Q'ty Per Assembly
101	0450 4008N	Tapping Screw - M4x8	
102	0453 3008N	Binding Self Tapping Screw: 3x8	
103	0450 3012N	Tapping Screw: 3x12	
104	0720 0080E	Retaining Ring - M8	

21.Paper Feed Section (D009/D011/D012/D013/D091/D092)

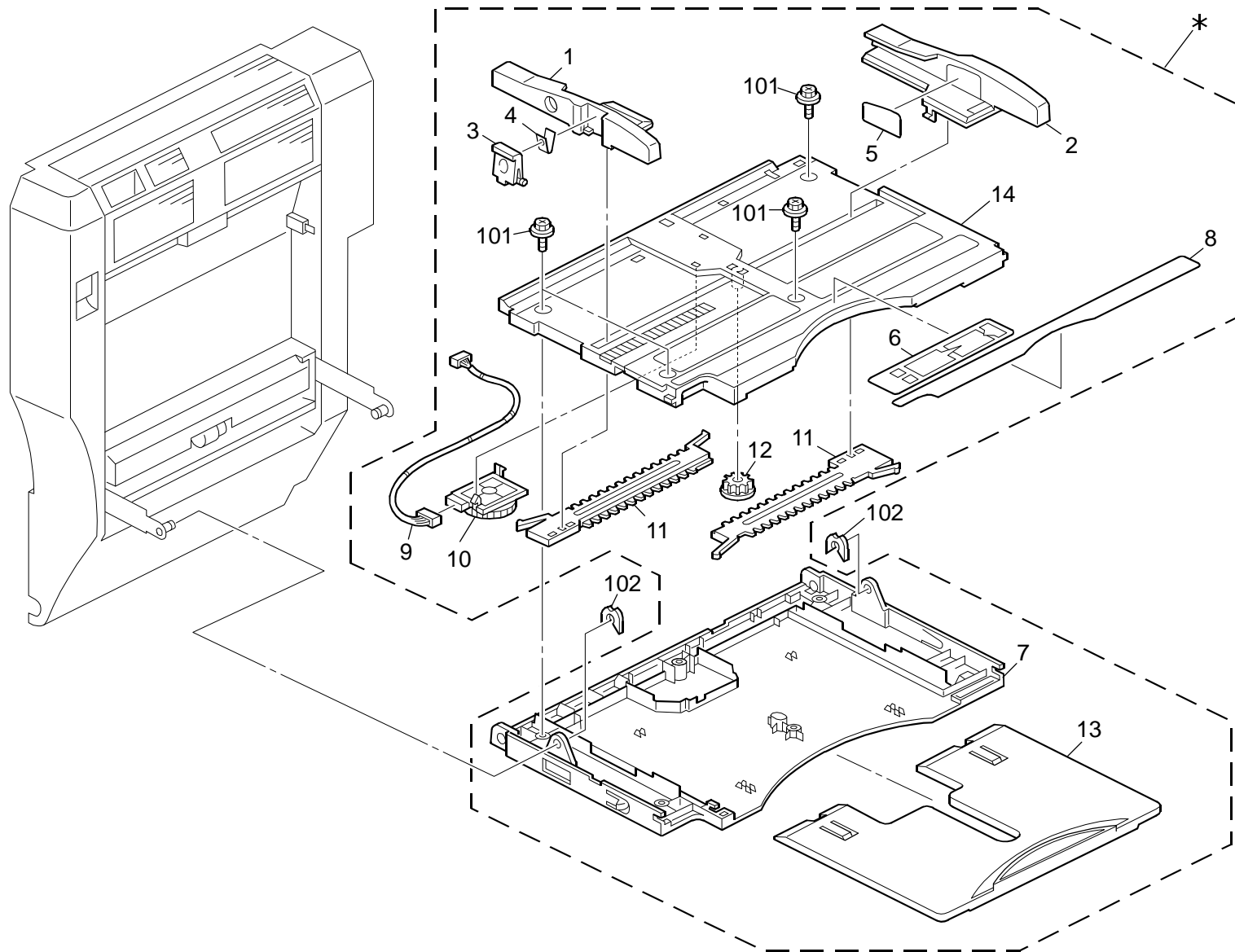


21.Paper Feed Section (D009/D011/D012/D013/D091/D092)

Rev. 6/6/2011

Index No.	Part No.	Description	Q'ty Per Assembly	Index No.	Part No.	Description	Q'ty Per Assembly
*	D009 2751	Paper Feed Unit	2	35	B223 2819	Gear - 22Z	1
1	B223 2767	Paper End Feeler	1	36	5206 2686	Snap Ring	1
2	AW02 0145	Photointerruptor: Flat	2	37	G065 2776	Release Lever	1
3	D029 2773	Harness - Paper Feed Unit	1	38	G065 2775	Link Lever	1
4	D089 2778	Bracket: Sensor: Feed	1	39	AA06 2259	Spring - Release	1
5	AW01 0128	Paper Feed Sensor	1				
6	D089 2781	Bracket: Sensor	1				
7	AW01 0122	Paper Feed Sensor	1				
8	B223 2780	DC Solenoid 24V	1				
9	B223 2776	Stay	1				
10	D009 2757	Transport Roller: Drive: Ass'y	1				
11	AA08 2143	Bushing - 6x10x6	4				
12	B223 2772	Harness Sheet	1				
13	B223 2786	Ground Plate - Front	1				
14	AF03 0090	Paper Feed Roller: Pickup	1				
15	AB01 1252	Gear - 20Z	1				
16	AA10 0014	Retaining Ring C - Separate	2				
17	B223 2829	Feed Guide	1				
18	AF03 1090	Paper Feed Roller: Feed	1				
19	AB01 1218	Gear - Roller Clutch	1				
20	GA08 2014	Bushing – DIA6: DIA 10:9 [TSB#051]	1				
21	B223 2765	Ground Plate - Feed	1				
22	B223 2761	Pickup Arm	1				
23	AA06 0691	Tension Spring	1				
24	G065 2767	Lever - Feed	1				
25	B223 2764	Gear-24Z	1				
26	B223 2762	Feed Shaft	1				
27	AF03 2090	Paper Feed Roller: Separate	1				
28	B004 2783	Torque Limiter	1				
29	B223 2810	Separate Driven Shaft	1	101	0451 3006N	Tapping Screw - 3x6	
30	AB01 0157	Gear: Separate: Drive	1	102	0450 3008N	Tapping Screw - M3x8	
31	AA06 0693	Tension Spring	1	103	0805 0089	Retaining Ring - M4	
32	G065 2774	Pressure Lever	1	104	0720 0040E	Retaining Ring - M4	
33	AB01 0156	Gear: Separate: Drive	1	105	1105 0511	Harness Clamp - LWS-0306ZC	
34	B223 2815	Separate Drive Shaft	1	106	0454 3008Q	Tapping Screw: 3x8	

22.By-pass Feed Section 1 (D009/D011/D012/D013/D091/D092)

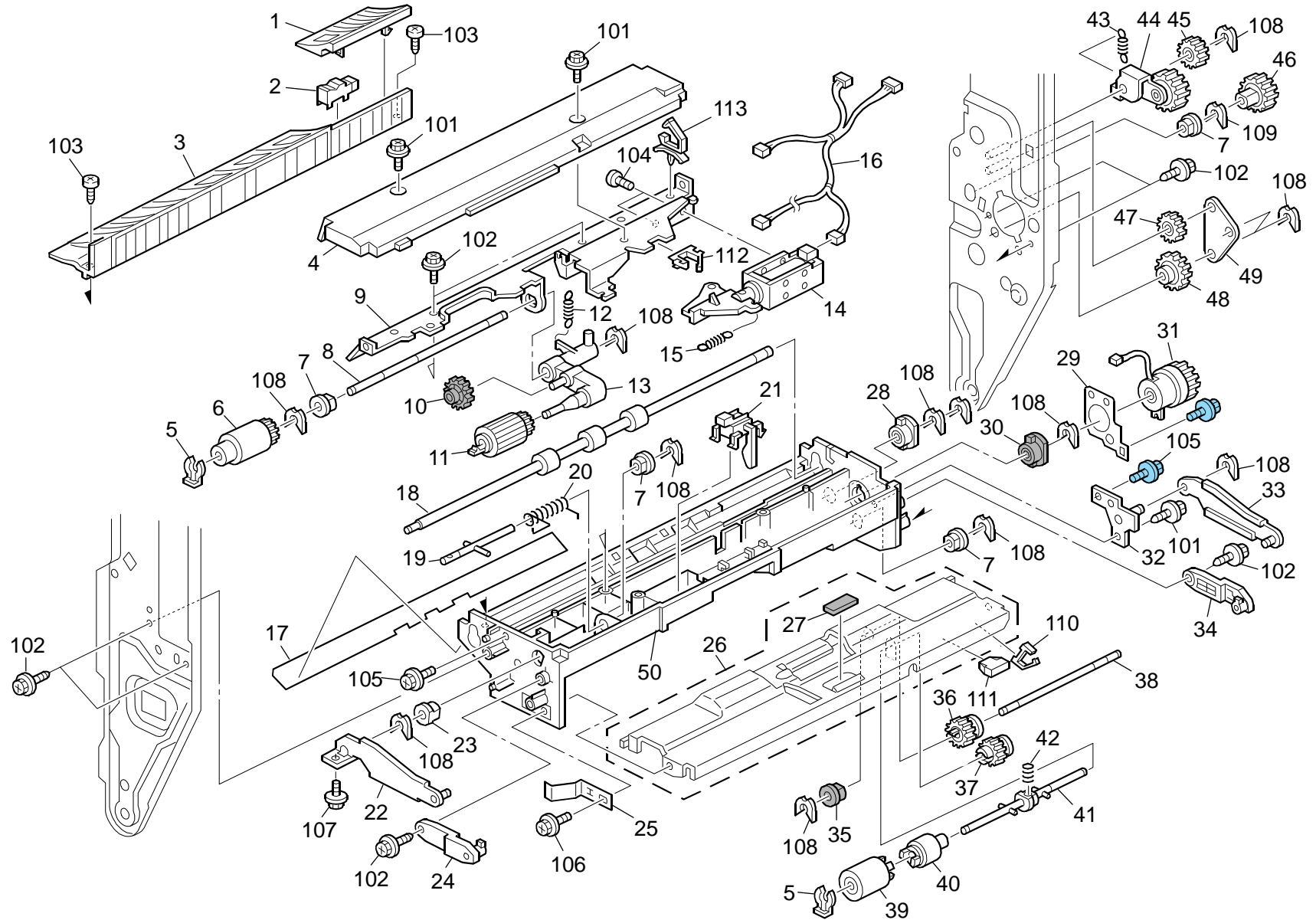


22.By-pass Feed Section 1 (D009/D011/D012/D013/D091/D092)

Index No.	Part No.	Description	Q'ty Per Assembly
*	B223 2700	Manual Feed Table: Exp: Ass'y	1
1	B223 2674	Side Fence: Front	1
2	B223 2673	Side Fence: Rear	1
3	B223 2726	Grip: Side Fence: Manual Feed	1
4	B223 2668	Spring Plate: Stopper	1
5	B223 2645	Decal: Side Fence	1
6	B223 2729	Decal: Paper Set Direction: Manual Feed: EXP	1
7	B223 2661	Cover: Manual Feed	1
8	B223 2644	Decal: Scale	1
9	B223 2669	Harness: Paper Size Sensor	1
10	AW50 0031	Paper Size Sensor	1
11	B223 2713	Rack: Manual Feed	2
12	B223 2666	Gear: 16Z	1
13	B223 2663	Extension Tray	1
14	B223 2662	Manual Feed Table	1
14	D029 2662	Manual Feed Table	1

Index No.	Part No.	Description	Q'ty Per Assembly
101	0450 3008N	Tapping Screw - M3x8	
102	0805 0089	Retaining Ring - M4	

23.By-pass Feed Section 2 (D009/D011/D012/D013/D091/D092)

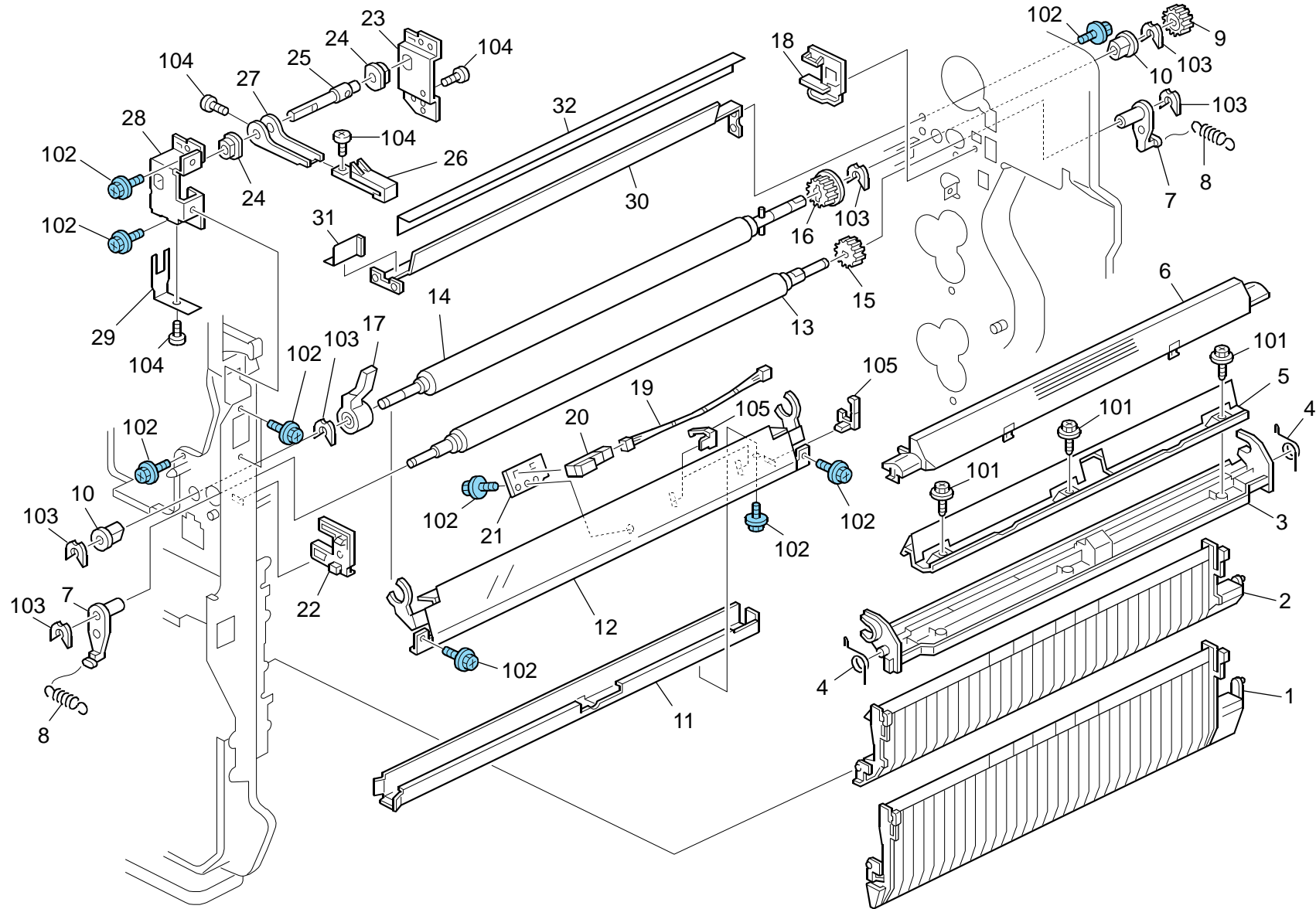


23.By-pass Feed Section 2 (D009/D011/D012/D013/D091/D092)

Rev. 2/17/2011

Index No.	Part No.	Description	Q'ty Per Assembly	Index No.	Part No.	Description	Q'ty Per Assembly
1	B223 2623	Cover: Guide Plate: Exit	1	36	AB01 1416	Gear - 20Z	1
2	AW01 0107	Paper Feed Sensor	1	37	B223 2608	Gear: Z16	1
3	B223 2622	Guide Plate: Exit	1	38	AA14 0778	Shaft: Separator: Drive	1
4	B223 2621	Cover: Manual Feed Unit	1	39	AF03 2046	Separation Roller - Manual Feed	1
5	AA10 0014	Retaining Ring C - Separate	2	40	G080 2900	Torque Limiter	1
6	AF03 1046	Feed Roller - Manual Feed	1	41	B180 2871	Shaft: Separator: Driven: Ass'y	1
7	AA08 2101	Bushing - 6x10x6	4	42	AA06 3499	Pressure Spring	1
8	AA14 0777	Shaft: Feed	1	43	AA06 0872	Spring	1
9	B223 2629	Stay: Feed	1	44	B223 2681	Arm: Tightener	1
10	AB01 1387	Gear - 23Z	1	45	AB01 1223	Idler Gear - 25Z	1
11	AF03 0049	Pick-up Roller	1	46	B223 2686	Gear: Z31	1
12	AA06 3568	Pressure Spring	1	47	B223 2683	Gear: 25Z	1
13	G060 2932	Pick-up Arm - Manual Feed	1	48	B223 2689	Gear: Z28	1
14	B223 2632	DC Solenoid: Pickup	1	49	B223 2696	Drum Stay: Drive	1
15	B223 2633	Spring: Release: Pickup	1	50	B223 2620	Housing: Manual Feed	1
16	B223 2659	Harness: Manual Feed	1				
17	D009 2552	Guide Sheet - Manual Feed	1				
18	D009 2555	Transport Roller - Duplex Exit	1				
19	B223 2634	Support Stay: Arm	1				
20	B223 2636	Torsion Spring: 27N	1				
21	AW50 0035	Paper End Sensor	1				
22	B223 2651	Arm: Manual Feed: Front	1	101	0451 3006N	Tapping Screw - 3x6	
23	AA08 2102	Bushing - 6x10x6	1	102	0450 3008N	Tapping Screw - M3x8	
24	B223 2657	Arm: Manual Feed: Short: Front	1	103	0452 3008N	Tapping Screw - M3x8	
25	B223 2607	Ground Plate: Reverse	1	104	0353 0040N	Screw - M3x4	
26	D009 2609	Guide Plate: Separator	1	105	0454 3008Q	Tapping Screw: 3x8	
27	AF01 3016	Bottom Plate Pad	1	106	0451 3008N	Tapping Screw - M3x8	
28	G080 2682	Bushing: Feed	1	107	0360 3006N	Screw - M3x6	
29	B223 2606	Ground Plate: Rear	1	108	0805 0089	Retaining Ring - M4	
30	AA08 3014	One-way Clutch	1	109	0805 0088	Retaining Ring - M6	
31	AX20 2007	Magnetic Clutch	1	110	1105 0522	Edge Saddle - LES0510	
32	B223 2637	Bracket: Arm: Manual Feed: Rear	1	111	1102 6248	Connector - 5P	
33	B223 2652	Arm: Manual Feed: Rear	1	112	1105 0551	Clamp: LES-0505	
34	B223 2658	Arm: Manual Feed: Short: Rear	1	113	1105 0511	Harness Clamp - LWS-0306ZC	
35	A259 6754	Bushing - 6 6mm	1				

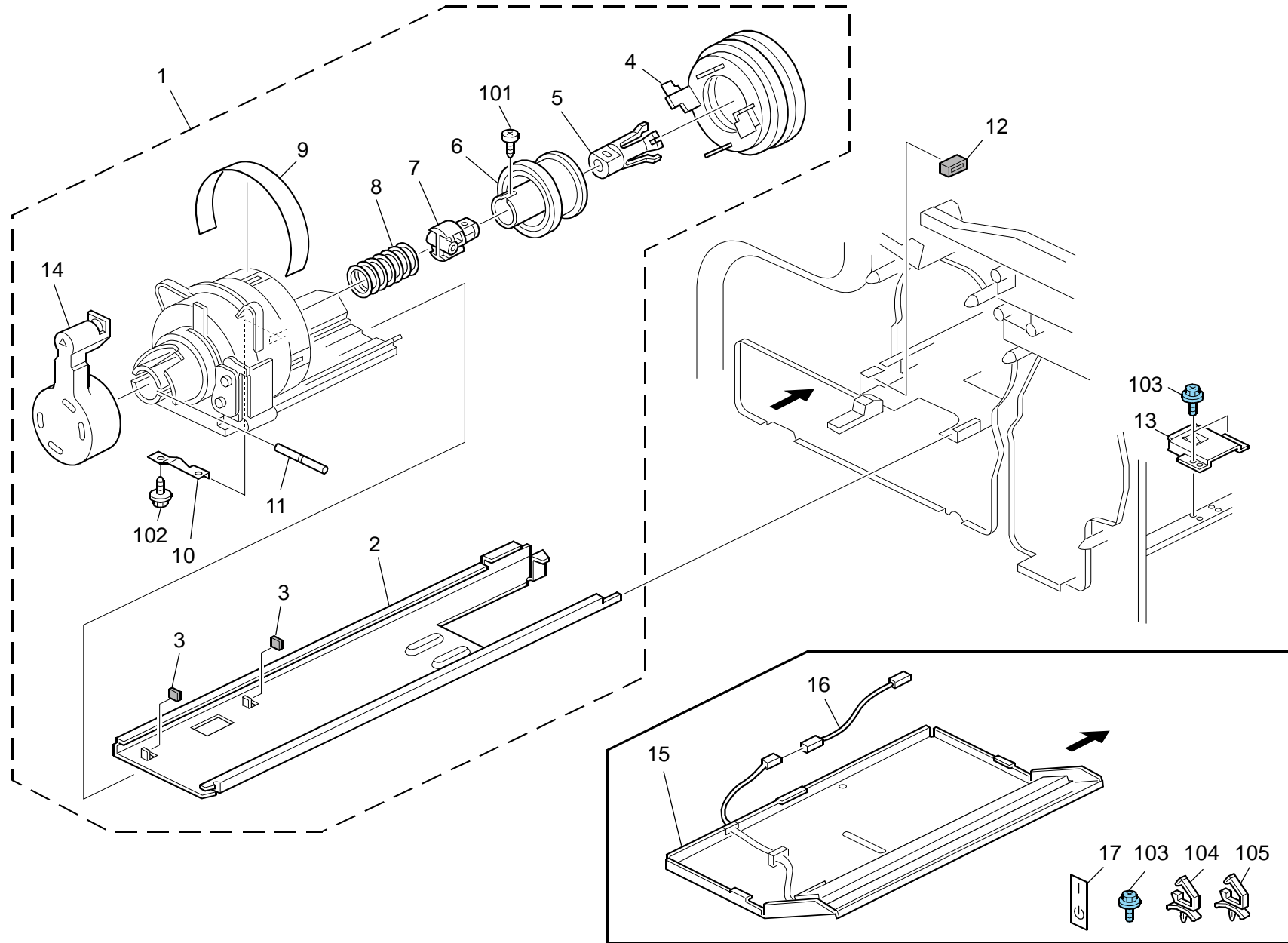
24. Paper Registration (D009/D011/D012/D013/D091/D092)



24.Paper Registration (D009/D011/D012/D013/D091/D092)

Index No.	Part No.	Description	Q'ty Per Assembly	Index No.	Part No.	Description	Q'ty Per Assembly
1	D009 2841	Guide Plate - No.2	1	104	0453 3006N	Tapping Screw - M3x6	
2	D009 2836	Guide Plate	1	105	1105 0568	Clamp: LWSS-0504	
3	D009 2617	Upper Guide Plate - Registration	1				
4	D009 2650	Torsion Spring - Registration	2				
5	D009 2638	Stay - Paper Dust Removal	1				
6	D009 2618	Cover - Paper Dust Removal	1				
7	D009 2607	Bushing - Driven Registration	2				
8	D009 2636	Tension Spring	2				
9	D009 2603	Gear - 28Z	1				
10	AA08 2074	Bushing - M8	2				
11	D009 2612	Case Supporter - Remove Paper Dust	1				
12	D009 2624	Lower Guide Plate - Registration	1				
13	D009 2606	Registration Roller - Driven	1				
14	D009 2600	Registration Roller - Drive	1				
15	B238 2655	Gear - 16Z	1				
16	D009 2602	Gear - 18Z	1				
17	D009 2604	Knob - Registration Roller	1				
18	D009 2623	Rear Positioning Guide	1				
19	D009 2626	Harness - Registration Sensor	1				
20	AW01 0107	Paper Feed Sensor	1				
21	D009 2614	Bracket - Registration Sensor	1				
22	D009 2622	Front Positioning Guide	1				
23	D009 2240	Rear Flange - Lock	1				
24	AA08 2078	Bushing - 8mm	2				
25	D009 2243	Shaft - Lock	1				
26	D009 2245	Stopper Cover - Stopper	1				
27	D009 2244	Stopper - Lock	1				
28	D009 2241	Front Flange - Lock	1				
29	D009 2242	Spring Plate - Lock	1				
30	D009 3858	Entrance Guide Plate - Transfer	1				
31	D009 3107	Seal: Shielding Plate	1				
32	D009 3108	Seal: Guide Plate	1				
101	0450 3006N	Tapping Screw - M3x6					
102	0454 3006Q	Tapping Screw - M3x6					
103	0805 0089	Retaining Ring - M4					

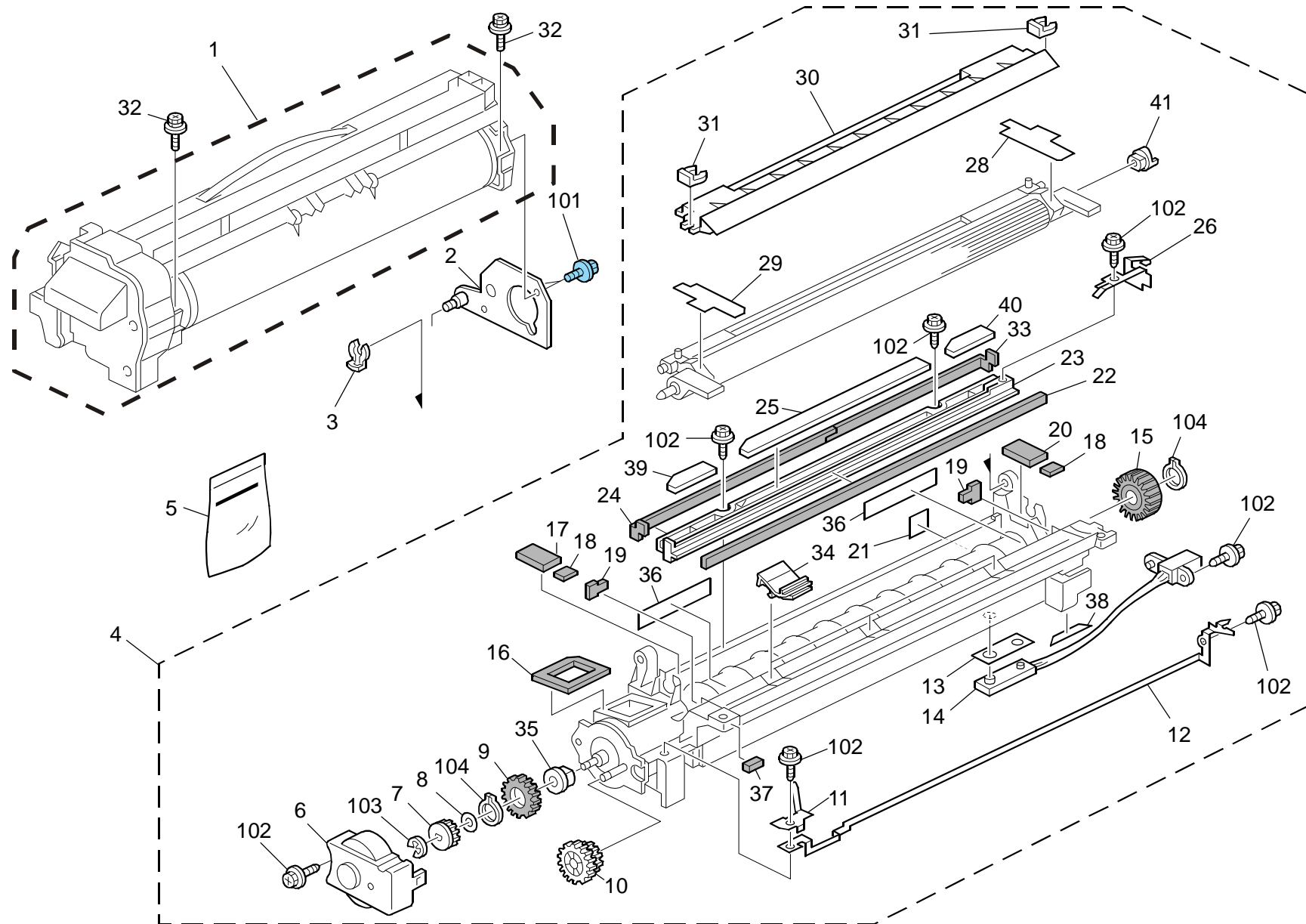
25.Toner Supply Unit (D009/D011/D012/D013/D091/D092)



25.Toner Supply Unit (D009/D011/D012/D013/D091/D092)

Index No.	Part No.	Description	Q'ty Per Assembly
1	D009 3209	Toner Supply Unit	1
2	B077 3262	Slide Rail: Toner Supply Unit	1
3	A232 3266	Seal - Slide Rail	2
4	A232 3240	Cover - Toner Bottle Ass'y	1
5	A134 3180	Bottle Chuck	1
6	A232 3252	Slider Ass'y	1
7	A232 3251	Chuck Shaft	1
8	AA06 3566	Pressure Spring	1
9	AA15 3083	Seal - Toner Supply Unit Cover	1
10	A232 3263	Spring Plate - Toner Bottle	1
11	D009 3265	Shaft - Slide	1
12	A232 3264	Stopper - Slide Rail	1
13	D009 5892	Heater Stopper	1
14	D009 3264	Cam: Handle	1
15	D011 5841	Heater: PCD: NA: Sub-ass'y	1
15	D011 5842	Heater: PCD: EU: Sub-ass'y	1
16	D009 5611	Harness: AC: Heater	1
17	D011 1252	Decal: Main Switch: On-standby	1
17	D011 1253	Decal: Main Switch: On-standby: EU	1
101	0452 3010N	Binding Self-tapping Screw: 3x10	

Index No.	Part No.	Description	Q'ty Per Assembly
102	0456 3008N	Tapping Screw - M3x8	
103	0454 3006Q	Tapping Screw - M3x6	
104	1105 0487	Harness Clamp	
105	1105 0516	Clamp	

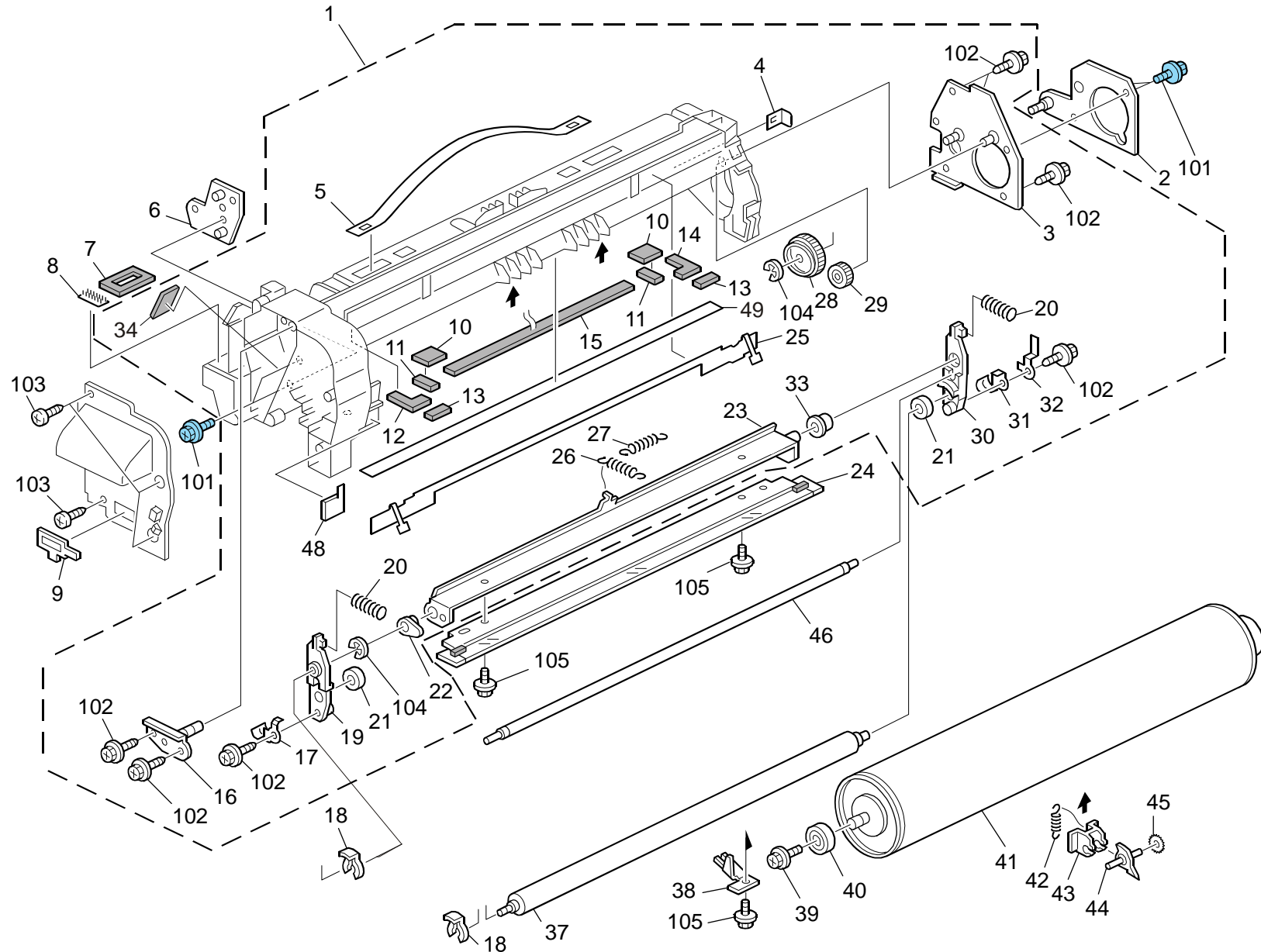


26.PCDU 1 (D009/D011/D012/D013/D091/D092)

Rev. 12/27/2011

Index No.	Part No.	Description	Q'ty Per Assembly
1	D009 2110	PCU	1
2	D009 2389	Rear Side Plate - Coupling	1
3	G065 2681	Snap Ring - M6	1
4	D009 2301	Development Unit	1
5	B296 9640	Developer - Black	1
6	A232 3155	Front Cover - Development Unit	1
7	AB01 4061	Gear - 13Z	1
8	A232 3077	Spacer - M5	1
9	AB01 4060	Gear - 21Z	1
10	AB01 4062	Gear - 17Z/25Z	1
11	D009 3068	Front Bias Terminal	1
12	D009 3069	Rear Bias Terminal	1
13	A232 3067	Tape - TD Sensor	1
14	B213 3065	Density Sensor: Development: C4	1
15	D009 3078	Joint- Paddle	1
16	D009 3066	Entrance Seal - Toner Supply	1
17	D009 3205	Seal: Side Plate: Front	1
18	AA15 3095	Shield - Development - Center	2
19	B082 3123	Shield: Case: Development: Front Rear: C3	2
20	D009 3206	Seal: Side Plate: Rear	1
21	D009 3072	Seal - Density Sensor Harness	1
22	D009 3053	Upper Case Seal	1
23	D009 3070	Upper Cover - Development Unit	1
24	D009 3204	Front Seal - Upper Cover	1
25	D009 3086	Development Filter	1
26	D009 3162	Ground Plate: Doctor Blade	1
28	B082 3122	Shield: Development Sleeve: Rear: C3	1
29	B082 3121	Shield: Development Sleeve: Front: C3	1
30	D009 3152	Entrance Seal Ass'y	1
31	5206 2686	Snap Ring	2
32	D009 2480	Screw - M3x10	2
33	D009 3203	Rear Seal - Upper Cover	1
34	D009 3102	Upper Cap - Development Case	3
35	AA08 0281	Bushing - 12x18x5.5	1
36	D009 3101	Seal: Development	2

Index No.	Part No.	Description	Q'ty Per Assembly
37	D009 3106	Sponge	1
38	D009 3178	Seal: Slide	1
39	D009 3084	Development Filter: Front	1
40	D009 3085	Development Filter: Rear	1
41	D009 3124	Joint: Development Sleeve	1
101	0454 3006Q	Tapping Screw - M3x6	
102	0456 3008N	Tapping Screw - M3x8	
103	0720 0030E	Retaining Ring - M3	
104	0725 0110E	C Ring - M11	



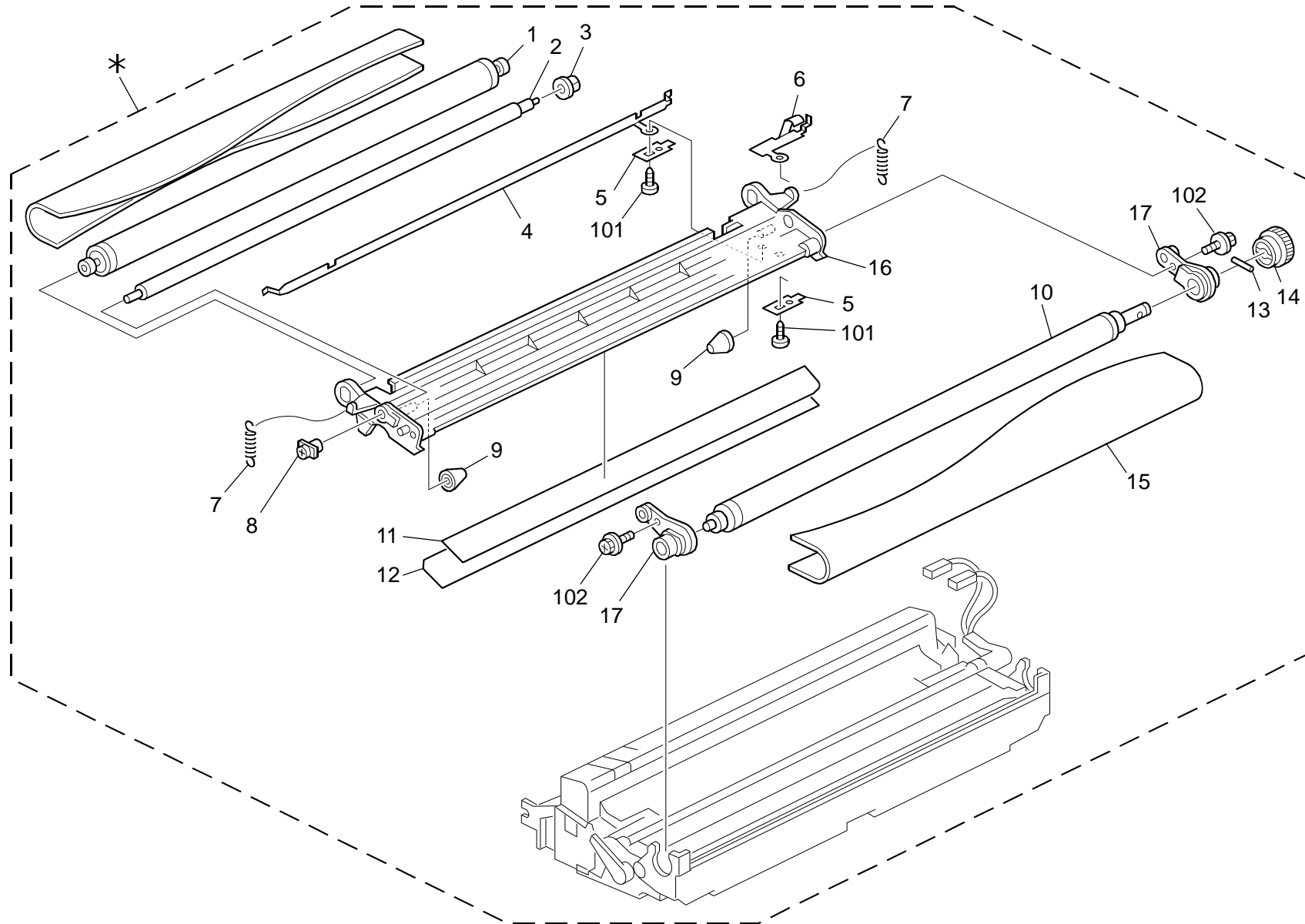
27.PCDU 2 (D009/D011/D012/D013/D091/D092)

Rev. 5/9/2012

Index No.	Part No.	Description	Q'ty Per Assembly
1	D129 2212	Frame: PCU: Upper: C2: Ass'y	1
2	D009 2389	Rear Side Plate - Coupling	1
3	D009 2392	Side Plate: Idler Ass'y	1
4	D009 2317	Electrode Plate - Charge	1
5	D009 2445	Handle - PCU	1
6	D009 2380	Front Side Plate - Coupling	1
7	D009 2279	Seal: Toner Supply: Entrance: Upper	1
8	D009 3267	Seal: Toner Supply: Entrance: Front	1
9	D009 2633	Cap - Toner Supply	1
10	A232 2399	Seal - Blade 13x9.5x3	2
11	D009 2205	Seal: Blade: Upper Rear: Small	2
12	D009 2201	Seal: Drum: Front	1
13	D009 2203	Seal: Drum: Entrance	2
14	D009 2202	Seal: Drum: Rear	1
15	D009 2204	Seal: Blade: Upper: Case	1
16	B213 2316	Stud: Contact Point: Cleaning	1
17	G065 2354	Electrode Plate: Charge: Front	1
18	G065 2681	Snap Ring - M6	2
19	D009 2331	Front Arm - Pressure/Charge	1
20	AA06 3648	Pressure Spring	2
21	A232 2421	Bushing - 6x10x3	2
22	A232 2315	Front Bushing - Cleaning Bracket	1
23	B213 2312	Bracket: Cleaning Blade	1
24	D009 2351	Cleaning Blade	1
25	D009 2318	Spring Plate - Electrode	1
26	AA06 2348	Pressure Spring	1
27	AA06 2300	Tension Spring	1
28	AB01 1380	Cam - Cleaning Blade	1
29	AB01 1379	Gear - 19Z	1
30	D009 2336	Rear Arm - Pressure/Charge	1
31	G065 2308	Electrode Plate: Charge: Rear	1
32	B082 2333	Terminal: Brush Roller	1
33	A232 2318	Collar - Cleaning	1
34	D009 2426	Seal - 24.5x68.5	1
37	AD02 7012	Roller: Charge: Apply	1

Index No.	Part No.	Description	Q'ty Per Assembly
38	D009 2303	Drum Hold Plate	1
39	AA14 3549	Screw: DIA10: M3x8	1
40	A232 3553	Ball Bearing - 8x16x5	1
41	D009 9510	OPC Drum	1
42	AA06 2310	Pressure Spring	1
43	A232 2340	Holder - Pick-Off Pawl	1
44	AD02 5021	Pick-Off Pawl	1
45	A232 2339	Spur	1
46	G790 2329	Brush Roller: Cleaner: Charge: AMABUKI: Ass'y	1
48	D009 3104	Seal: Level	1
49	D009 2214	Separation Plate: Case: Blade: Upper	1
101	0454 3006Q	Tapping Screw - M3x6	
102	0456 3008N	Tapping Screw - M3x8	
103	0457 3008N	Tapping Screw - M3x8	
104	0720 0040E	Retaining Ring - M4	
105	0360 3006N	Screw - M3x6	

28. Transfer Belt Unit 1 (D009/D011/D012/D013/D091/D092)



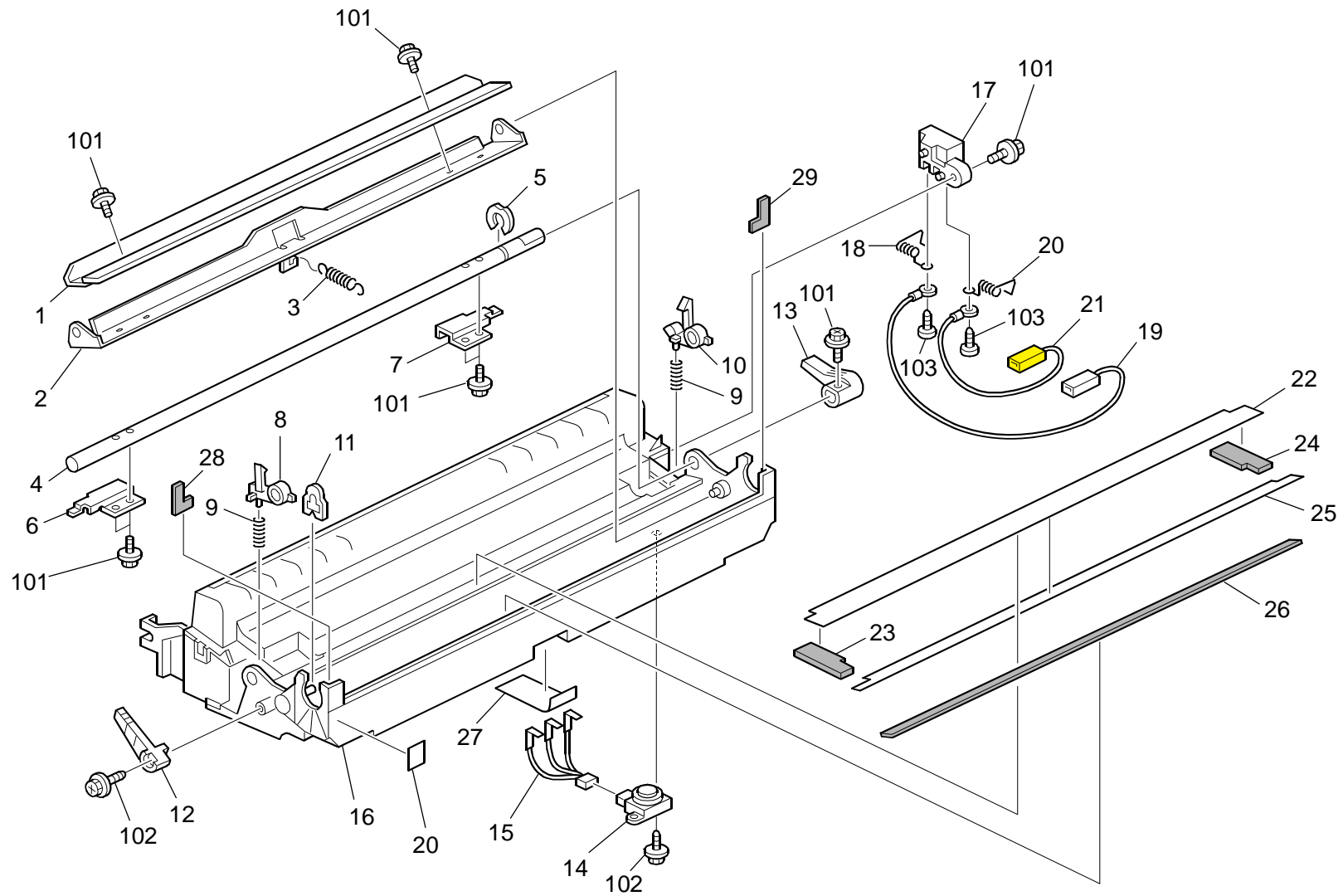
28.Transfer Belt Unit 1 (D009/D011/D012/D013/D091/D092)

Rev. 3/2/2012

Index No.	Part No.	Description	Q'ty Per Assembly
*	D009 3806	Transfer Unit	1
1	A232 3885	Driven Roller - Transfer Unit	1
2	B213 3889	Roller: Bias	1
3	AA08 2054	Bushing - M4	1
4	D009 3935	Earth Terminal - Transfer Belt	1
5	D009 3937	Terminal - Transfer Belt	1
6	D009 3934	Bias Terminal - Transfer Belt	1
7	AA06 1020	Spring: Release: Transfer Belt	2
8	D009 3890	Front Bushing - Bias Roller	1
9	A232 3926	Transfer Belt Roller	2
10	D009 3894	Drive Roller - Transfer Belt	1
11	D009 3954	Sheet: Prevent fence: Transfer Belt	1
12	D009 3948	Scraper - Drive Roller	1
13	G024 1314	Pulley Pin	1
14	AB01 1282	Gear - 31Z	1
15	A232 3880	Transfer Belt	1
16	D009 3883	Frame - Transfer Belt	1
17	D009 3893	Arm - Transfer Belt	2

Index No.	Part No.	Description	Q'ty Per Assembly
101	0452 3006N	Binding Self-tapping Screw: 3x6	
102	0451 3006N	Tapping Screw - 3x6	

29. Transfer Belt Unit 2 (D009/D011/D012/D013/D091/D092)



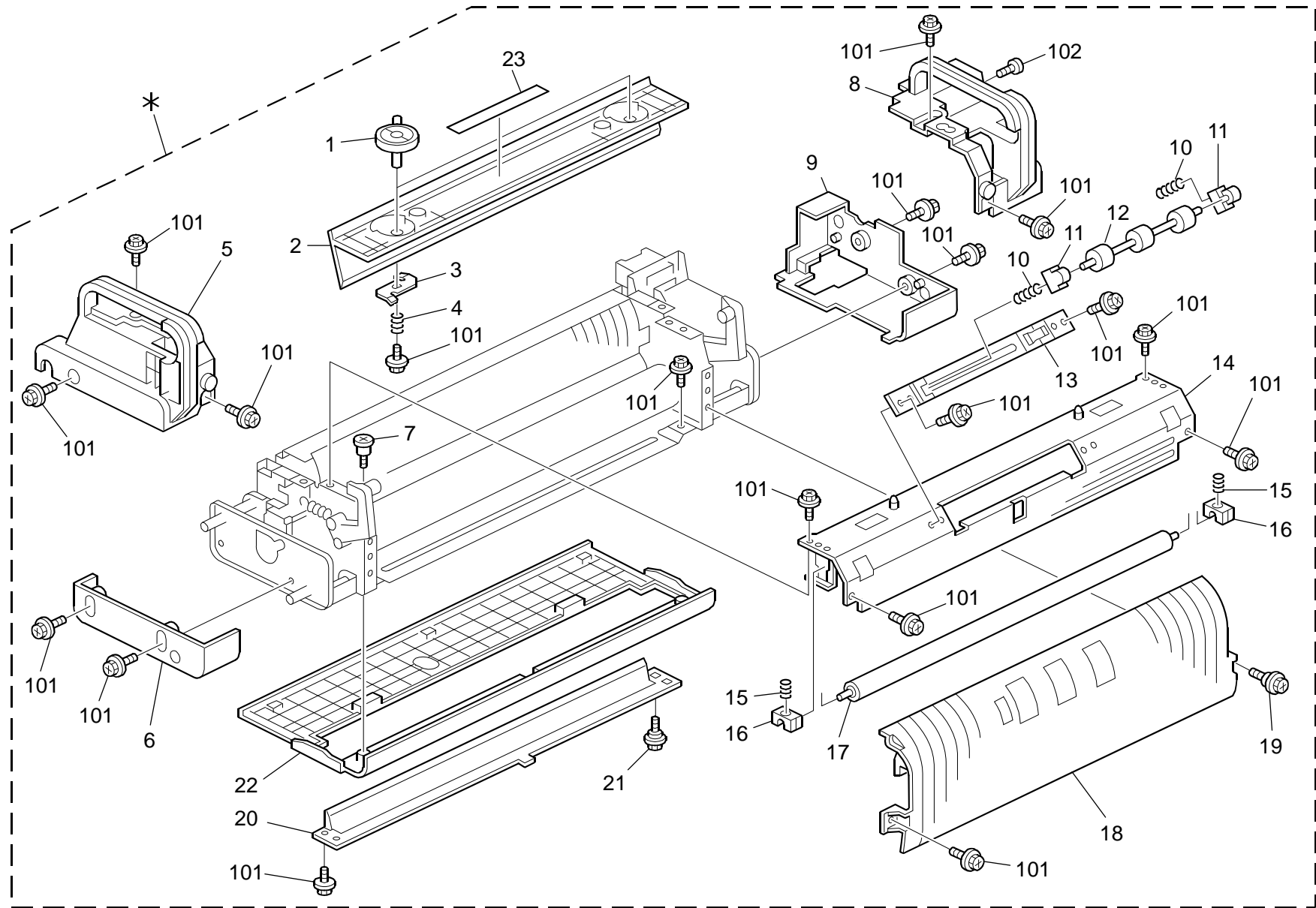
29. Transfer Belt Unit 2 (D009/D011/D012/D013/D091/D092)

Rev. 10/03/2012

Index No.	Part No.	Description	Q'ty Per Assembly
1	AD04 1135	Cleaning Blade - Transfer Belt	1
2	D009 3943	Bracket: Cleaning Blade: Transfer Belt	1
3	AA06 1100	Spring: Pressure: Cleaning Blade	1
4	D009 3919	Release Lever Shaft	1
5	805 0106	Retaining Rings-E: Silencer: Dia6	1
6	D009 3920	Front Release Plate	1
7	D009 3921	Rear Release Plate	1
8	D009 3916	Front Lever - Transfer Belt	1
9	AA06 3447	Spring - Transfer Belt	2
10	D009 3917	Rear Lever - Transfer Belt	1
11	G102 3837	Stopper: Blade	1
12	D009 3899	Set Lever - Transfer Unit	1
13	D009 3918	Release Lever	1
14	GW23 0001	Toner End Sensor	1
15	D009 3872	Harness - Used Toner Sensor	1
16	D009 3803	Case - Transfer Unit	1
17	D009 3992	Receptacle Housing - Transfer Unit	1
18	AA06 6380	Spring	1
19	D009 3876	Earth Harness - Transfer Unit	1
20	AA06 6381	Spring	1
21	D009 3875	Harness - Transfer Unit Bias	1
22	D009 3907	Seal - Transfer Belt Exit	1
23	D009 3953	Front Seal - Cleaning Blade	1
24	D009 3952	Rear Seal - Cleaning Blade	1
25	D009 3906	Seal - Rear Transfer Exit	1
26	B082 3867	Shield: Remove Paper Dust	1
27	AA15 0423	Seal - Cleaning Pressure	1
28	A232 3909	Seal - Front Case	1
29	A232 3908	Seal - Rear Case	1
30	B234 3177	Decal: Positioning Display: Development	1

Index No.	Part No.	Description	Q'ty Per Assembly
101	0451 3006N	Tapping Screw - 3x6	
102	0456 3008N	Tapping Screw - M3x8	
103	0452 3008N	Tapping Screw - M3x8	

30.Fusing Unit 1 (D009/D011/D012/D013/D091/D092)



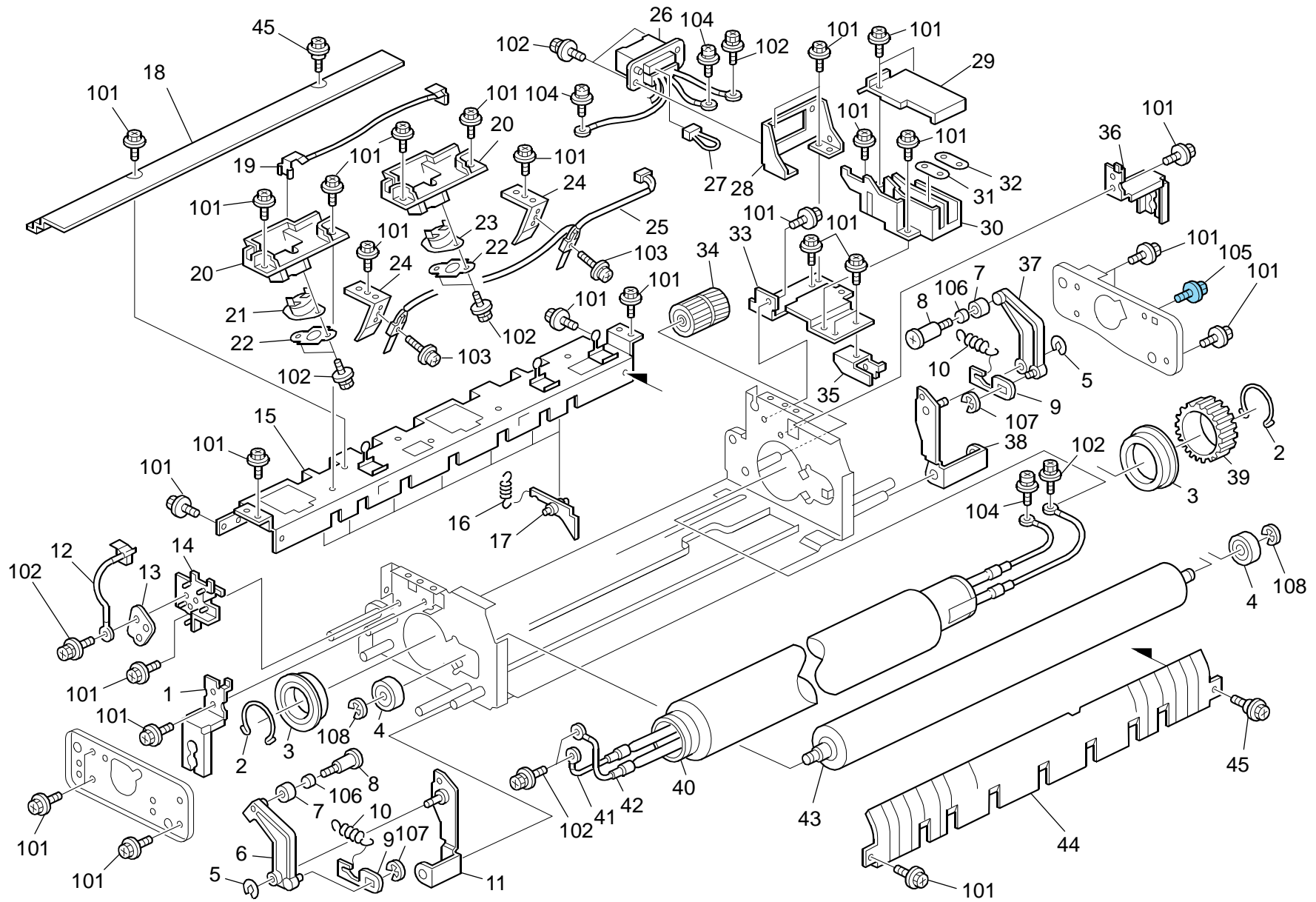
30.Fusing Unit 1 (D009/D011/D012/D013/D091/D092)

Rev. 12/7/2012

Index No.	Part No.	Description	Q'ty Per Assembly
*	D130 4002	Fusing Unit: NA: Service: Ass'y	1
*	D011 4003	Fusing Unit - 230V	1
1	D009 4244	Knob	2
2	D009 4243	Exit Guide - Pressure Roller Unit	1
3	D009 4248	Knob Bracket	1
4	AA06 1023	Compression Spring - Knob	1
5	D129 4059	Fusing Cover - Upper Front	1
6	D129 4055	Fusing Cover - Lower Front	1
7	B223 1317	Screw	1
8	D129 4062	Fusing Cover - Upper Rear	1
9	D009 4057	Fusing Cover - Lower Rear	1
10	AA06 1022	Spring - Driven Roller	2
11	AA08 0352	Bushing - Driven Roller	2
12	D009 4664	Driven Roller	1
13	D009 4238	Bracket - Driven Roller	1
14	D009 4225	Stay - Pressure Roller Unit	1
15	AA06 1099	Compression Spring: Cleaning Roller	2
16	AA08 0351	Bushing - Cleaning Roller	2
17	AE04 2098	Cleaning Roller: Ass'y	1
18	D009 4066	Fusing Cover - Duplex Guide	1
19	AA14 3520	Shoulder Screw - M3	1
20	D009 4069	Entrance Guide Plate - Fusing	1
21	AA14 3520	Shoulder Screw - M3	1
22	D009 4053	Fusing Cover - Lower Middle	1
23	D129 4242	Decal: H-Temp Warning	1

Index No.	Part No.	Description	Q'ty Per Assembly
101	0360 3006N	Screw - M3x6	
102	0353 0050N	Screw-M3x5	

31.Fusing Unit 2 (D009/D011/D012/D013/D091/D092)

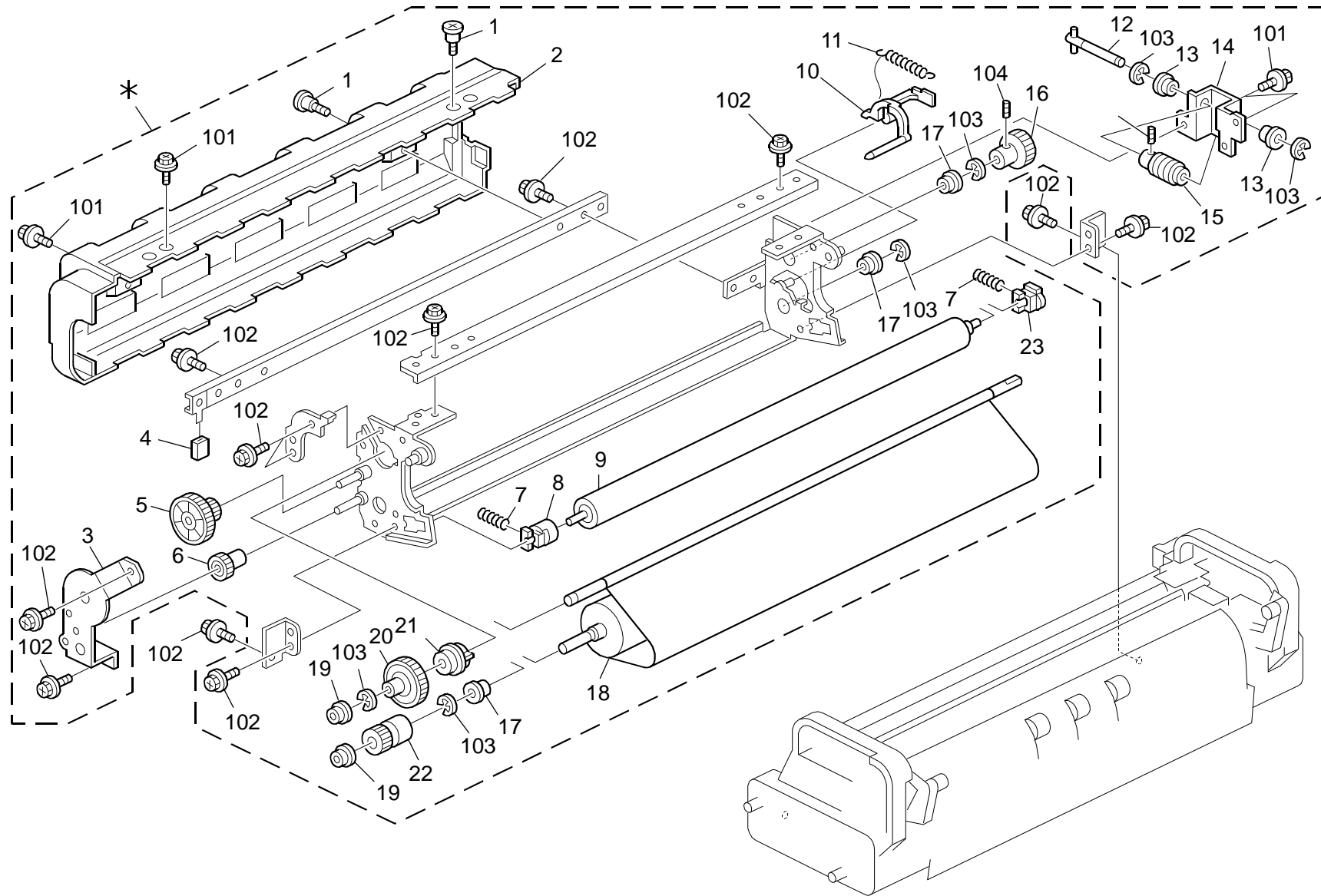


31.Fusing Unit 2 (D009/D011/D012/D013/D091/D092)

Index No.	Part No.	Description	Q'ty Per Assembly
1	D009 4126	Front Heater Bracket	1
2	D009 4156	Retaining Rings-C - Hot Roller	2
3	AE03 0099	Ball Bearing - 30x42x7	2
4	AE03 0098	Ball Bearing - 8x22x7	2
5	B238 4166	End Ring: Spring: DIA4	2
6	D009 4271	Front Lever - Pressure Release	1
7	B238 4194	Roller: Lever: Pressure	2
8	AA14 3792	Screw: Drawer	2
9	D009 4274	Pressure Lock Lever	2
10	AA06 1024	Tension Spring - Pressure	2
11	D009 4275	Front Pressure Lever	1
12	D009 4196	Harness 1 - Thermostat	1
13	D009 4143	Electrode Plate 3	1
14	D009 4135	Terminal - AC	1
15	D009 4152	Stay: Fusing Sub-unit: Fusing Exit: Peen	1
16	AA06 0948	Tension Spring: Stripper Pawls: 50mN	7
17	AE04 4099	Stripper Pawls	7
18	D009 4165	Fusing Unit Cover	1
19	D009 4197	Harness 2 - Thermostat	1
20	D009 4193	Housing - Thermostat	2
21	AW11 0098	Thermostat - 220C	1
22	D009 4195	Spacer - Thermostat	2
23	AW11 0099	Thermostat - 219C	1
24	D009 4178	Thermistor Bracket	2
25	D009 4177	Thermistor	1
26	D009 4099	Harness - Fusing Unit	1
27	D009 4097	Harness - Set Sensor NA	1
27	D009 4098	Set Sensor Harness - 230V	1
28	D009 4125	Connector Bracket 2	1
29	D009 4132	Terminal Cover	1
30	D009 4131	Terminal - AC/DC	1
31	D009 4142	Electrode Plate 2	1
32	D009 4141	Electrode Plate 1	1
33	D009 4124	Connector Bracket 1	1
34	AB01 0172	Gear - 24Z/25Z	1

Index No.	Part No.	Description	Q'ty Per Assembly
35	D009 4123	Bracket: Side Plate: Auxiliary	1
36	D009 4127	Rear Heater Bracket	1
37	D009 4291	Rear Lever - Pressure Release	1
38	D009 4295	Front Pressure Lever	1
39	AB01 0171	Gear - 40Z	1
40	AE01 0099	Hot Roller	1
41	AX43 0112	Heater - 120V 550W	1
41	AX43 0113	Heater - 230V 550W	1
42	AX44 0252	Heater - 120V 750W	1
42	AX44 0253	Heater - 230V 750W	1
43	AE02 0199	Pressure Roller	1
44	D009 4163	Exit Guide - Hot Roller Unit	1
45	AA14 3520	Shoulder Screw - M3	2
101	0360 3006N	Screw - M3x6	
102	0804 6123	Hexagonal Bolt: W/Washer: M3x8	
103	0954 3010N	Screw: Polished Round/Spring: M3x10	
104	0957 4008N	Screw: Small Round/Spring: M4x8	
105	0454 3006Q	Tapping Screw - M3x6	
106	0733 0408	Bushing: 4x8	
107	0720 0030E	Retaining Ring - M3	
108	0720 0080E	Retaining Ring - M8	

32.Fusing Unit 3 (D009/D011/D012/D013/D091/D092)



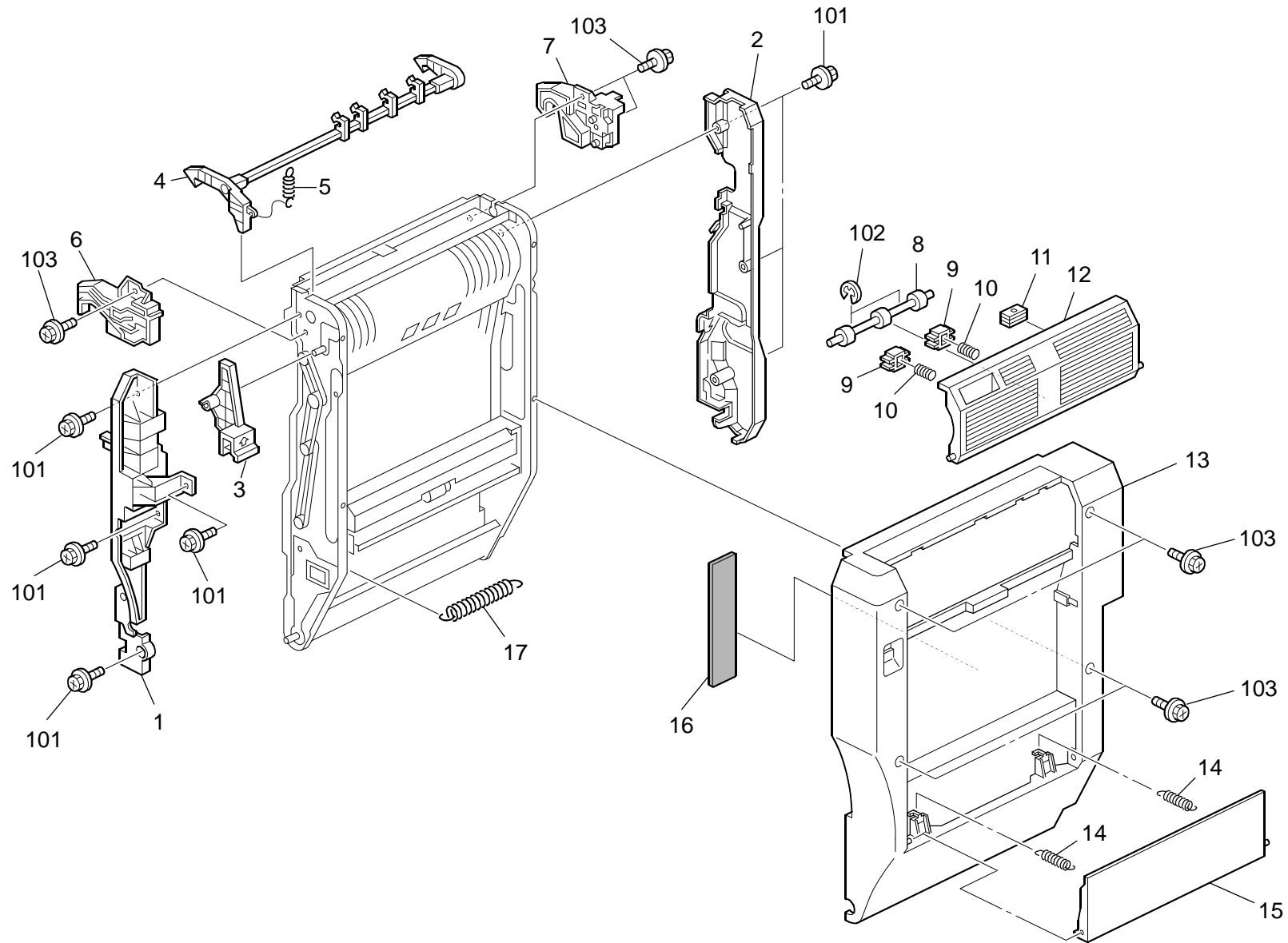
32.Fusing Unit 3 (D009/D011/D012/D013/D091/D092)

Rev. 06/06/2012

Index No.	Part No.	Description	Q'ty Per Assembly
*	D129 4305	Cleaning Unit: Ass'y	1
1	AA14 3812	Screw - Scale	2
2	D129 4307	Cover: Cleaning Unit	1
3	D009 4369	Bracket - Cleaning Unit Drive	1
4	B065 4247	Brake Pad	1
5	AB01 0174	Gear - 20Z/50Z	1
6	AB01 0175	Gear - 24Z	1
7	AA06 3886	Spring	2
8	D009 4355	Roller Clutch	2
9	AE04 0099	Holder Roller	1
10	D009 4393	Feeler - Web	1
11	B065 4221	Feeler Spring	1
12	D009 4378	Worm Gear Shaft	1
13	AA08 0355	Bushing - 7mm	2
14	D009 4377	Worm Gear Bracket	1
15	AB01 0178	Worm Gear	1
16	AB01 0177	Gear - 32Z	1
17	AA08 0356	Bushing - 6mm	3
18	AE04 5099	Cleaning Web	1
19	AA08 0354	Bushing - 6mm	2
20	AB01 0173	Gear - 60Z	1
21	D009 4388	Roller Clutch	1
22	AB01 0176	Gear - 24Z	1
23	AA08 0353	Bushing - 4mm	1

Index No.	Part No.	Description	Q'ty Per Assembly
101	0353 0050N	Screw-M3x5	
102	0360 3006N	Screw - M3x6	
103	0720 0030E	Retaining Ring - M3	
104	0573 0030E	Hexagonal Set Screw - M3x3	

33. Duplex Unit 1 (D009/D011/D012/D013/D091/D092)

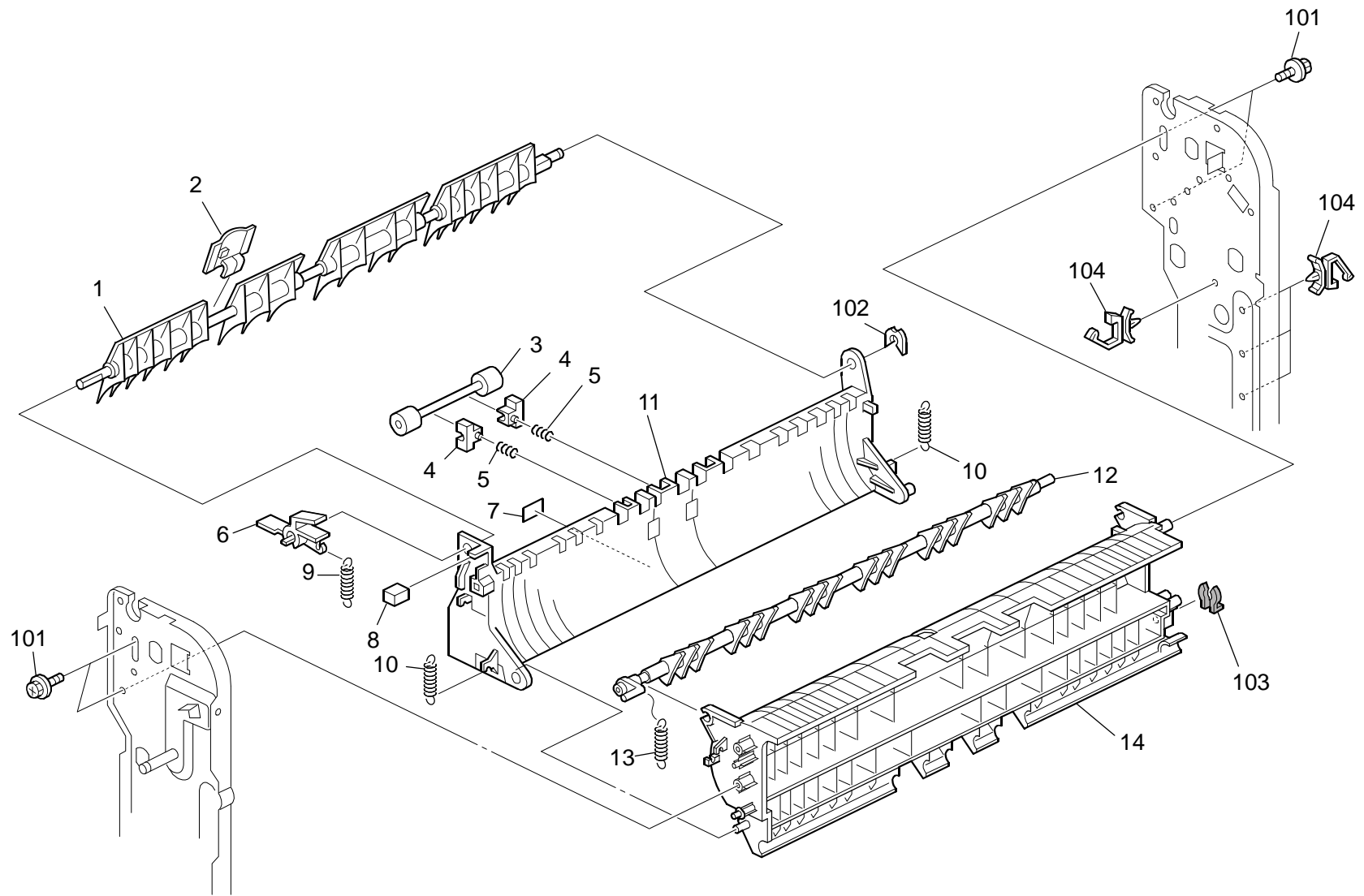


33. Duplex Unit 1 (D009/D011/D012/D013/D091/D092)

Index No.	Part No.	Description	Q'ty Per Assembly
1	D009 4534	Front Inner Cover - Duplex	1
2	D009 4533	Rear Inner Cover - Duplex	1
3	B223 4579	Grip: Open And Close: Duplex Unit	1
4	D009 4590	Stopper Hook - Duplex Unit	1
5	D009 4532	Tension Spring - Stopper Hook	1
6	D009 4537	Front Release Arm	1
7	D009 4538	Rear Release Arm	1
8	D009 4664	Driven Roller	1
9	AA08 0254	Bushing - M4	2
10	B223 4538	Compression Spring	2
11	AG07 0514	Magnet Catch	1
12	B223 4531	Guide Plate: Cover	1
13	D009 4540	Cover - Duplex Unit	1
14	B223 2665	Spring: Cover: Manual Feed	2
15	B223 2664	Cover: Manual Feed: Entrance	1
16	B223 4539	Sheet: Cover: Duplex	1
17	B223 4525	Tension Spring: Wire: 180N	1

Index No.	Part No.	Description	Q'ty Per Assembly
101	0451 3006N	Tapping Screw - 3x6	
102	0720 0030E	Retaining Ring - M3	
103	0451 3008N	Tapping Screw - M3x8	

34. Duplex Unit 2 (D009/D011/D012/D013/D091/D092)

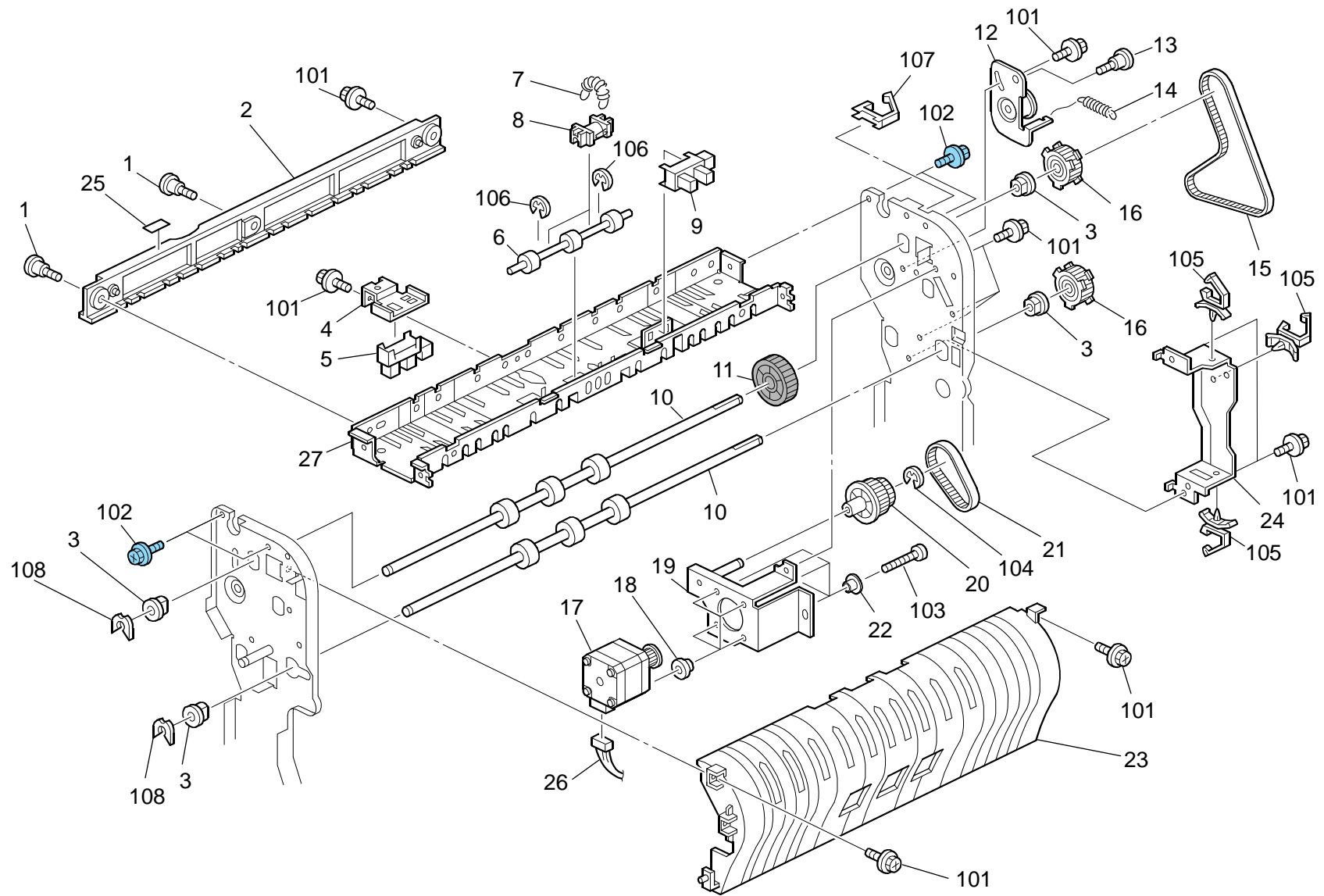


34. Duplex Unit 2 (D009/D011/D012/D013/D091/D092)

Index No.	Part No.	Description	Q'ty Per Assembly
1	D009 4483	Upper Gate	1
2	D009 4481	Grip - Upper Gate	1
3	D009 4489	Driven Roller	1
4	D009 4485	Bushing - Gate	2
5	D009 4543	Tension Spring - Duplex Gate	2
6	D009 4486	Lever - Upper Gate	1
7	D009 4409	Sheet - Gate	1
8	B223 4494	Stopper - Upper gate Pawl	1
9	B223 4479	Tension Spring: Gate Pawl: 1.6N	1
10	D009 4488	Right Spring - Guide Plate	2
11	D009 4482	Right Guide Plate - Open/Close	1
12	D009 4577	Duplex Gate	1
13	D009 4522	Tension Spring - Duplex Gate	1
14	D009 4503	Guide Plate - Left Upper	1

Index No.	Part No.	Description	Q'ty Per Assembly
101	0450 3008N	Tapping Screw - M3x8	
102	0805 0092	Retaining Ring - 3M	
103	0805 0097	Ring Separator	
104	1105 0511	Harness Clamp - LWS-0306ZC	

35. Duplex Unit 3 (D009/D011/D012/D013/D091/D092)



35. Duplex Unit 3 (D009/D011/D012/D013/D091/D092)

Index No.	Part No.	Description	Q'ty Per Assembly
1	AA14 3807	Screw: A	2
2	D009 4504	Upper Guide Plate - Gate	1
3	AA08 2104	Bushing - 8x12x7	4
4	B223 4566	Bracket: Sensor: Entrance	1
5	AW01 0107	Paper Feed Sensor	1
6	D009 4664	Driven Roller	1
7	B223 4560	Tension Spring: Driven Roller	2
8	B223 4552	Bushing: DIA4	2
9	AW02 0145	Photointerruptor: Flat	1
10	D009 4661	Reverse Roller - Feed	2
11	AB01 4161	Reverse Roller Gear	1
12	B223 4562	Tightener	1
13	B044 1847	Shoulder Screw	1
14	B223 4564	Spring: Tightener	1
15	B223 4526	Timing Belt: 30S2M268	1
16	B223 4586	Pulley: T30	2
17	B223 4572	Stepper Motor: DC4.29V 1.7W	1
18	AA10 1021	Rubber Bushing - 6 45HS	4
19	B223 4575	Bracket: Stepper Motor	1
20	B223 4571	Gear: Pulley: Z24/T40	1
21	B223 4573	Timing Belt: 30S2M128	1
22	B044 1825	Collar	4
23	B223 4501	Guide Plate: Right	1
24	D009 4521	Harness Bracket	1
25	D009 4497	Decal - Right Guide	1
26	D009 4652	Motor Harness	1
27	B223 4567	Stay: Transport: Upper: Peen	1

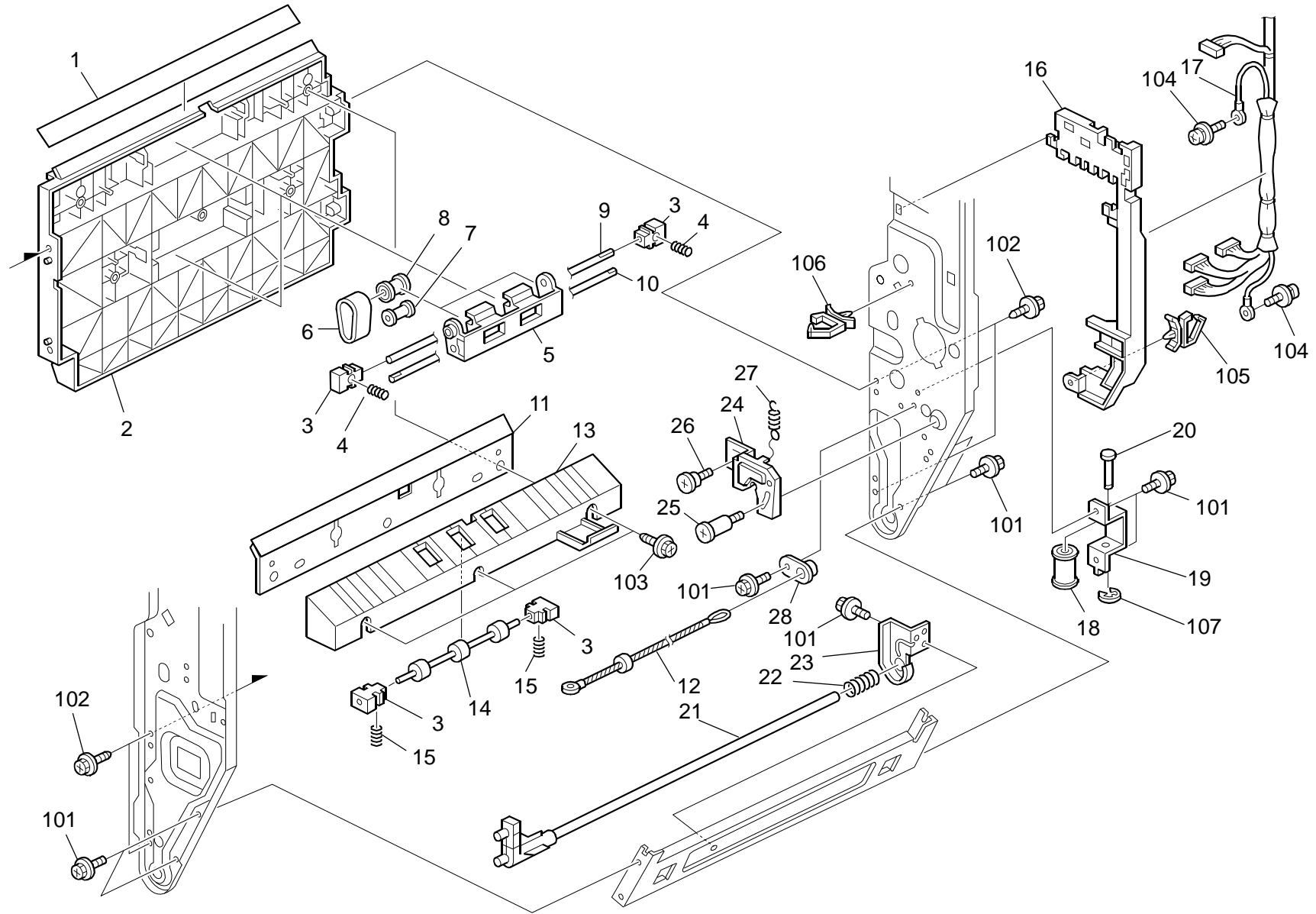
Index No.	Part No.	Description	Q'ty Per Assembly
101	0451 3006N	Tapping Screw - 3x6	
102	0454 3006Q	Tapping Screw - M3x6	
103	0353 0100N	Screw-M3x10	
104	0720 0040E	Retaining Ring - M4	
105	1105 0511	Harness Clamp - LWS-0306ZC	
106	0720 0030E	Retaining Ring - M3	
107	1105 0551	Clamp: LES-0505	
108	0805 0088	Retaining Ring - M6	

36. Duplex Unit 4 (D009/D011/D012/D013/D091/D092)

Index No.	Part No.	Description	Q'ty Per Assembly
1	D009 4662	Transport Roller 1	1
2	D009 4663	Transport Roller 2	1
3	B223 4512	Timing Belt: 30S2M182	1
4	B223 4536	Timing Belt: 30S2M234	1
5	B223 4511	Timing Belt: 30S2M312	1
6	B223 4529	Roller Clutch: T24	1
7	B223 4544	Pulley: T35/T33	1
8	B223 4527	Pulley: T26/T24	1
9	B223 4535	Roller Clutch: T26	1
10	AA08 2101	Bushing - 6x10x6	5
11	B223 4514	Roller Clutch: T24	1
12	B223 4502	Guide Plate: Left Lower	1
13	B223 4553	Tension Spring: Driven Roller	2
14	B223 4552	Bushing: DIA4	2
15	D009 4664	Driven Roller	2
16	D009 3860	Spring Cover - Transfer Unit	2
17	AA06 3448	Pressure Spring - Transfer Unit	2
18	D009 4551	Guide Plate - Holder	1
19	D009 3861	Terminal Holder - Transfer Unit	1
20	D009 3884	Sensor Harness	1
21	D009 4541	Front Torsion Spring	1
22	AA10 0014	Retaining Ring C - Separate	1
23	D009 4545	Holder Shaft - Transfer Unit	1
24	AA06 3303	Pressure Spring	2
25	AA08 0254	Bushing - M4	2
26	B234 3177	Decal: Positioning Display: Development	1

Index No.	Part No.	Description	Q'ty Per Assembly
101	0450 3008N	Tapping Screw - M3x8	
102	0805 0089	Retaining Ring - M4	
103	0720 0030E	Retaining Ring - M3	
104	1105 0623	Clamp - LBWS-0206S-V0	

37. Duplex Unit 5 (D009/D011/D012/D013/D091/D092)



37. Duplex Unit 5 (D009/D011/D012/D013/D091/D092)

Rev. 01/19/2011

Index No.	Part No.	Description	Q'ty Per Assembly
1	D009 2554	Guide Sheet - Vertical Transport	1
2	D009 2563	Guide Plate - Vertical Transport	1
3	G060 2652	Bushing - M4	6
4	B223 2676	Spring - 11N	4
5	D009 2571	Holder - Vertical Transport	1
6	D009 2572	Transport Belt	1
7	D009 2574	Pulley - Idler	1
8	D009 2573	Pulley - Vertical Transport	1
9	D009 2576	Shaft - Vertical Transport	1
10	D009 2575	Shaft - Idler	1
11	D009 2511	Guide Plate: Feed Paper Again: Exit: A	1
12	B223 4524	Wire: Stopper: DIA1.5	1
13	B223 2648	Guide Plate: Transport Unit: Exit	1
14	D009 2560	Driven Roller	1
15	B223 2649	Spring: Pressure: 5N	2
16	D009 4535	Harness Guide	1
17	D009 4651	Harness - Duplex Unit	1
18	B223 4595	Pulley: DIA13	1
19	D009 4597	Bracket - Wire Pulley Shaft	1
20	B223 4594	Shaft: Pulley: Wire	1
21	D009 4599	Shaft - Duplex Unit	1
22	D009 4598	Spring - Set Shaft	1
23	D009 4589	Guide - Set Shaft	1
24	D009 4588	Stopper Bracket - Spring	1
25	AA14 3183	Stepped Screw	1
26	D009 4593	Stepped Screw - M3	1
27	D009 4587	Tension Spring - Release Bracket	1
28	B223 4522	Spacer: Wire: Stopper	1

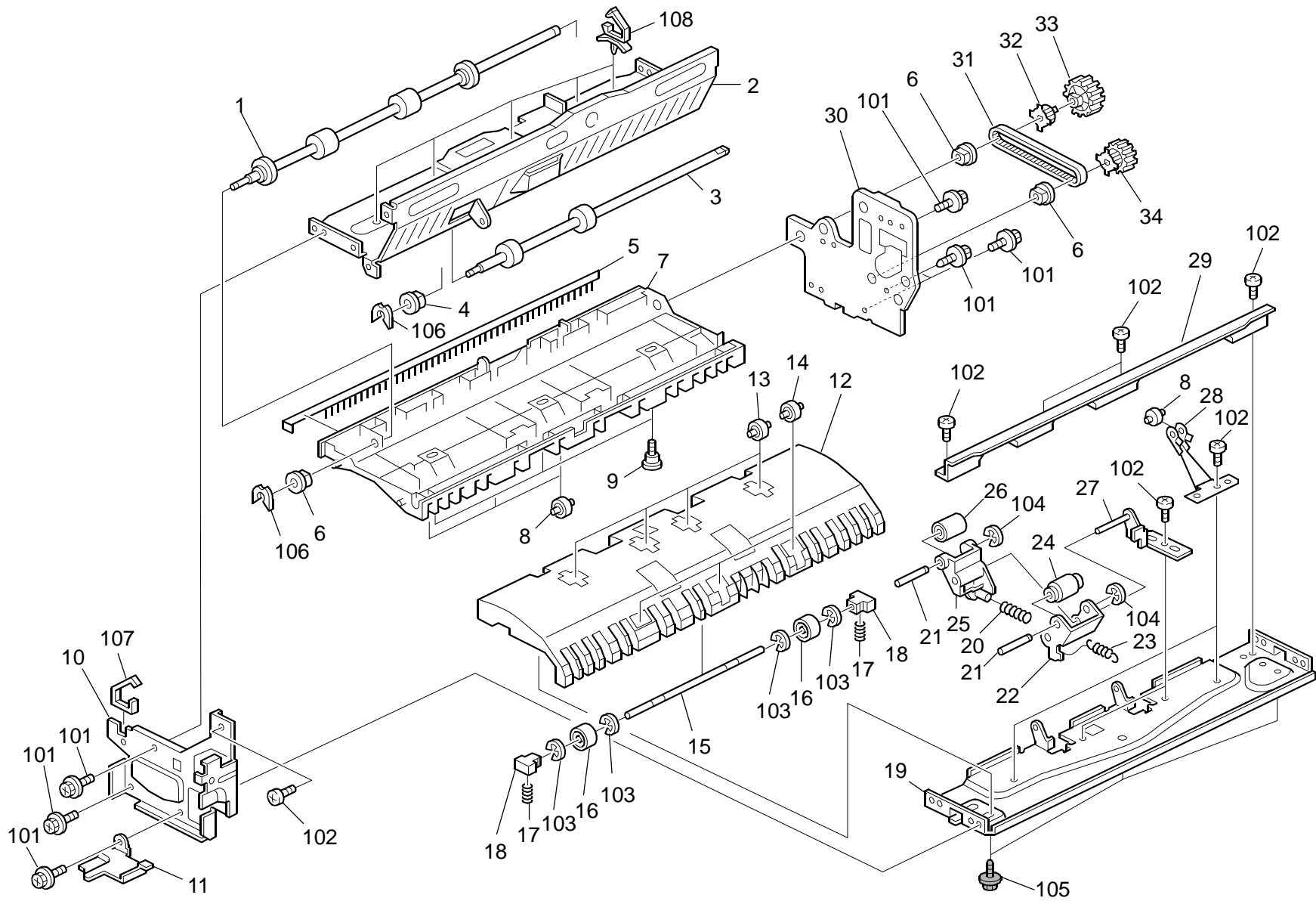
Index No.	Part No.	Description	Q'ty Per Assembly
101	0451 3006N	Tapping Screw - 3x6	
102	0450 3008N	Tapping Screw - M3x8	
103	0450 3010N	Tapping Screw - M3x10	
104	0954 3008N	Screw - M3x8	
105	1105 0487	Harness Clamp	
106	1105 0511	Harness Clamp - LWS-0306ZC	
107	0720 0040E	Retaining Ring - M4	

38.Paper Exit Section 1 (D009/D011/D012/D013/D091/D092)

Index No.	Part No.	Description	Q'ty Per Assembly
1	D009 4430	DC Solenoid - Exit	1
2	D009 4457	Tension Spring Release	1
3	D009 4438	Lever - Entrance Gate	1
4	D009 4439	Bushing - 4mm	2
5	D009 4455	Cushion - DC Solenoid	1
6	AW01 0107	Paper Feed Sensor	2
7	D009 4436	Entrance Gate	1
8	H053 2208	Bushing - M4	2
9	D009 4445	Transport Roller	1
10	D009 4441	Exit Guide Plate - Upper Right	1
11	D009 4418	Stepped Tapping Screw - M3	3
12	D009 4408	Bracket - Fusing Exit Sensor	1
13	AW01 0127	Paper Feed Sensor	1
14	D009 4464	Gear - 22Z	1
15	D009 4447	Exit Sensor Bracket	1
16	D009 4499	Harness - Paper Exit Unit	1
17	D009 4407	Feeler - Overflow	1
18	B223 4497	Shaft: Feeler: Overflow	1
19	AW02 0145	Photointerruptor: Flat	1
20	D009 4461	Gear - 17Z	1
21	D009 4469	Gear - 17Z	1
22	D009 4471	Stepper Motor Bracket	1
23	D009 4490	Exit Motor Cover	1
24	D009 4547	Stepper Motor - DC 5.79W	1
25	D009 4448	Tension Spring - Gate Pawl	1

Index No.	Part No.	Description	Q'ty Per Assembly
101	0451 3006N	Tapping Screw - 3x6	
102	0454 3006Q	Tapping Screw - M3x6	
103	0805 0092	Retaining Ring - 3M	
104	0353 0100N	Screw-M3x10	
105	0453 3006N	Tapping Screw - M3x6	
106	0720 0040E	Retaining Ring - M4	
107	1105 0511	Harness Clamp - LWS-0306ZC	
108	1105 0516	Clamp	
109	0450 3006N	Tapping Screw - M3x6	

39.Paper Exit Section 2 (D009/D011/D012/D013/D091/D092)

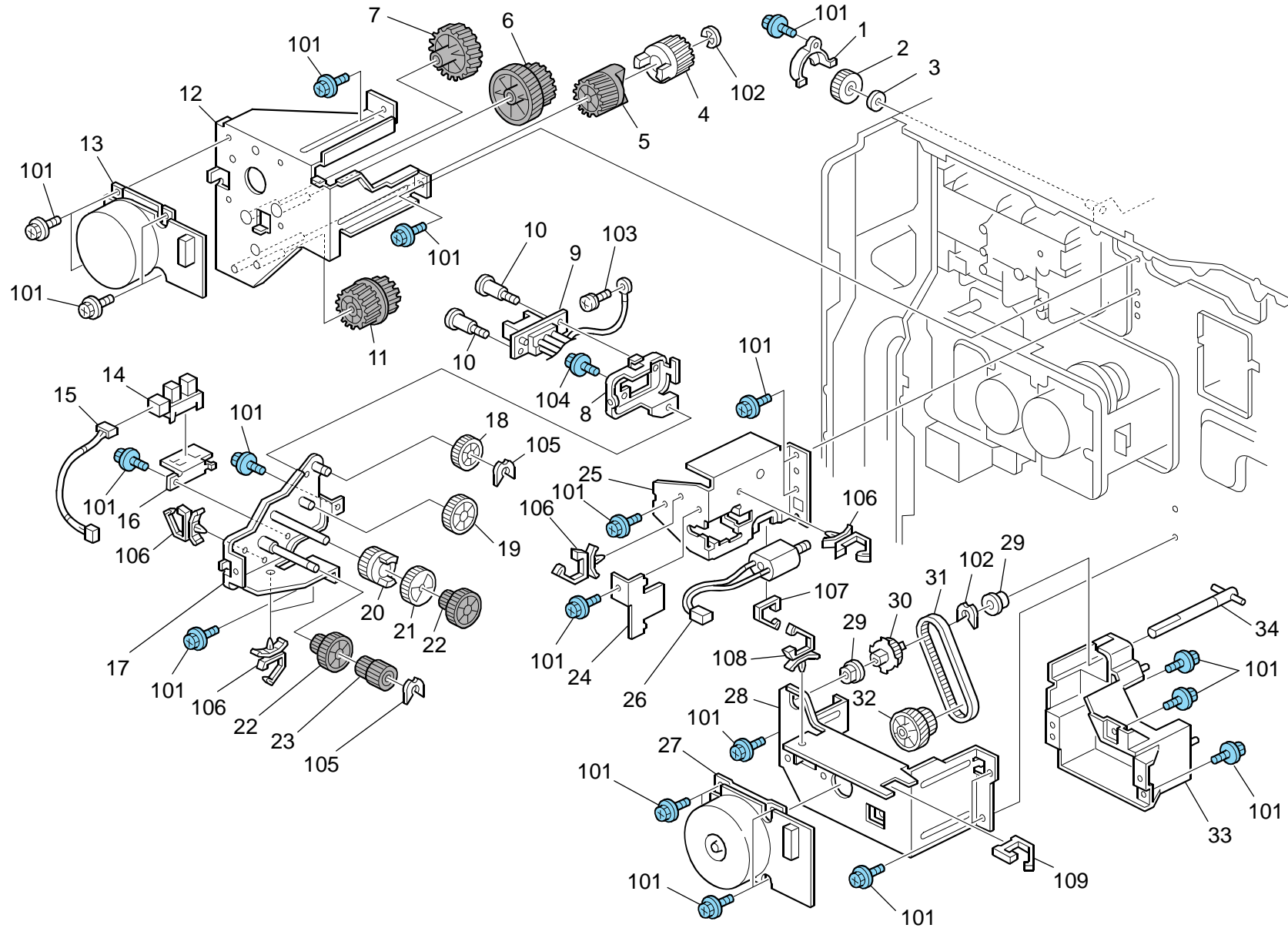


39.Paper Exit Section 2 (D009/D011/D012/D013/D091/D092)

Index No.	Part No.	Description	Q'ty Per Assembly
1	D009 4444	Exit Roller	1
2	D009 4428	Upper Stay	1
3	D009 4445	Transport Roller	1
4	H053 2208	Bushing - M4	1
5	D009 4443	Discharge Brush - Exit	1
6	AA08 2101	Bushing - 6x10x6	3
7	D009 4442	Exit Guide Plate - Upper	1
8	AF04 0575	Driven Roller	3
9	5206 2684	Shoulder Screw - M3	3
10	D009 4434	Front Side Plate	1
11	D009 4406	Separation Plate - Paper Exit	1
12	D009 4412	Lower Guide Plate - Exit	1
13	AF04 0571	Guide Roller	1
14	B223 4428	Roller: Guide: PFA	1
15	D009 4422	Driven Roller Shaft	1
16	B223 4435	Roller: Auxiliary: Driven: DIA16: PFA	1
17	D009 4419	Spring - Lower Guide Plate	2
18	D009 4498	Bushing - Lower Guide Plate	2
19	D009 4413	Lower Stay - Exit	1
20	D009 4477	Spring - Exit Pressure	1
21	B213 4460	Shaft: Pressure Roller	2
22	D009 4491	Entrance Arm	1
23	D009 4476	Spring - Entrance Pressure	1
24	AF04 0601	Pressure Roller: Entrance	1
25	D009 4492	Exit Arm	1
26	AF04 0599	Pressure Roller: 15	1
27	D009 4493	Bracket - Contact Point	1
28	D009 4496	Spring Plate - Exit Roller	1
29	D009 4478	Lower Supporting Plate	1
30	D009 4431	Rear Side Plate	1
31	D009 4466	Timing Belt - 30S2M172	1
32	D009 4465	Timing Pulley - 22T	1
33	D009 4462	Gear - 22Z	1
34	D009 4463	Gear/Pulley - 22Z/22T	1

Index No.	Part No.	Description	Q'ty Per Assembly
101	0451 3006N	Tapping Screw - 3x6	
102	0353 0040N	Screw - M3x4	
103	0720 0025E	Retaining Ring - M2.5	
104	0720 0030E	Retaining Ring - M3	
105	0450 3008P	Tapping Screw 3x8	
106	0805 0092	Retaining Ring - 3M	
107	1105 0551	Clamp: LES-0505	
108	1105 0511	Harness Clamp - LWS-0306ZC	

40. Drive Section 1 (D009/D011/D012/D013/D091/D092)

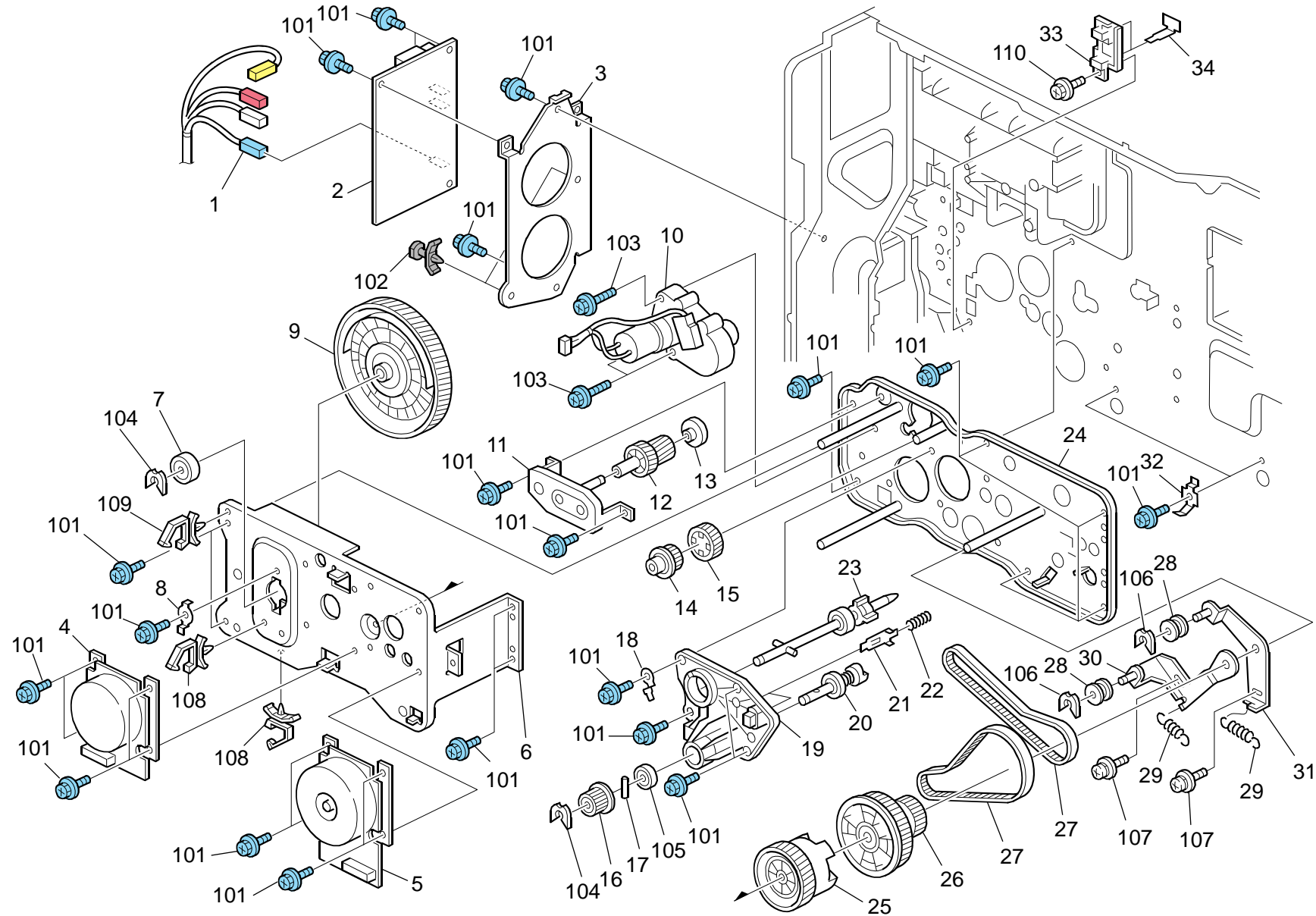


40. Drive Section 1 (D009/D011/D012/D013/D091/D092)

Index No.	Part No.	Description	Q'ty Per Assembly
1	D009 1182	Joint Cover	1
2	D009 1183	Joint - Cleaning	1
3	AA13 2208	Spacer - M6	1
4	AB01 4284	Gear - 24Z	1
5	AB01 4283	Gear - 24Z	1
6	AB01 4280	Gear - 26Z/90Z	1
7	AB01 4281	Gear - 40Z	1
8	D009 1090	Connector Bracket - Fusing	1
9	D009 5620	AC Harness - Fusing	1
10	AA14 3744	Stepped Screw	2
11	AB01 4282	Gear - 26Z/30Z	1
12	D009 1171	Bracket - Fusing Drive Sub-Unit	1
13	AX06 0356	Brushless Motor: DC24V 18W	1
14	AW02 0150	Photointerruptor: Flat: 7mm	1
15	D009 5500	Interface Harness - Web Sensor	1
16	D009 1193	Sensor Bracket	1
17	D009 1187	Bracket - Fusing Cleaning Drive	1
18	AB01 1523	Gear - 24Z	1
19	AB01 1524	Gear - 36Z	1
20	AB01 1526	Gear - 24Z	1
21	AB01 1525	Gear - 32Z	1
22	AB01 1527	Gear - 14Z/32Z	2
23	AB01 1528	Gear - 14Z/32Z	1
24	D009 1194	Motor Holder	1
25	D009 1195	Motor Bracket	1
26	AX04 0167	Motor: DC5V 0.71W	1
27	AX06 0355	Brushless Motor - DC 11W	1
28	D009 1161	Bracket - Paddle Roller Drive	1
29	AA08 0347	Bushing - 8mm	2
30	AB03 0815	Timing Pulley - 24T	1
31	AA04 3656	Timing Belt - 60S3M177	1
32	AB01 7743	Gear - 20Z	1
33	D009 1158	Holder - Paddle Roller Drive	1
34	D009 1164	Shaft - Paddle Roller Drive	1

Index No.	Part No.	Description	Q'ty Per Assembly
101	0454 3006Q	Tapping Screw - M3x6	
102	0720 0060E	Retaining Ring - M6	
103	0957 4008N	Screw: Small Round/Spring: M4x8	
104	0454 3008Q	Tapping Screw: 3x8	
105	0805 0089	Retaining Ring - M4	
106	1105 0511	Harness Clamp - LWS-0306ZC	
107	1105 0522	Edge Saddle - LES0510	
108	1105 0487	Harness Clamp	
109	1105 0613	Clamp: EDS-1010L-V0	

41.Drive Section 2 (D009/D011/D012/D013/D091/D092)



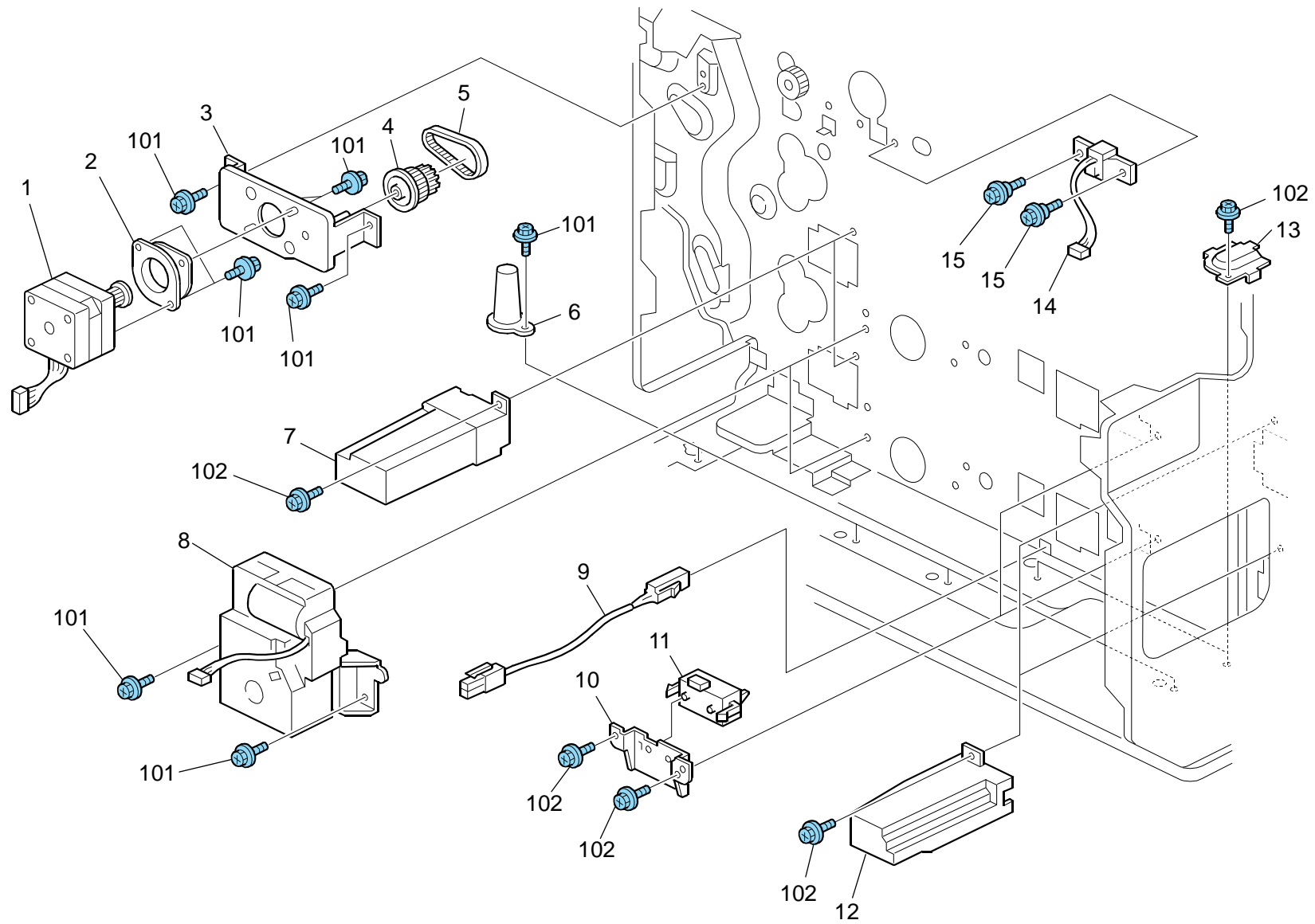
41. Drive Section 2 (D009/D011/D012/D013/D091/D092)

Rev. 03/23/2010

Index No.	Part No.	Description	Q'ty Per Assembly
1	D009 5420	Harness - High Voltage Cable	1
2	AZ32 0145	Power Pack: CBT	1
3	D009 5854	Bracket - Power Pack	1
4	AX06 0354	Brushless Motor - DC 6W	1
5	AX06 0355	Brushless Motor - DC 11W	1
6	D009 1120	Rear Drive Bracket - Engine	1
7	B242 1161	Ball Bearing - 8x22x7	1
8	D009 1121	Ground Plate - Drum	1
9	AB01 0379	Gear: Drum	1
10	D009 1113	Drive Unit- Transfer On-Off	1
11	D009 1123	Drive Bracket - Transfer	1
12	AB01 7752	Gear - 27TZ/42Z	1
13	D009 1148	Collar - 6x18.8mm	1
14	AB03 0821	Pulley - 31T	1
15	AB01 0141	Gear - 46Z	1
16	AB03 0820	Pulley - 31T	1
17	AA14 5294	Parallel Pin - 2x12mm	1
18	D009 1141	Ground Plate - Drum	1
19	D009 1145	Drum Shaft Holder	1
20	D009 1155	Joint - Development Sleeve: Ass'y	1
21	D009 1147	Terminal - Development Roller	1
22	AA06 3432	Spring - Intermediate Drawer	1
23	D009 1111	Drum Shaft	1
24	D009 1139	Front Drive Bracket - Engine	1
25	AB01 0140	Gear - 90Z	1
26	D009 1142	Pulley - 48T/90T	1
27	AA04 3658	Timing Belt - 60S2M300	2
28	D009 1127	Roller - Tightener	2
29	D009 1128	Spring - Tightener	2
30	D009 1135	Tightener Bracket - Development	1
31	D009 1125	Tightener Bracket - Transfer	1
32	B004 1936	Plate - Optical Housing Unit	2
33	D009 3831	Receptacle Housing - Transfer	1
34	D009 3832	Receptacle Terminal - Transfer	2

Index No.	Part No.	Description	Q'ty Per Assembly
101	0454 3006Q	Tapping Screw - M3x6	
102	1105 0367	Spacer	
103	0454 3020Q	Tapping Screw: 3x20	
104	0805 0088	Retaining Ring - M6	
105	0740 3808	Ball Bearing - 8x16x5mm	
106	0805 0089	Retaining Ring - M4	
107	0954 3010N	Screw: Polished Round/Spring: M3x10	
108	1105 0534	Clamp	
109	1105 0623	Clamp - LBWS-0206S-V0	
110	0451 3008N	Tapping Screw - M3x8	

42. Drive Section 3 (D009/D011/D012/D013/D091/D092)

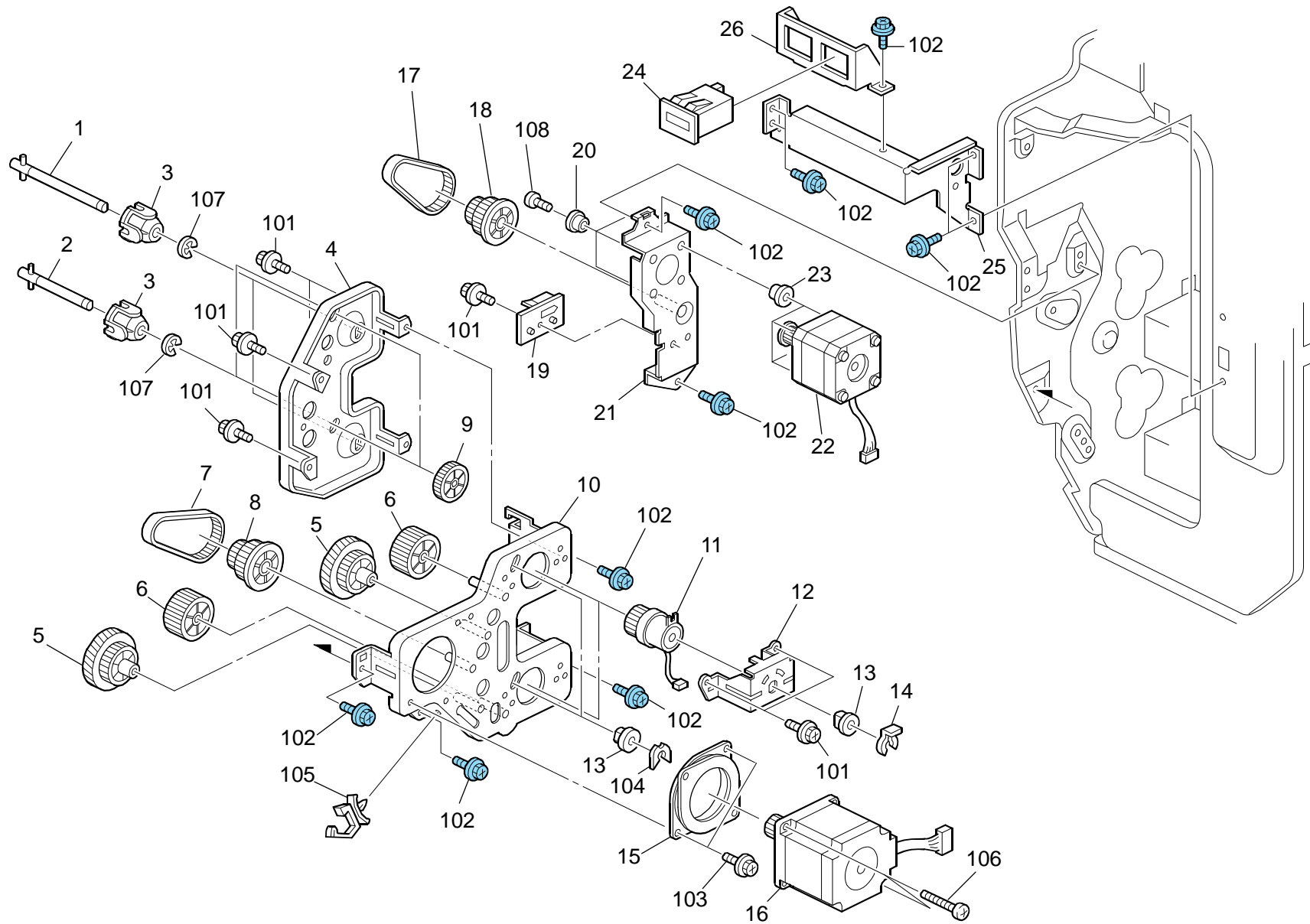


42. Drive Section 3 (D009/D011/D012/D013/D091/D092)

Index No.	Part No.	Description	Q'ty Per Assembly
1	B223 1350	Stepper Motor DC5.06V	1
2	A232 4666	Cushion - Stepper Motor	1
3	D009 1151	Bracket - Registration Drive Unit	1
4	AB03 0744	Timing Pulley - 27Z/40T	1
5	AA04 3601	Timing Belt - B40S2M118	1
6	B238 1089	Cover - Positioning Pin	1
7	B238 2541	Tray Cover - Right	2
8	AX04 0154	DC Motor 24V	2
9	D009 5851	Bracket - IO Board	1
10	B223 2721	Bracket: Push Switch	1
11	AW50 0038	Push Switch: Paper Size Sensor	1
12	B238 2543	Cover - Tray Left	1
13	B238 1066	Rubber Foot Cover	1
14	D009 5440	Harness - Development Drawer	1
15	AA14 3579	Screw - M3	2

Index No.	Part No.	Description	Q'ty Per Assembly
101	0454 3006Q	Tapping Screw - M3x6	
102	0454 3008Q	Tapping Screw: 3x8	

43. Drive Section 4 (D009/D011/D012/D013/D091/D092)

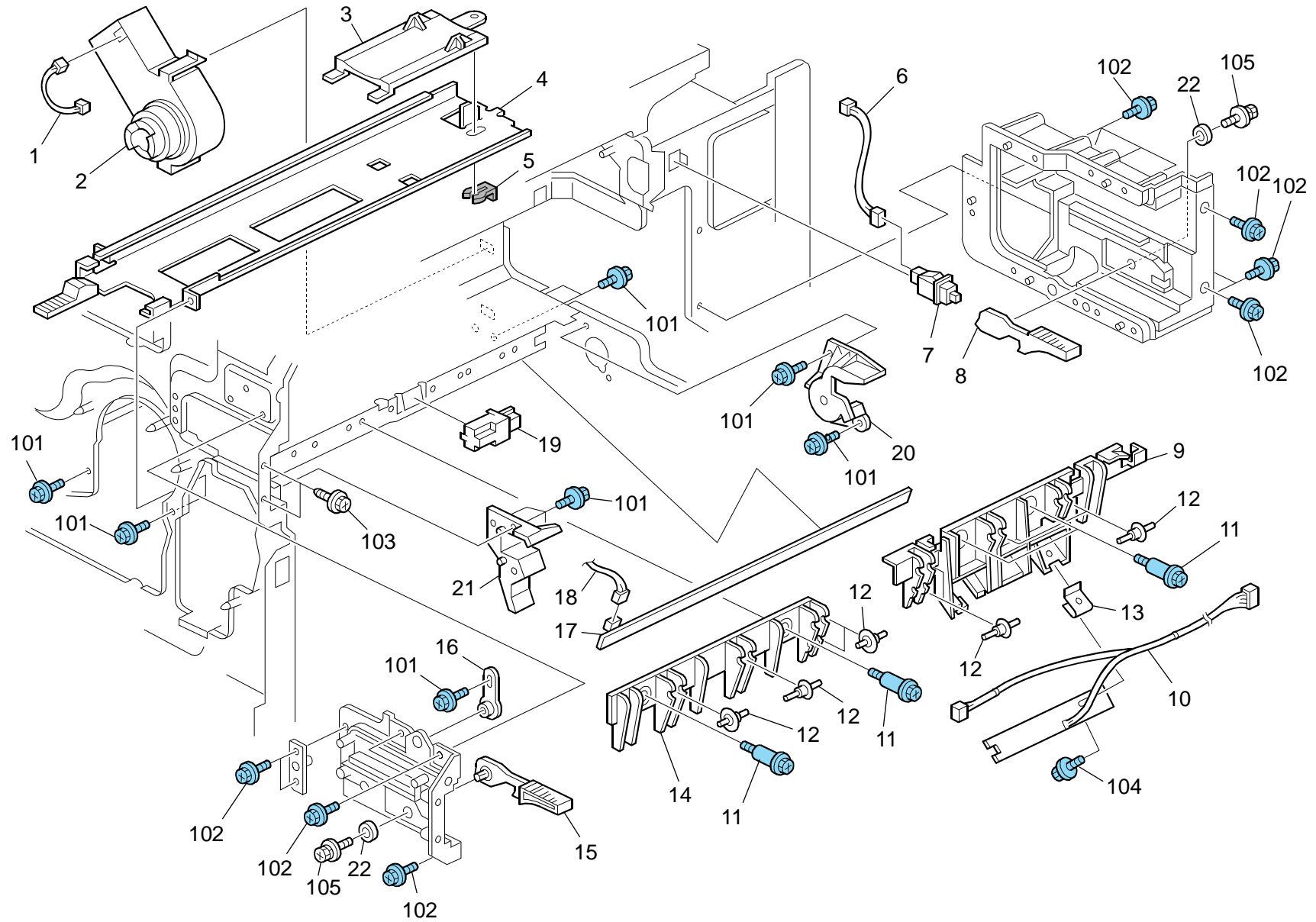


43. Drive Section 4 (D009/D011/D012/D013/D091/D092)

Index No.	Part No.	Description	Q'ty Per Assembly
1	B223 1189	Feed Drive Shaft	1
2	B223 1183	Grip Shaft	1
3	B223 1186	Drive Joint	2
4	B223 1354	Drum Stay: Drive Unit	1
5	AB01 7699	Gear - 33Z/44Z	2
6	AB01 1258	Gear - 38Z	2
7	AA04 3585	Timing Belt: 40S3M162	1
8	AB03 0781	Timing Pulley - 28Z/30T	1
9	AB01 1259	Gear - 32Z	1
10	B223 1180	Bracket: Paper Feed	1
11	AX20 0289	Magnetic Clutch - 32Z	2
12	B223 1187	Magnetic Clutch Bracket	2
13	AA08 0346	Bushing: Flange Type: DIA6	2
14	5447 2681	Snap Ring	2
15	AA16 1164	Cushion: Stepper Motor	1
16	B223 1188	Stepper Motor DC24V	1
17	B700 2649	Timing Belt: 40S2M144	1
18	AB01 7493	Gear Pulley	1
19	B223 2694	Guide: Gear	1
20	B044 1825	Collar	4
21	B223 2691	Bracket: Stepper Motor	1
22	B223 2745	Stepper Motor: Ass'y	1
23	AA10 1021	Rubber Bushing - 6 45HS	4
24	AX31 0045	Total Counter: 7FIG: 24V	1
25	D009 1088	Grip Bracket - Right Rear	1
26	B223 5846	Bracket: Total Counter	1

Index No.	Part No.	Description	Q'ty Per Assembly
101	0451 3006N	Tapping Screw - 3x6	
102	0454 3006Q	Tapping Screw - M3x6	
103	0451 4008N	Tapping Screw: 4x8	
104	0805 0089	Retaining Ring - M4	
105	1105 0488	Harness Clamp	
106	0434 0100N	Tapping Screw - 4x10	
107	0720 0040E	Retaining Ring - M4	
108	0353 0080N	Screw: M3x8	

44.Electrical Section 1 (D009/D011/D012/D013/D091/D092)



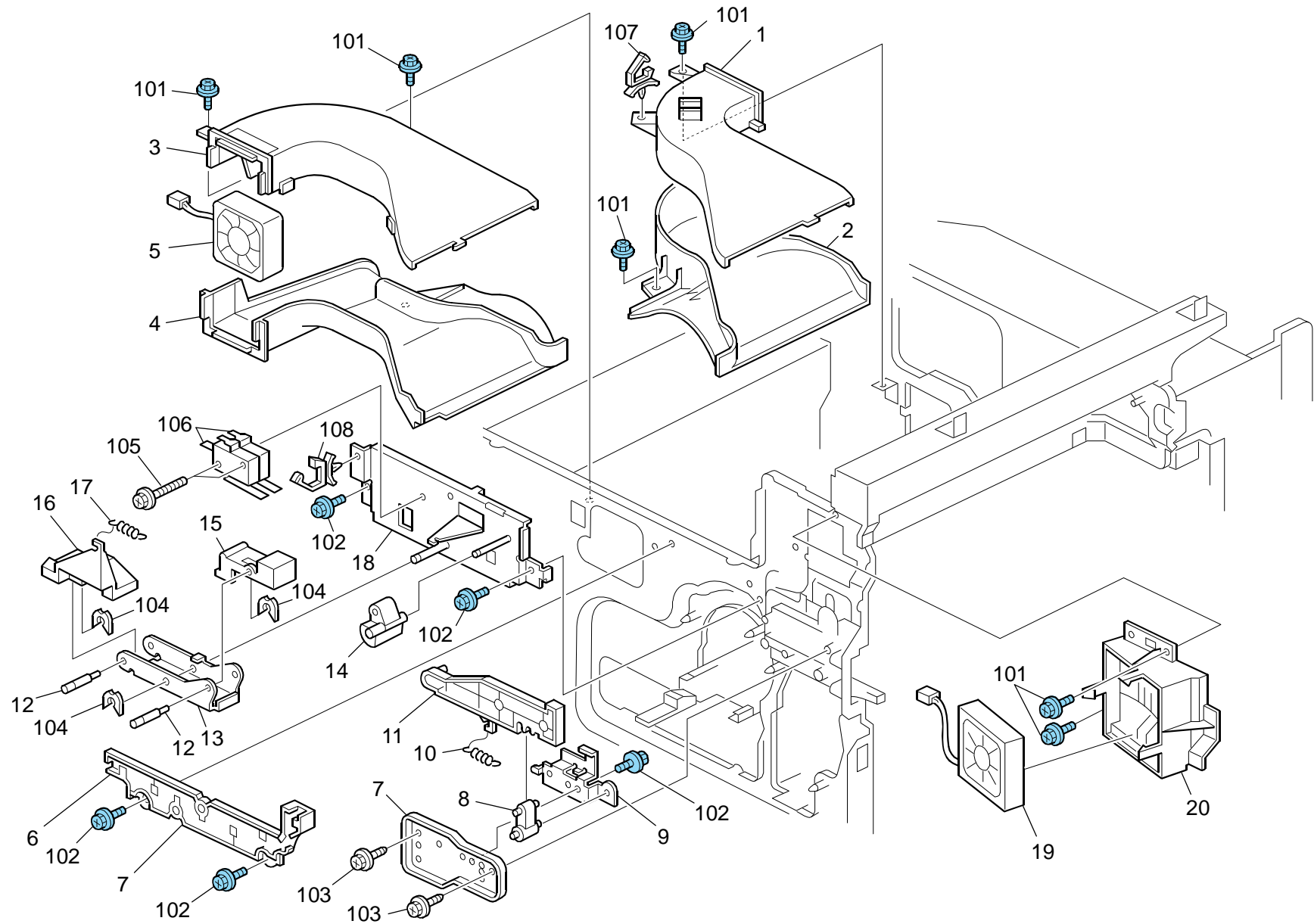
44.Electrical Section 1 (D009/D011/D012/D013/D091/D092)

Rev. 12/09/2011

Index No.	Part No.	Description	Q'ty Per Assembly
1	D009 5505	Harness - Toner Supply Motor	1
2	AX05 0329	DC Motor: Toner Bottle: Ass'y	1
3	B004 7667	Holder: Toner Bottle: EU	1
4	D009 3210	Guide - Toner Supply	1
5	A096 2065	Slider Ring	1
6	D009 5481	Interface Harness - IOB-Switch	1
7	AW50 0023	Push Switch	1
8	D009 4351	Rear Lock Lever	1
9	D009 3865	Holder - Density Sensor	1
10	D009 2367	Density Sensor	1
11	AA14 3579	Screw - M3	4
12	B004 2310	Spur	4
13	A232 1284	Spring Holder	1
14	D009 3866	Guide - Separation/Transport	1
15	D009 4350	Front Lock Lever	1
16	B238 1119	Lever - Front Upper	1
17	B213 2362	LED Array QL Ass'y	1
18	D009 5510	Harness - Quenching Lamp	1
19	AW01 0199	Entrance Sensor	1
20	D009 3856	Guide: Standard: Transfer Unit: Rear	1
21	D009 3857	Guide: Standard: Transfer Unit: Front	1
22	D009 4356	Washer: DIA3.5	2

Index No.	Part No.	Description	Q'ty Per Assembly
101	0454 3008Q	Tapping Screw: 3x8	
102	0454 3008Q	Tapping Screw: 3x8	
103	0450 3010N	Tapping Screw - M3x10	
104	0451 3008N	Tapping Screw - M3x8	
105	0802 5299	Tapping Screw - M3x8	

45.Electrical Section 2 (D009/D011/D012/D013/D091/D092)

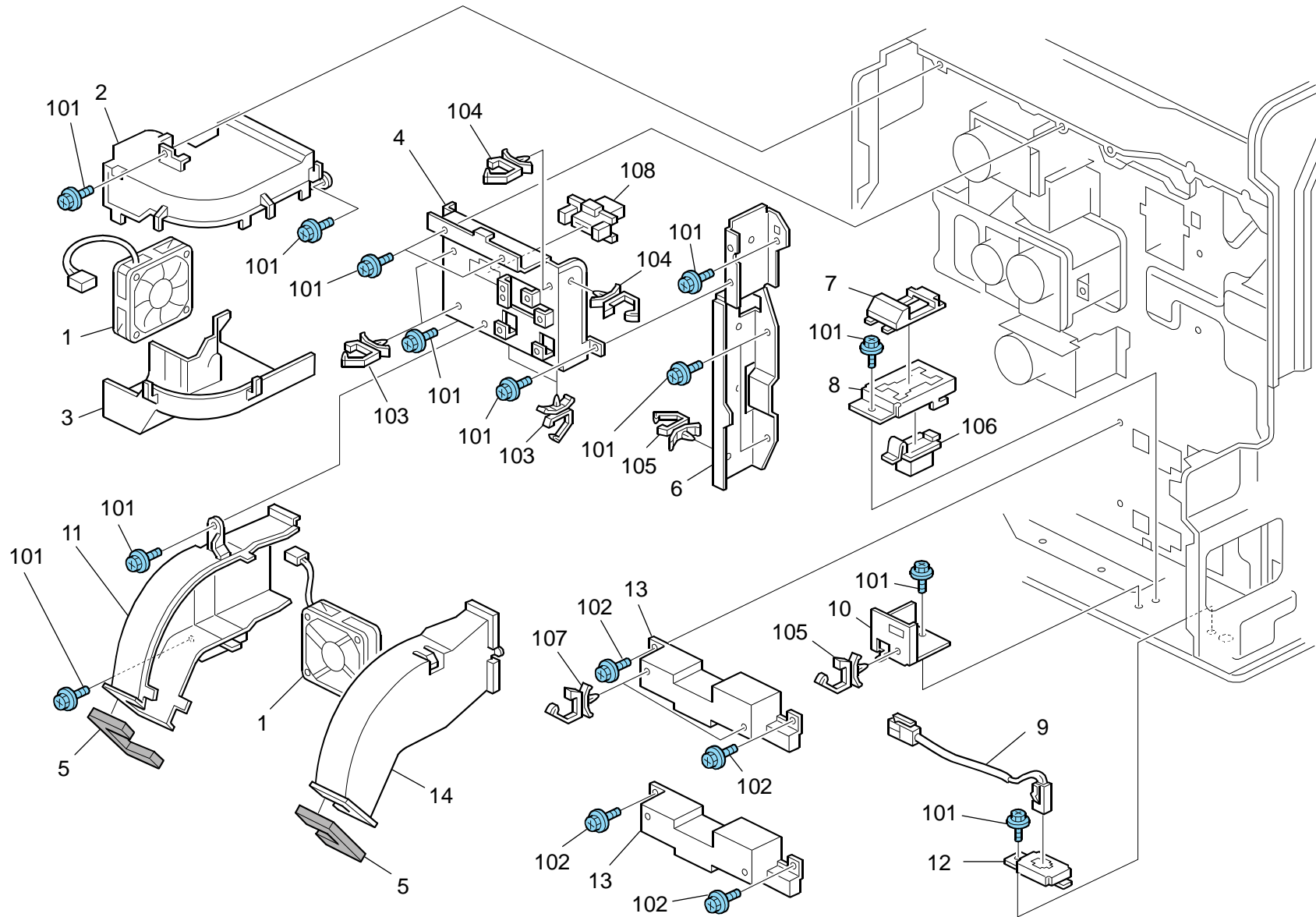


45.Electrical Section 2 (D009/D011/D012/D013/D091/D092)

Index No.	Part No.	Description	Q'ty Per Assembly
1	D009 1366	Middle Exhaust Duct - Upper	1
2	D009 1367	Middle Exhaust Duct - Lower	1
3	D009 1368	Front Upper Duct	1
4	D009 1369	Front Lower Duct	1
5	B223 1332	Fan Motor - MM60 DC24V	1
6	D009 5898	Harness Guide - Safety Switch	1
7	D009 5866	Base - Right Safety Switch	1
8	D009 5869	Right Lower Lever - Safety Switch	1
9	D009 5867	Guide Plate - Safety Switch	1
10	D009 5896	Spring - Right Safety Switch	1
11	D009 5868	Right Lever - Safety Switch	1
12	D009 5857	Shaft - Safety Switch	2
13	D009 5864	Middle Lever - Safety Switch	1
14	D009 5865	Cam - Safety Switch	1
15	D009 5858	Left/Right Lever - Safety Switch	1
16	D009 5863	Left Lever - Safety Switch	1
17	D009 5895	Tension Spring: Safety Switch: Left	1
18	D009 5840	Base - Left Safety Switch	1
19	AX64 0194	Fan Motor - DC 2.16W	1
20	D009 1371	Exit Duct - MM60	1

Index No.	Part No.	Description	Q'ty Per Assembly
101	0454 3008Q	Tapping Screw: 3x8	
102	0454 3006Q	Tapping Screw - M3x6	
103	0450 3008N	Tapping Screw - M3x8	
104	0805 0092	Retaining Ring - 3M	
105	0451 3025N	Tapping Screw: M3x25	
106	1204 2521	Micro Switch	
107	1105 0487	Harness Clamp	
108	1105 0534	Clamp	

46.Electrical Section 3 (D009/D011/D012/D013/D091/D092)

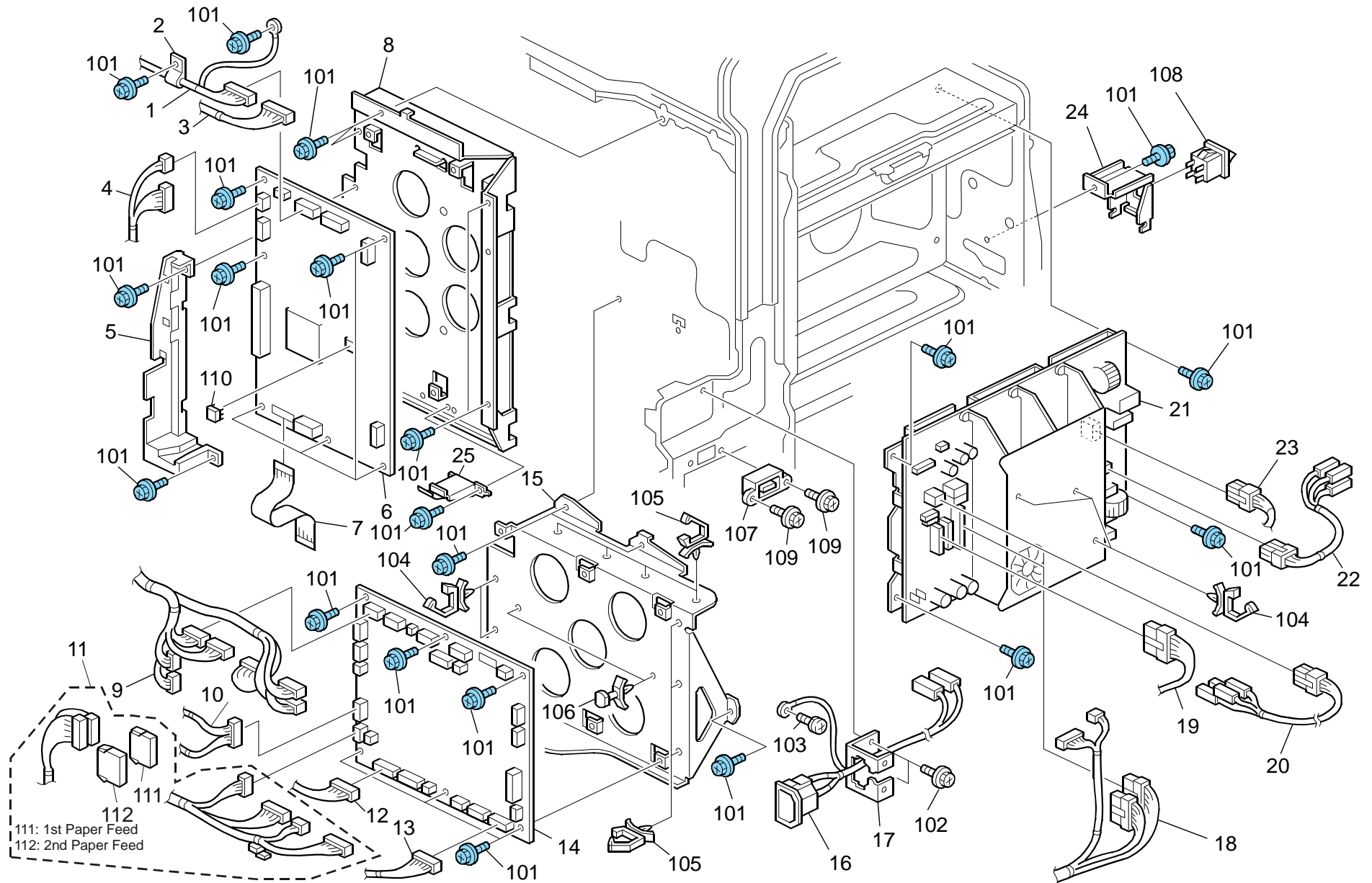


46.Electrical Section 3 (D009/D011/D012/D013/D091/D092)

Rev. 12/2/2011

Index No.	Part No.	Description	Q'ty Per Assembly
1	AX64 0159	Fan Motor MM80	2
2	D009 1351	Upper Fusing Duct	1
3	D009 1352	Lower Fusing Duct	1
4	D009 5852	Connector Bracket	1
5	D009 1358	Sponge: Duct: Exhaust: 1	2
5	D009 1359	Sponge: Duct: Exhaust: 2	2
6	D009 5876	Small Bracket - BICU	1
7	B238 1088	Cover - Connector	1
8	B223 1065	Connector Bracket	1
9	D009 5615	AC Harness - Heater	1
10	D009 5856	Bracket - Heater Connector	1
11	D009 1355	Rear Exhaust Duct - Left	1
12	B223 5848	Bracket: Base: Connector	1
13	D009 2527	Cover - Electrical Components	2
14	D009 1354	Rear Exhaust Duct - Right	1

Index No.	Part No.	Description	Q'ty Per Assembly
101	0454 3006Q	Tapping Screw - M3x6	
102	0454 3008Q	Tapping Screw: 3x8	
103	1105 0488	Harness Clamp	
104	1105 0489	Harness Clamp - LWS 1316	
105	1105 0487	Harness Clamp	
106	1102 8534	Connector - QR/P17-14S-B	
107	1105 0522	Edge Saddle - LES0510	
108	1102 9782	Connector: 51405-1819	



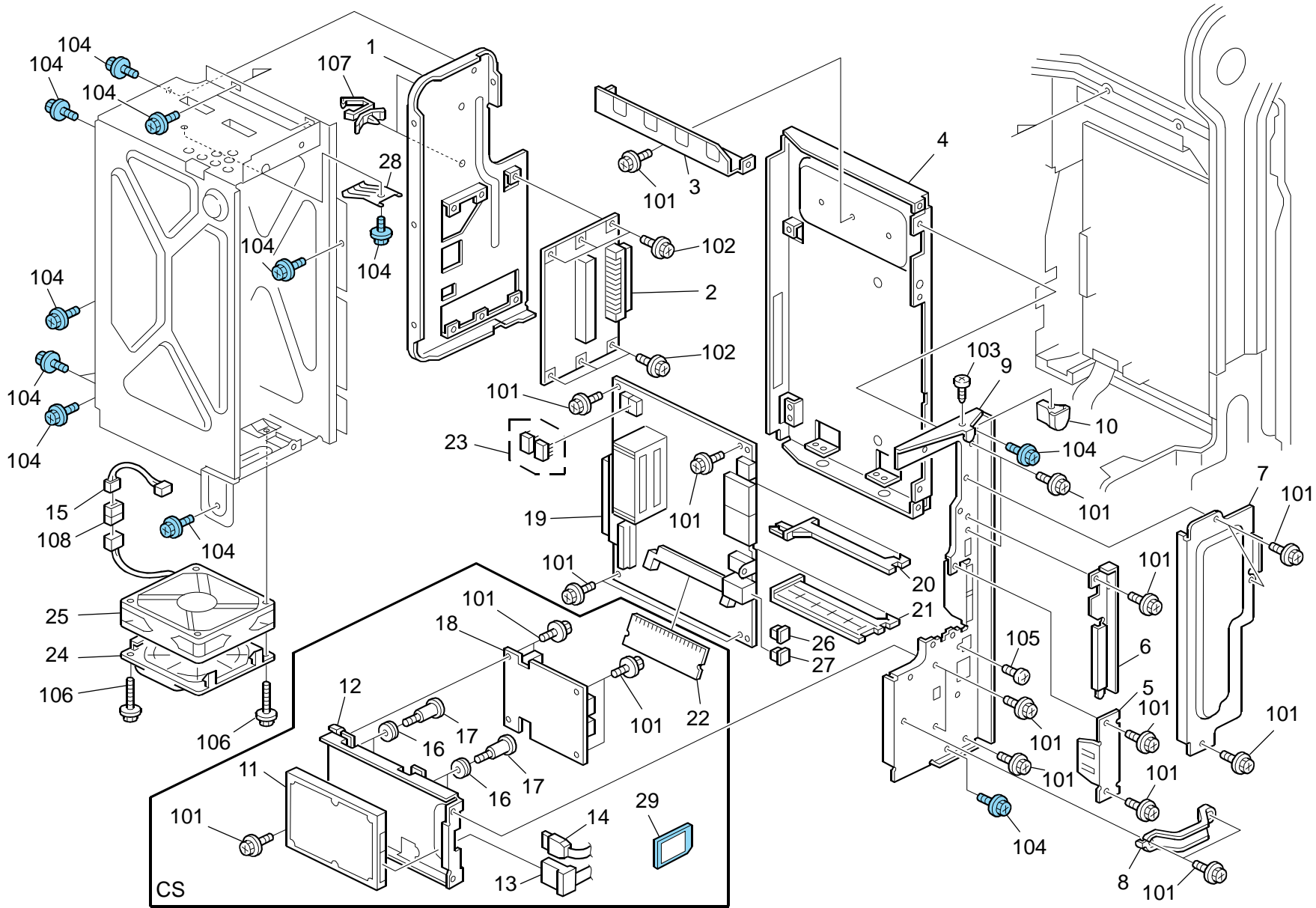
47.Electrical Section 4 (D009/D011/D012/D013/D091/D092)

Rev. 7/18/2011

Index No.	Part No.	Description	Q'ty Per Assembly
1	D009 5540	Interface Cable - Scanner BW	1
1	D011 5530	Interface Cable - Scanner Color	1
2	B154 5879	Plate: Cable	1
3	D009 5465	Harness - BICU-SIO	1
4	D009 5470	Harness - BICU-IDB	1
5	D009 5877	Guide - Mother Board	1
6	D009 5166	BICU - MS - 50CPM (D012)	1
6	D009 5167	PCB: BICU - MS - 40CPM (D009)	1
6	D011 5166	PCB: BICU: FCS: 50 CPM (D013) [TSB#045]	1
6	D011 5167	PCB: BICU: FCS: 40 CPM (D011) [TSB#045]	1
6	D091 5156	PCB: BICU: FCS 50CPM (D092)	1
6	D091 5157	PCB: BICU: FCS 40CPM (D091)	1
7	D009 5461	DC Harness - BICU-IOB	1
8	D009 5875	Bracket - BICU	1
9	D009 5480	Harness - IOB Upper	1
10	D009 5495	Harness - IOB-Lift Motor	1
11	D009 5486	DC Harness-IOB Lower	1
12	D009 5521	DC Harness - IOB-Motor	1
13	D009 5490	Harness - IOB Lower Behind	1
14	D009 5155	IO Board	1
15	D009 5851	Bracket - IO Board	1
16	D009 5602	Harness: AC: Inlet	1
17	D009 5855	Bracket - Inlet	1
18	D009 5431	DC Harness-DC Power Supply-IOB	1
19	D009 5425	Harness - Safety Switch	1
20	D009 5435	Harness - PSU-SIO	1
21	AZ24 0139	Power Supply Unit - 120V	1
21	AZ24 0141	Power Supply Unit - 230V	1
22	D009 5605	AC Harness - Switch	1
23	D009 5610	AC Harness - Heater	1
24	D009 5853	Bracket - Main Switch	1
25	D009 5842	Grounding Plate - BICU	1

Index No.	Part No.	Description	Q'ty Per Assembly
101	0454 3006Q	Tapping Screw - M3x6	
102	0451 3006N	Tapping Screw - 3x6	
103	0957 4008N	Screw: Small Round/Spring: M4x8	
104	1105 0487	Harness Clamp	
105	1105 0489	Harness Clamp - LWS 1316	
106	1105 0367	Spacer	
107	1102 8502	Connector - 54679-1615	
108	1204 2608	Rocker Switch: SDDJE33900	
109	0451 3008N	Tapping Screw - M3x8	
110	1407 6362	EEPROM: BR24I64-W	
111	1102 6257	Relay Connector - 14P	1
112	1102 6271	Connector: 53358-1442	1

48.Electrical Section 5 (D009/D011/D012/D013/D091/D092)



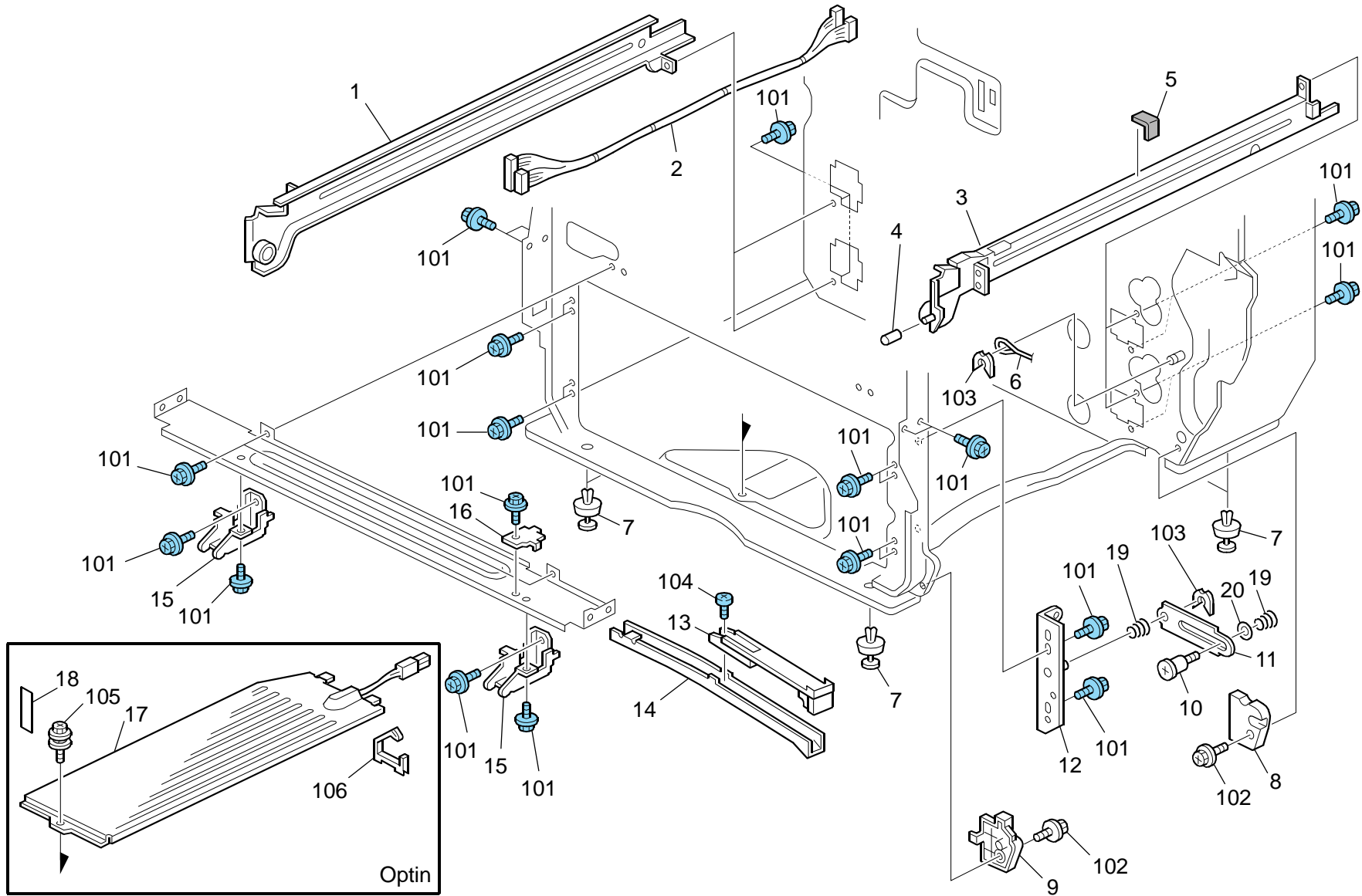
48.Electrical Section 5 (D009/D011/D012/D013/D091/D092)

Rev. 12/09/2011

Index No.	Part No.	Description	Q'ty Per Assembly
1	D009 5879	Bracket - Mother Board	1
2	D009 5182	Mother Board	1
3	D009 5881	Guide - Fax Control Unit	1
4	D009 5880	Bracket - Control Board	1
5	B154 5869	Panel: Interface: SECC	1
6	D011 5884	Cover - SD-Card	1
7	D009 5872	Large Cover - Fax Control Unit	1
8	D009 5874	Grip - C/T Box	1
9	D009 5844	Fixing Plate - Controller Board	1
10	D009 5870	Upper grip - Controller Box	1
11	M080 5320	HDD: 160GB: MK1676GSX	1
12	D362 1140	HDD Bracket	1
13	D362 5131	Cable - HDD Power	1
14	D362 5132	Harness - HDD	1
15	D009 5480	Harness - IOB Upper	1
16	AA16 1167	Rubber Cushion	2
17	AA14 3848	Stepped Screw - M3	2
18	D362 5170	PCB - HDD	1
19	D012 5733	Controller: PCB for D012 <i>[TSB#050]</i>	1
19	D012 5734	Controller: PCB for D009 <i>[TSB#050]</i>	1
19	D013 5733	Controller: PCB for D013 <i>[TSB#050]</i>	1
19	D013 5734	Controller: PCB for D011 <i>[TSB#050]</i>	1
19	D092 5714	PCB: CTL: 50 (D092)	1
19	D092 5724	PCB: CTL: 40 (D091)	1
20	D009 5899	Right Rail - Small	1
21	D009 5891	Left Rail - Fax Control Unit	1
22	B585 5140	PCB: DDR1-DIMM-32D: 512MB: Ass'y	1
23	D009 9593	NVRAM	1
24	B154 5861	Guard: Fan	1
25	AX64 0195	Fan Motor - DC 2.16W	1
26	B154 5865	Cap: Connector: USB	1
27	B129 5008	Cap - LAN Connector	1
28	D009 5886	Ground Plate- C/T Box	1
29	D092 5830	SD-Card: VM: EXP: Ass'y	1

Index No.	Part No.	Description	Q'ty Per Assembly
101	0360 3006N	Screw - M3x6	
102	0451 3006N	Tapping Screw - 3x6	
103	0452 3008N	Tapping Screw - M3x8	
104	0454 3006Q	Tapping Screw - M3x6	
105	0353 0060N	Bind Screw - M3x6	
106	0360 3030N	Screw: M3x30	
107	1105 0487	Harness Clamp	
108	1102 6246	Relay Connector - 4P	

49.Frame Section (D009/D011/D012/D013/D091/D092)



49.Frame Section (D009/D011/D012/D013/D091/D092)

Index No.	Part No.	Description	Q'ty Per Assembly
1	B223 2710	Supporter - Left No.2	1
2	D009 5475	Interface Harness - BICU-LDB	1
3	B223 2715	Supporter - Right	1
4	B223 2714	Positioning Cap - Short	1
5	AA16 1163	Cushion	1
6	B223 4524	Wire: Stopper: DIA1.5	1
7	B101 1097	Rubber Foot: H5	6
8	D009 4595	Rear Guide - Duplex Unit Set	1
9	D009 4594	Front Guide - Duplex Unit Set	1
10	AA14 3404	Stepped Screw - M4	1
11	D009 4512	Link: Stopper	1
12	B223 1120	Bracket: Paper Feed Unit	1
13	B223 1245	Cap: Grip	1
14	B223 1101	Grip: Front	1
15	B223 1102	Bracket: Grip: Right Front	1
16	D009 1093	Stopper Bracket - Grip	1
17	B223 2702	Heat Sink: Heater: NA	1
17	B223 2703	Heat Sink: Heater: EU	1
18	B237 1355	Decal - Main Switch EU OP	1
18	B237 1372	Decal - Main Switch On-Standby	1
19	D009 4513	Compression Spring: Earth: Duplex Unit	2
20	D009 4511	Spacer: DIA8.0: 1.5mm	1

Index No.	Part No.	Description	Q'ty Per Assembly
101	0454 3006Q	Tapping Screw - M3x6	
102	0451 3008N	Tapping Screw - M3x8	
103	0805 0088	Retaining Ring - M6	
104	0802 5305	Tapping Screw - M3x6	
105	1105 0522	Edge Saddle - LES0510	
106	0802 5299	Tapping Screw - M3x8	

50.Controller Board (D009/D011/D012/D013/D091/D092)

BAT

SYMBOL NO.	INDEX NO.
BAT1	114

CAPACITOR

SYMBOL NO.	INDEX NO.
---	---
---	---
---	---
C4	195
C5	193
C6	186
C7	189
C8	183
C9	186
C10	212

SYMBOL NO.	INDEX NO.
C11	195
C12	198
C13	182
C14	218
---	---
---	---
C17	195
---	---
C19	195
C20	198

SYMBOL NO.	INDEX NO.
C21	195
---	---
C23	195
C24	182
C25	193
---	---
C27	181
C28	181
C29	193
C30	218

SYMBOL NO.	INDEX NO.
C31	193
C32	180
C33	212
---	---
---	---
---	---
---	---
---	---
C39	180
---	---

SYMBOL NO.	INDEX NO.
C41	186
C42	188
C43	209
C44	194
C45	186
C46	195
C47	213
C48	192
C49	218
C50	182

SYMBOL NO.	INDEX NO.
C51	195
C52	195
---	---
C54	195
C55	195
C56	182
C57	195
C58	195
C59	195
C60	195

CAPACITOR

SYMBOL NO.	INDEX NO.
C61	192
C62	208
C63	208
C64	189
---	---
C66	195
C67	205
C68	195
C69	205
C70	200

SYMBOL NO.	INDEX NO.
C71	188
C72	197
C73	189
C74	195
C75	195
C76	215
C77	195
C78	189
C79	195
C80	192

SYMBOL NO.	INDEX NO.
C81	185
---	---
---	---
C84	192
C85	205
C86	192
C87	192
C88	200
C89	198
C90	192

SYMBOL NO.	INDEX NO.
C91	189
C92	193
C93	195
C94	189
C95	189
C96	195
C97	189
C98	182
C99	195
---	---

SYMBOL NO.	INDEX NO.
---	---
C102	186
C103	189
C104	184
---	---
---	---
C107	182
C108	189
C109	192
C110	205

SYMBOL NO.	INDEX NO.
C111	183
C112	205
C113	205
C114	195
C115	189
C116	195
C117	210
C118	188
C119	218
C120	189

SYMBOL NO.	INDEX NO.
C121	182
C122	211
C123	195
C124	179
C125	195
C126	195
C127	195
C128	195
C129	183
C130	201

50.Controller Board (D009/D011/D012/D013/D091/D092)

CAPACITOR

SYMBOL NO.	INDEX NO.	SYMBOL NO.	INDEX NO.	SYMBOL NO.	INDEX NO.	SYMBOL NO.	INDEX NO.	SYMBOL NO.	INDEX NO.	SYMBOL NO.	INDEX NO.	SYMBOL NO.	INDEX NO.
C131	189	C141	201	C151	179	C161	195	C171	195	C181	195	C191	198
C132	192	C142	201	C152	189	C162	195	C172	195	C182	207	C192	198
C133	198	C143	189	---	---	C163	208	C173	207	C183	189	C193	189
C134	182	C144	193	C154	192	C164	189	---	---	C184	189	C194	205
---	---	C145	189	---	---	C165	212	C175	189	C185	195	C195	193
C136	192	C146	189	C156	207	---	---	C176	195	C186	192	C196	189
C137	201	C147	193	C157	189	C167	212	C177	195	C187	192	C197	187
C138	218	C148	179	---	---	---	---	C178	187	C188	189	C198	195
C139	201	---	---	C159	195	C169	195	C179	195	C189	195	C199	193
C140	201	C150	189	C160	195	C170	205	C180	195	C190	195	C200	188

CAPACITOR

SYMBOL NO.	INDEX NO.	SYMBOL NO.	INDEX NO.	SYMBOL NO.	INDEX NO.	SYMBOL NO.	INDEX NO.	SYMBOL NO.	INDEX NO.	SYMBOL NO.	INDEX NO.	SYMBOL NO.	INDEX NO.
C201	187	C211	208	C221	205	C231	193	C241	195	C251	188	C261	189
C202	189	C212	195	C222	193	C232	187	C242	192	C252	195	C262	192
C203	193	C213	198	C223	187	C233	203	C243	195	C253	195	C263	192
C204	189	C214	193	C224	189	C234	195	C244	195	C254	192	C264	192
C205	208	C215	193	C225	205	C235	189	C245	189	C255	189	C265	189
C206	189	C216	187	C226	193	C236	187	---	---	C256	195	C266	195
C207	192	C217	208	C227	189	C237	192	C247	314	C257	195	---	---
C208	205	C218	213	C228	206	C238	211	C248	195	C258	187	C268	192
C209	187	C219	189	C229	193	C239	195	C249	195	C259	189	C269	192
C210	187	C220	195	C230	193	C240	195	C250	205	C260	189	C270	189

50.Controller Board (D009/D011/D012/D013/D091/D092)

CAPACITOR

SYMBOL NO.	INDEX NO.	SYMBOL NO.	INDEX NO.	SYMBOL NO.	INDEX NO.	SYMBOL NO.	INDEX NO.	SYMBOL NO.	INDEX NO.	SYMBOL NO.	INDEX NO.	SYMBOL NO.	INDEX NO.
C271	192	C281	195	C291	192	C301	189	C311	192	C321	205	C331	195
C272	189	C282	195	C292	195	C302	199	C312	192	C322	189	C332	189
C273	189	C283	205	C293	205	C303	189	C313	192	C323	192	C333	205
C274	189	---	---	C294	184	C304	199	C314	192	C324	192	C334	205
C275	192	C285	213	C295	189	C305	189	C315	192	C325	205	C335	193
C276	189	C286	195	C296	192	C306	189	C316	192	C326	192	C336	189
C276	195	C287	189	C297	189	C307	189	C317	189	C327	208	C337	187
C277	189	C288	192	C298	199	C308	189	C318	211	C328	213	C338	187
C279	189	C289	189	C299	189	C309	192	C319	195	C329	193	C339	193
C280	192	C290	192	C300	199	C310	213	C320	189	C330	195	C340	198

CAPACITOR

SYMBOL NO.	INDEX NO.	SYMBOL NO.	INDEX NO.	SYMBOL NO.	INDEX NO.	SYMBOL NO.	INDEX NO.	SYMBOL NO.	INDEX NO.	SYMBOL NO.	INDEX NO.	SYMBOL NO.	INDEX NO.
C341	189	C351	203	C361	195	C371	195	C381	189	C391	192	C401	212
C342	195	---	---	C362	189	C372	195	C382	192	C392	212	C402	212
C343	189	C353	189	C363	192	C373	195	C383	192	C393	189	C403	212
C344	189	C354	189	C364	192	C374	189	C384	192	C394	192	---	---
C345	192	C355	192	C365	195	C375	192	C385	189	C395	192	---	---
C346	205	C356	189	C366	195	C376	192	C386	192	C396	187	C406	195
C347	192	C357	188	C367	213	C377	192	C387	189	C397	187	C407	189
C348	213	C358	208	C368	213	C378	189	C388	192	---	---	C408	192
C349	195	C359	192	C369	205	C379	213	C389	189	---	---	C409	192
C350	189	C360	195	C370	189	C380	189	C390	189	---	---	C410	212

50.Controller Board (D009/D011/D012/D013/D091/D092)

CAPACITOR

SYMBOL NO.	INDEX NO.	SYMBOL NO.	INDEX NO.	SYMBOL NO.	INDEX NO.	SYMBOL NO.	INDEX NO.	SYMBOL NO.	INDEX NO.	SYMBOL NO.	INDEX NO.	SYMBOL NO.	INDEX NO.
C411	198	C421	189	C431	205	C441	195	C451	195	C461	189	C471	192
C412	212	C422	187	C432	212	C442	189	C452	195	C462	195	C472	192
C413	198	C423	213	C433	212	C443	187	C453	195	C463	189	C473	195
C414	212	C424	212	C434	212	C444	195	C454	192	C464	192	C474	195
C415	214	C425	192	C435	212	C445	189	C455	188	---	---	C475	192
C416	205	C426	198	C436	212	C446	195	C456	189	C466	195	C476	189
C417	198	C427	189	C437	195	C447	195	C457	189	C467	189	C477	192
C418	195	C428	198	C438	195	C448	205	C458	195	---	---	C478	189
C419	195	C429	212	C439	195	C449	195	C459	189	C469	205	C479	191
C420	195	C430	212	C440	189	C450	204	C460	195	C470	213	---	---

CAPACITOR

SYMBOL NO.	INDEX NO.	SYMBOL NO.	INDEX NO.	SYMBOL NO.	INDEX NO.	SYMBOL NO.	INDEX NO.	SYMBOL NO.	INDEX NO.	SYMBOL NO.	INDEX NO.	SYMBOL NO.	INDEX NO.
C481	195	C491	192	C501	203	C511	195	C521	211	C531	186	C541	310
C482	201	C492	198	C502	189	C512	192	C522	192	C532	186	C542	310
---	---	C493	195	C503	192	C513	216	C523	189	C533	189	C543	309
C484	213	C494	188	C504	195	C514	211	C524	190	C534	189	C544	308
C485	192	C495	189	C505	189	C515	314	C525	189	C535	192	C545	189
C486	189	C496	212	C506	192	C516	314	C526	216	C536	192	C546	192
C487	195	C497	188	C507	185	C517	189	C527	192	C537	192	C547	213
C488	192	C498	189	C508	201	C518	195	C528	192	C538	201	C548	182
C489	201	C499	192	C509	189	C519	195	C529	192	C539	308	C549	183
C490	189	C500	178	C510	192	C520	189	C530	186	C540	309	C550	308

50.Controller Board (D009/D011/D012/D013/D091/D092)

CAPACITOR

SYMBOL NO.	INDEX NO.	SYMBOL NO.	INDEX NO.	SYMBOL NO.	INDEX NO.	SYMBOL NO.	INDEX NO.	SYMBOL NO.	INDEX NO.	SYMBOL NO.	INDEX NO.	SYMBOL NO.	INDEX NO.
C551	309	C561	310	C571	308	---	---	C591	196	C601	314	C611	189
C552	310	---	---	C572	309	---	---	C592	205	---	---	C612	189
C553	310	C563	211	C573	310	C583	202	C593	195	C603	213	C613	189
C554	309	C564	310	C574	310	C584	179	C594	189	C604	217	C614	212
C555	308	C565	309	C575	309	C585	201	C595	194	C605	189	C615	189
C556	183	C566	308	C576	308	C586	195	C596	192	C606	198	C616	189
C557	213	C567	201	C577	179	C587	195	C597	189	C607	192	C617	195
C558	183	C568	201	C578	195	C588	195	C598	205	C608	205	C618	195
C559	308	C569	201	---	---	C589	195	C599	205	C609	208	C619	195
C560	309	C570	195	---	---	C590	195	C600	203	C610	195	C620	217

CAPACITOR

SYMBOL NO.	INDEX NO.
C621	192
C622	203
---	---
C624	192

CONNECTOR

SYMBOL NO.	INDEX NO.
CN701	101
CN702	109
CN703	105
---	---
CN705	106
CN706	106
CN707	107
CN708	104
CN709	108
CN710	103

SYMBOL NO.	INDEX NO.
CN711	102

DIODE

SYMBOL NO.	INDEX NO.
D1	124
D2	124
D3	124
D4	123
D5	122
---	---
D7	122
D8	125
D9	122
D10	122

SYMBOL NO.	INDEX NO.
D11	122

FIL

SYMBOL NO.	INDEX NO.
FIL1	220
FIL2	220
FIL3	221
FIL4	226
FIL5	226
FIL6	225
FIL7	219
FIL8	221
FIL9	221
FIL10	221

SYMBOL NO.	INDEX NO.
FIL11	222
FIL12	222
FIL13	219
FIL14	219
FIL15	219
FIL16	222
FIL17	225

50.Controller Board (D009/D011/D012/D013/D091/D092)

FUSE

SYMBOL NO.	INDEX NO.
FU1	112
FU2	110
FU3	111

IC

SYMBOL NO.	INDEX NO.
IC1	148
IC2	156
IC3	313
IC4	143
IC5	161
IC6	146
IC7	145
IC8	313
IC9	154
IC10	164

SYMBOL NO.	INDEX NO.
---	---
---	---
IC13	141
IC14	133
---	---
---	---
IC17	165
IC18	149
IC19	142
IC20	153

SYMBOL NO.	INDEX NO.
IC21	144
IC22	163
IC23	152
IC24	130
IC25	147
IC26	147
IC27	136
---	---
---	---
---	---
---	---

SYMBOL NO.	INDEX NO.
IC31	317
---	---
IC33	135
IC34	135
IC35	313
---	---
IC37	150
---	---
---	---
---	---
IC40	140

SYMBOL NO.	INDEX NO.
IC41	313
IC42	134
IC43	137
IC44	135
IC45	312
IC46	155
---	---
---	---
IC49	159
IC50	151

SYMBOL NO.	INDEX NO.
IC51	154
IC52	151
---	---
IC54	135
IC55	152
IC56	152
IC57	157
---	---
IC59	151
IC60	152

IC

SYMBOL NO.	INDEX NO.
IC61	139
IC62	158
IC63	132
IC64	131
IC65	157
IC66	152
IC67	138
IC68	137
IC69	162
IC70	160

SYMBOL NO.	INDEX NO.
IC71	151
IC72	157
IC73	136
IC74	157
---	---
IC76	133
---	---
---	---
---	---
---	---

SYMBOL NO.	INDEX NO.
---	---
---	---
---	---
---	---
IC135	311

L

SYMBOL NO.	INDEX NO.
L1	227
L2	227
L3	224
L4	228
L5	228
L6	229
L7	223

LED

SYMBOL NO.	INDEX NO.
LED1	128
LED2	127
LED3	126
LED58	129

OSC

SYMBOL NO.	INDEX NO.
OSC1	167
OSC2	166
OSC3	169
OSC4	168
OSC5	170

Q

SYMBOL NO.	INDEX NO.
Q1	118
Q2	118
Q3	121
Q4	120
Q5	121
Q6	120
---	---
Q8	116
Q9	117
Q10	121

50.Controller Board (D009/D011/D012/D013/D091/D092)

Q

RESISTOR

SYMBOL NO.	INDEX NO.	SYMBOL NO.	INDEX NO.	SYMBOL NO.	INDEX NO.	SYMBOL NO.	INDEX NO.	SYMBOL NO.	INDEX NO.	SYMBOL NO.	INDEX NO.	SYMBOL NO.	INDEX NO.
Q11	115	R1	242	R11	274	R21	288	R31	277	R41	294	R51	278
Q12	115	R2	242	R12	242	R22	300	R32	261	R42	294	R52	270
---	---	R3	289	R13	299	R23	277	R33	267	R43	261	R53	249
Q14	119	R4	242	---	---	R24	300	R34	273	R44	249	R54	261
Q15	119	R5	242	R15	277	R25	298	R35	289	R45	249	R55	303
		R6	242	R16	272	R26	277	R36	278	R46	278	R56	298
		R7	289	R17	242	R27	290	R37	278	R47	293	R57	270
		R8	274	R18	259	R28	298	R38	284	R48	278	R58	249
		R9	293	R19	288	R29	300	---	---	R49	259	R59	290
		R10	269	R20	300	R30	259	---	---	R50	293	R60	278

RESISTOR

SYMBOL NO.	INDEX NO.	SYMBOL NO.	INDEX NO.	SYMBOL NO.	INDEX NO.	SYMBOL NO.	INDEX NO.	SYMBOL NO.	INDEX NO.	SYMBOL NO.	INDEX NO.	SYMBOL NO.	INDEX NO.
R61	270	R71	270	R81	261	R91	279	R101	256	R111	290	R121	298
R62	249	R72	277	R82	261	---	---	R102	285	R112	274	---	---
R62	278	R73	298	R83	259	R93	290	R103	290	R113	277	R123	279
R64	259	R74	274	R84	298	R94	278	R104	259	---	---	R124	278
R65	270	---	---	R85	278	R95	305	---	---	---	---	R125	247
R66	243	R76	298	R86	290	R96	292	R106	305	R116	298	R126	259
R67	270	R77	289	R87	278	R97	278	---	---	R117	298	R127	253
R68	259	R78	289	R88	290	R98	291	R108	261	R118	279	R128	298
R69	290	R79	278	R89	278	R99	290	R109	298	R119	248	R129	290
R70	243	R80	305	R90	290	R100	278	R110	290	R120	286	R130	278

50.Controller Board (D009/D011/D012/D013/D091/D092)

RESISTOR

SYMBOL NO.	INDEX NO.	SYMBOL NO.	INDEX NO.	SYMBOL NO.	INDEX NO.	SYMBOL NO.	INDEX NO.	SYMBOL NO.	INDEX NO.	SYMBOL NO.	INDEX NO.	SYMBOL NO.	INDEX NO.
R131	248	R141	248	R151	278	R161	259	R171	290	R181	259	R191	242
R132	277	R142	249	---	---	---	---	R172	290	R182	249	---	---
R133	277	---	---	R153	278	R163	290	R173	290	R183	249	---	---
R134	277	R144	274	R154	277	R164	297	R174	290	R184	290	R194	249
R135	306	R145	248	R155	277	R165	259	---	---	R185	259	---	---
R136	306	---	---	R156	277	R166	258	R176	252	R186	248	---	---
R137	290	R147	249	R157	255	R167	259	R177	296	---	---	R197	280
R138	255	R148	295	R158	255	R168	259	R178	248	---	---	R198	249
---	---	R149	261	R159	304	R169	274	R179	249	R189	248	---	---
R140	255	R150	290	R160	248	R170	290	R180	290	R190	296	---	---

RESISTOR

SYMBOL NO.	INDEX NO.	SYMBOL NO.	INDEX NO.	SYMBOL NO.	INDEX NO.	SYMBOL NO.	INDEX NO.	SYMBOL NO.	INDEX NO.	SYMBOL NO.	INDEX NO.	SYMBOL NO.	INDEX NO.
R201	248	R211	249	---	---	R231	315	R241	259	R251	249	R261	259
---	---	R212	250	R222	315	R232	248	R242	242	R252	249	R262	268
R203	258	R213	238	R223	249	R233	248	R243	316	R253	250	R263	275
R204	259	R214	238	---	---	R234	301	R244	315	R254	248	---	---
---	---	---	---	---	---	R235	243	R245	315	R255	259	R265	259
---	---	R216	250	R226	248	R236	315	R246	243	R256	318	R266	249
R207	248	---	---	R227	302	R237	315	R247	315	R257	249	R267	259
R208	285	R218	250	R228	315	R238	249	R248	259	R258	259	R268	249
R209	249	---	---	---	---	R239	259	---	---	R259	274	---	---
R210	247	---	---	R230	315	R240	259	---	---	R260	274	R270	249

50.Controller Board (D009/D011/D012/D013/D091/D092)

RESISTOR

SYMBOL NO.	INDEX NO.	SYMBOL NO.	INDEX NO.	SYMBOL NO.	INDEX NO.	SYMBOL NO.	INDEX NO.	SYMBOL NO.	INDEX NO.	SYMBOL NO.	INDEX NO.	SYMBOL NO.	INDEX NO.
R271	249	---	---	R291	252	R301	249	R311	259	R321	242	R331	242
R272	275	R282	243	R292	242	R302	259	R312	242	R322	247	---	---
R273	274	R283	268	R293	247	R303	259	---	---	R323	259	R333	289
R274	259	R284	249	R294	252	R304	259	R314	249	R324	259	---	---
R275	249	R285	248	R295	249	R305	259	---	---	R325	249	R335	284
R276	268	---	---	---	---	R306	259	---	---	---	---	---	---
R277	249	R287	274	R297	249	R307	249	R317	249	R327	249	R337	242
---	---	R288	274	R298	249	R308	249	R318	263	R328	249	---	---
R279	259	R289	248	---	---	R309	259	R319	242	R329	249	R339	289
---	---	R290	242	---	---	R310	259	R320	242	---	---	---	---

RESISTOR

SYMBOL NO.	INDEX NO.	SYMBOL NO.	INDEX NO.	SYMBOL NO.	INDEX NO.	SYMBOL NO.	INDEX NO.	SYMBOL NO.	INDEX NO.	SYMBOL NO.	INDEX NO.	SYMBOL NO.	INDEX NO.
---	---	---	---	R361	249	R371	257	R381	259	R391	296	R401	298
R342	247	---	---	---	---	R372	289	R382	279	R392	243	R402	243
---	---	---	---	R363	261	R373	259	R383	279	R393	278	R403	298
---	---	---	---	R364	242	R374	259	---	---	R394	283	R404	278
---	---	---	---	R365	242	R375	290	R385	296	R395	305	R405	278
R346	277	---	---	---	---	R376	281	R386	279	R396	305	R406	251
---	---	R357	261	---	---	R377	289	R387	279	R397	243	---	---
R348	298	R358	261	R368	247	R378	289	R388	278	R398	278	R408	243
---	---	R359	290	R369	249	R379	289	R389	305	R399	278	R409	278
---	---	---	---	---	---	R380	289	R390	296	---	---	R410	278

50.Controller Board (D009/D011/D012/D013/D091/D092)

RESISTOR

SYMBOL NO.	INDEX NO.	SYMBOL NO.	INDEX NO.	SYMBOL NO.	INDEX NO.	SYMBOL NO.	INDEX NO.	SYMBOL NO.	INDEX NO.	SYMBOL NO.	INDEX NO.	SYMBOL NO.	INDEX NO.
R411	251	R421	290	---	---	R441	278	R451	248	R461	278	---	---
R412	240	---	---	R432	290	R442	274	R452	259	R462	290	---	---
R413	239	R423	296	R433	278	---	---	R453	305	R463	249	---	---
R414	278	R424	305	R434	290	R444	278	---	---	R464	249	---	---
R415	247	---	---	R435	278	R445	278	---	---	---	---	---	---
---	---	R426	290	R436	260	R446	290	---	---	---	---	---	---
R417	278	R427	305	R437	278	R447	277	R457	248	---	---	R477	278
R418	296	R428	260	R438	282	R448	240	R458	241	R468	278	R478	259
R419	305	R429	274	R439	259	---	---	---	---	R469	259	R479	259
R420	278	R430	274	R440	278	R450	278	R460	278	R470	249	R480	248

RESISTOR

SYMBOL NO.	INDEX NO.	SYMBOL NO.	INDEX NO.	SYMBOL NO.	INDEX NO.	SYMBOL NO.	INDEX NO.	SYMBOL NO.	INDEX NO.	SYMBOL NO.	INDEX NO.	SYMBOL NO.	INDEX NO.
R481	249	R491	287	R501	296	---	---	R521	255	R531	279	R541	290
R482	248	R492	274	R502	296	---	---	---	---	R532	248	R542	290
R483	249	R493	274	---	---	R513	248	R523	248	R533	277	R543	255
R484	277	---	---	R504	249	R514	242	R524	249	R534	277	R544	255
---	---	R495	278	---	---	---	---	---	---	R535	279	R545	248
---	---	R496	296	R506	249	---	---	R526	247	R536	259	R546	290
R487	259	R497	259	---	---	R517	249	R527	255	R537	290	R547	290
R488	278	R498	274	R508	242	R518	296	R528	249	R538	277	R548	255
R489	249	R499	278	R509	278	R519	255	R529	248	R539	259	R549	247
R490	259	R500	279	R510	279	---	---	---	---	R540	290	R550	259

50.Controller Board (D009/D011/D012/D013/D091/D092)

RESISTOR

SYMBOL NO.	INDEX NO.	SYMBOL NO.	INDEX NO.	SYMBOL NO.	INDEX NO.	SYMBOL NO.	INDEX NO.	SYMBOL NO.	INDEX NO.	SYMBOL NO.	INDEX NO.	SYMBOL NO.	INDEX NO.
R551	259	---	---	R571	247	R581	265	R591	261	R601	259	---	---
R552	259	R562	290	R572	260	R582	265	R592	261	R602	289	R612	259
R553	290	R563	259	R573	261	R583	265	R593	249	R603	289	R613	262
R554	259	---	---	---	---	---	---	R594	261	R604	289	R614	262
R555	254	R565	290	---	---	R585	260	R595	244	---	---	---	---
R556	249	R566	252	R576	248	R586	260	R596	246	R606	249	R616	259
---	---	R567	252	R577	248	R587	289	R597	246	---	---	---	---
R558	255	---	---	R578	265	R588	262	---	---	---	---	R618	262
R559	254	R569	249	R579	265	R589	274	R599	245	R609	307	R619	289
R560	254	R570	290	R580	265	---	---	R600	258	---	---	R620	262

RESISTOR

SYMBOL NO.	INDEX NO.	SYMBOL NO.	INDEX NO.	SYMBOL NO.	INDEX NO.	SYMBOL NO.	INDEX NO.	SYMBOL NO.	INDEX NO.	SYMBOL NO.	INDEX NO.	SYMBOL NO.	INDEX NO.
R621	289	R631	249	R641	259	R651	274	R661	259	R671	259	R681	242
R622	248	---	---	R642	261	R652	261	R662	293	R672	259	---	---
R623	248	R633	259	R643	279	---	---	---	---	---	---	R683	243
R624	248	R634	260	R644	264	---	---	R664	261	---	---	R684	243
R625	249	---	---	R645	262	---	---	R665	274	R675	290	---	---
---	---	R636	259	R646	293	R656	249	---	---	R676	290	---	---
---	---	R637	259	R647	289	R657	276	R667	278	R677	277	R687	259
R628	278	R638	259	---	---	---	---	R668	259	R678	249	R688	259
R629	249	---	---	R649	274	---	---	R669	259	R679	290	R689	243
R630	249	R640	259	R650	274	R660	259	R670	259	---	---	R690	243

50.Controller Board (D009/D011/D012/D013/D091/D092)

RESISTOR

SYMBOL NO.	INDEX NO.	SYMBOL NO.	INDEX NO.	SYMBOL NO.	INDEX NO.	SYMBOL NO.	INDEX NO.	SYMBOL NO.	INDEX NO.	SYMBOL NO.	INDEX NO.	SYMBOL NO.	INDEX NO.
R691	243	---	---	R711	255	R721	255	---	---	---	---	R771	293
R692	266	---	---	---	---	R722	255	---	---	---	---	---	---
R693	242	---	---	---	---	---	---	---	---	---	---	---	---
R694	243	R704	271	R714	242	---	---	R734	274	---	---	---	---
R695	242	R705	274	---	---	R725	255	---	---	R765	259	---	---
---	---	---	---	---	---	R726	274	---	---	R766	259	---	---
R697	243	---	---	R717	242	---	---	---	---	---	---	---	---
R698	243	R708	277	---	---	---	---	---	---	---	---	---	---
R699	255	R709	274	---	---	---	---	R739	242	---	---	---	---
R700	242	R710	249	R720	255	---	---	---	---	R770	293	---	---

RN

SYMBOL NO.	INDEX NO.	SYMBOL NO.	INDEX NO.	SYMBOL NO.	INDEX NO.	SYMBOL NO.	INDEX NO.	SYMBOL NO.	INDEX NO.	SYMBOL NO.	INDEX NO.	SYMBOL NO.	INDEX NO.
RN1	173	RN11	234	RN21	173	RN31	230	RN41	233	RN51	174	---	---
RN2	232	RN12	232	RN22	231	RN32	230	RN42	232	RN52	231	RN62	171
RN3	171	RN13	234	RN23	176	RN33	230	RN43	231	RN53	237	---	---
RN4	175	RN14	236	RN24	235	RN34	233	RN44	175	RN54	237	RN64	237
RN5	230	RN15	174	RN25	173	RN35	231	RN45	171	RN55	230	RN65	236
RN6	171	RN16	172	RN26	233	RN36	171	RN46	171	RN56	234	RN66	230
RN7	173	RN17	236	RN27	231	RN37	233	RN47	171	---	---	RN67	237
RN8	235	RN18	232	RN28	173	RN38	233	RN48	231	RN58	171	RN68	177
RN9	235	RN19	235	RN29	233	RN39	171	---	---	---	---	RN69	231
RN10	234	RN20	231	RN30	230	RN40	231	RN50	233	RN60	234	RN70	230

50.Controller Board (D009/D011/D012/D013/D091/D092)

RN

SYMBOL NO.	INDEX NO.
RN71	236
RN72	233
RN73	230
RN74	177
RN75	173
RN76	236
---	---
RN78	236
RN79	231
RN80	230

SYMBOL NO.	INDEX NO.
RN81	176

SW

SYMBOL NO.	INDEX NO.
---	---
SW2	113

50.Controller Board (D009/D011/D012/D013/D091/D092)

Rev. 02/02/2011

Index No.	Part No.	Description	Q'ty Per Assembly
*	D012 5733	Controller: PCB for D012 [TSB#050]	1
*	D012 5734	Controller: PCB for D009 [TSB#050]	1
*	D013 5733	Controller: PCB for D013 [TSB#050]	1
*	D013 5734	Controller: PCB for D011 [TSB#050]	1
*	D092 5714	PCB: CTL: 50 (D092)	1
*	D092 5724	PCB: CTL: 40 (D091)	1

Index No.	Part No.	Description	Q'ty Per Assembly
101	1102 6790	Connector - 100R-LT-N1	
102	1102 7615	Connector - B8B-XH-A	
103	1102 8212	Connector: TX24-50R-10ST-H1E	
104	1102 8329	Connector - USB - UBB-4R-D14C	
105	1103 4234	RHM-176P-SDK11-UH1L1C(LF)(SN)	
106	1102 9336	Connector: FPS009-2300-0	
107	1102 9890	Connector: 5-1605706-2	
108	1102 9956	Connector: UBA-4R-D14T-4D(LF)(SN)	
109	1103 4043	Connector: 87825-1001	
110	1107 1083	Fuse: SST 4	
111	1107 1099	Fuse SST 5	
112	1109 0009	IC - MINISMDC075-02	
113	1204 2791	DIP Switch: DM-04-V	
114	1206 0124	Lithium Cell: CR2032VO4H/Z	
115	1401 1318	FET - HAT2198R	
116	1401 1414	FET: SI3433BDV-E3	
117	1401 1415	FET: SI3434DV-E3	
118	1401 1448	FET: SI3447BDV-E3	
119	1401 1457	FET: TPCP8102	
120	1401 1466	FET: SI4800BDY-E3	
121	1401 1475	FET: SI3867DV-E3	
122	1402 1336	Diode - 1SS355	
123	1402 1365	Diode-RB751V-40	
124	1402 1929	Diode: RB160M-30	
125	1402 2039	Diode: RSX301LA-30	
126	1403 0953	LED - SML-310MT	
127	1403 0978	LED - SML-310DT	
128	1403 1131	LED: SML-311UT	
129	1407 4919	IC - 74VHCT244 TSSOP	
130	1407 5009	CMOS Logic: TC7SET04FU	
131	1407 5010	IC - TC7SET08FU	
132	1407 5190	CMOS Logic: TC7SZ08FU	
133	1407 5192	CMOS Logic: TC7SZ04FU	
134	1407 5300	CMOS Logic - 74LVC16244A TSSOP	
135	1407 5351	IC - SN74LV14APW	

Index No.	Part No.	Description	Q'ty Per Assembly
136	1407 5482	IC - SN74LVC07APW	
137	1407 5520	CMOS Logic: SN74LVC125APW	
138	1407 5523	ROM - I2C SOP 3V	
139	1407 5528	IC - SN74LVC126APW	
140	1407 5604	CMOS Logic: SN74LVC16245ADGG	
141	1407 6145	IC: SN74LVC373APW	
142	1407 6265	Real Time Clock: R2025S	
143	1407 6386	CPU: RM7035C-533L-REV1.1	
144	1407 6400	Clock Generator - ICS960013BFLF	
145	1407 6671	USB Controller: UPD720102GC-YEB-A	
146	1407 6723	Custom IC: Cornet	
147	1104 0821	IC Socket: 16008-B0A0020N	
148	1407 6741	LAN Controller LSI: DP83848JSQ/NOPB	
149	1407 6751	CMOS Logic: HD74LV1GW07ACM	
150	1407 6801	CMOS Logic: TC7PA17FU	
151	1407 6803	CMOS Logic: TC7SZ07FU	
152	1407 6853	CMOS Logic: HD74LV1GW17ACM	
153	1407 6863	Controller: ST19WP18FT28PVG1	
154	1407 6898	CMOS Logic: TC7WH126FK	
155	1407 6899	CMOS Logic: TC7WH125FK	
156	1407 6944	USB Controller IC: ST72681/R21	
157	1407 6951	CMOS Logic: TC7MBL3245SFK	
158	1408 1826	IC - R3112Q421A	
159	1408 2053	IC: R3112Q291A-FA	
160	1408 2062	IC: R3112Q221A-FA	
161	1408 2087	IC: LTC3736EUF#TRPBF	
162	1408 2180	IC - BD3531F	
163	1408 2449	DC/DC Converter: BD9104FVM	
164	1408 2463	DDR Terminator - TPS51116PWP4	
165	1408 2484	IC: LTC3808EDE#PBF	
166	1503 1138	Crystal Oscillator - 48MHz	
167	1503 1355	Crystal Oscillator: 25MHz	
168	1503 1362	Crystal Oscillator: 30MHz	
169	1503 1363	Crystal Oscillator: 12MHz	
170	1503 1379	Crystal Oscillator: 14.31818MHz	

Index No.	Part No.	Description	Q'ty Per Assembly
171	1601 7887	Resistor Array - 10K Ω \pm 5% 1/32W	
172	1601 7896	Resistor Array - 56 Ω \pm 5% 1/32W	
173	1601 7898	Resistor Array	
174	1601 7913	Resistor 22 Ω \pm 5% 1/32W	
175	1601 7914	Resistor Array - 47 Ω \pm 5%	
176	1601 7959	Resistor	
177	1601 7981	Resistor Array - 100K Ω \pm 5% 1/16W	
178	1604 5724	Capacitor: 100 μ F: \pm 20%: 2V	
179	1605 1124	Capacitor - 4.7 μ F+80 -20% 10V	
180	1605 1197	Capacitor - 6pF \pm 0.5pF 50V	
181	1605 1199	Capacitor - 8pF \pm 0.5pF 50V	
182	1605 1200	Capacitor - 10pF \pm 0.5pF 50V	
183	1605 1204	Capacitor-pF50V	
184	1605 1206	Capacitor - 47pF \pm 5% 50V	
185	1605 1207	Capacitor - 68pF \pm 5% 50V	
186	1605 1208	Capacitor: 100pF: \pm 5%: 50V	
187	1605 1211	Capacitor - 220pF \pm 10% 50V	
188	1605 1212	Capacitor - 470pF \pm 10% 50V	
189	1605 1214	Capacitor - 1000pF \pm 10% 50V	
190	1605 1216	Capacitor - 2200pF \pm 10% 50V	
191	1605 1218	Capacitor: 4700pF: \pm 10%: 25V	
192	1605 1221	Capacitor - 0.1 μ F+80-20%16V	
193	1605 1240	Capacitor - 0.01 μ F \pm 10% 25V	
194	1605 1284	Capacitor: 1500pF: \pm 10%: 50V	
195	1605 1289	Capacitor - 0.1 μ F \pm 10% 10V	
196	1605 1291	Capacitor: 2.2 μ F: \pm 10%: 10V	
197	1605 1293	Capacitor - 27pF \pm 5%50V	
198	1605 1295	Capacitor: 10 μ F: +80-20%: 10V	
199	1605 1296	Capacitor - 330pF \pm 10% 50V	
200	1605 1301	Capacitor-6800pF \pm 10% 50V	
201	1605 1306	Capacitor - 1 μ F \pm 10% 10V	
202	1605 1307	Capacitor - 2.2 μ F+80-20% 11V	
203	1605 1358	Capacitor - 10 μ F \pm 10% 10V	
204	1605 1376	Capacitor - 0.033 μ F- \pm 10%: 25V	
205	1605 1406	Capacitor - 10 μ F \pm 10% 6.3V	

Index No.	Part No.	Description	Q'ty Per Assembly
206	1605 1451	Capacitor: 0.47 μ F: \pm 10%: 6.3V	
207	1605 1452	Capacitor - 1 μ F \pm 10% 6.3V	
208	1605 1474	Capacitor - 47 μ F \pm 20% 6.3V	
209	1605 1475	Resistor - 1 μ F \pm 10% 16V	
210	1605 1544	Resistor - 330pF \pm 5% 50V	
211	1605 1563	Capacitor: 10 μ F: \pm 10%: 10V	
212	1605 1583	Capacitor - 0.1 μ F: \pm 10%: 16V	
213	1605 1587	Capacitor: 22 μ F: \pm 20%: 6.3V	
214	1605 1602	Capacitor: 3.3 μ F: \pm 10%: 6.3V	
215	1605 1605	Capacitor - 4.7 μ F \pm 10% 10V	
216	1605 1607	Capacitor: 22 μ F: +80-20%: 6.3V	
217	1605 1689	Capacitor: 100 μ F: \pm 20%: 6.3V	
218	1606 2319	Capacitor: 100 μ F: \pm 20%: 6.3V	
219	1607 1014	EMI Filter - BLM11P600SPB	
220	1607 1051	Filter - FBMJ2125HS420	
221	1607 1061	Filter - BLM11P300SPB	
222	1607 1199	Filter - BLM21PG600SN1B	
223	1607 1477	Inductor - RLF7030-4R7M3R4	
224	1607 1556	Inductor: RLF7030-1R5N6R1	
225	1607 1567	Filter: MPZ2012S101A	
226	1607 1572	Filter: MPZ1608S101A	
227	1607 1637	Coil: ACM2012-900-2P	
228	1607 1827	Inductor: RLF7030-2R2M5R4	
229	1607 1946	Inductor: VLF10040-2R2N7R1	
230	1609 0005	Resistor: 33 Ω : \pm 5%: 1/16W	
231	1609 0006	Resistor: 10K Ω : \pm 5%: 1/16W	
232	1609 0007	Resistor - 68 Ω \pm 5% 1/16W	
233	1609 0011	Resistor: 22 Ω : \pm 5%: 1/16W	
234	1609 0016	Resistor: 56 Ω : \pm 5%: 1/16W	
235	1609 0020	Resistor: 10 Ω : \pm 5%: 1/16W	
236	1609 0026	Resistor - 47 Ω \pm 5% 1/16W	
237	1609 0027	Resistor - 100K Ω \pm 5% 1/16W	
238	1610 1900	Resistor: 56K Ω : \pm 0.5%: 1/16W 1005	
239	1610 2045	Resistor: 115K Ω : \pm 0.1%: 1/10W: 2125	
240	1610 2046	Resistor: 25.5K Ω : \pm 0.1%: 1/10W: 2125	

Index No.	Part No.	Description	Q'ty Per Assembly
241	1610 2047	Resistor: 30.1K Ω : \pm 0.1%: 1/10W: 2125	
242	1633 0000	Resistor - 0 Ω 1/10W	
243	1634 0000	Resistor - 0 Ω 1/16W	
244	1650 4101	Resistor - 100 Ω \pm 5%1/10W	
245	1650 4470	Resistor - 47 Ω \pm 5%1/10W	
246	1650 4472	Resistor - 4.7K Ω \pm 5% 1/10W	
247	1650 5101	Chip Resistor - 100 Ω \pm 5%1/16W	
248	1650 5102	Chip Resistor - 1K Ω \pm 5%1/16W	
249	1650 5103	Chip Resistor - 10K Ω \pm 5%1/16W	
250	1650 5104	Chip Resistor - 100K Ω \pm 5%1/16W	
251	1650 5109	Chip Resistor 1 Ω \pm 5% 1/16W	
252	1650 5122	Chip Resistor - 1.2K Ω \pm 5%1/16W	
253	1650 5152	Chip Resistor: 1.5K Ω : \pm 5%: 1/16W	
254	1650 5203	Resistor - 20K Ω \pm 5% 1/16W	
255	1650 5220	Resistor - 22 Ω \pm 5% 1/16W	
256	1650 5221	Chip Resistor - 220 Ω \pm 5%1/16W	
257	1650 5222	Resistor - 2.2K Ω \pm 5% 1/16W	
258	1650 5272	Chip Resistor: 2.7K Ω : \pm 5%: 1/16W	
259	1650 5330	Chip Resistor - 33 Ω \pm 5%1/16W	
260	1650 5470	Chip Resistor 47 Ω \pm 5% 1/16W	
261	1650 5472	Chip Resistor: 4.7K Ω : \pm 5%: 1/16W	
262	1650 5560	Chip Resistor 56 Ω \pm 5% 1/16W	
263	1650 5621	Chip Resistor 620 Ω \pm 5% 1/16W	
264	1650 5683	Chip Resistor 68K Ω \pm 5% 1/16W	
265	1650 5822	Chip Resistor: 8.2K Ω : \pm 5%: 1/16W	
266	1654 1002	Resistor - 10K Ω \pm 5%1/10W	
267	1654 1004	Chip Resistor - 1M Ω \pm 1% 1/10W	
268	1654 1009	Resistor - 10 Ω \pm 1% 1/10W	
269	1654 1502	Resistor - 15K Ω \pm 1% 1/10W	
270	1654 1509	Chip Resistor: 15 Ω : \pm 1%: 1/10W	
271	1654 2200	Resistor: 220 Ω : \pm 1%: 1/10W: 1608	
272	1654 3002	Resistor - 30K Ω \pm 1%1/10W	
273	1654 6800	Resistor - 680 Ω \pm 1% 1/10W	
274	1655 0000	Chip Resistor - 0 Ω \pm 0%1/16W	
275	1655 1000	Chip Resistor: 100 Ω : \pm 1%: 1/16W	

Index No.	Part No.	Description	Q'ty Per Assembly
276	1655 1001	Chip Resistor - 1K Ω \pm 1% 1/16W	
277	1655 1002	Chip Resistor - 10K Ω \pm 1% 1/16W	
278	1655 1003	Chip Resistor - 100K Ω \pm 1% 1/16W	
279	1655 1009	Resistor - 10 Ω \pm 1% 1/16W	
280	1655 1109	Resistor: 11 Ω : \pm 1%: 1/16W: 1005	
281	1655 1132	Resistor: 11.3K Ω : \pm 1%: 1/16W: 1005	
282	1655 1200	Resistor - 120 Ω \pm 1% 1/16W	
283	1655 1242	Resistor: 12.4K Ω : \pm 1%: 1/16W: 1005	
284	1655 1501	Chip Resistor 1.5K Ω \pm 1% 1/16W	
285	1655 1502	Resistor - 15K Ω \pm 1% 1/16W	
286	1655 1601	Resistor: 1.6K Ω : \pm 1%: 1/16W: 1005	
287	1655 1651	Resistor: 1.65K Ω : \pm 1%: 1/16W: 1005	
288	1655 2200	Resistor - 220 Ω \pm 1% 1/16W	
289	1655 2201	Resistor: 2.2K Ω : \pm 1%: 1/16W: 1005	
290	1655 2209	Resistor - 22 Ω \pm 1% 1/16W	
291	1655 2552	Resistor: 25.5K Ω : \pm 1%: 1/16W: 1005	
292	1655 3012	Resistor: 30.1K Ω : \pm 1%: 1/16W: 1005	
293	1655 3309	Resistor - 33 Ω \pm 1% 1/16W	
294	1655 3909	Resistor 39 Ω \pm 1% 1/16W	
295	1655 4700	Resistor - 470 Ω \pm 1% 1/16W	
296	1655 4701	Chip Resistor - 4.7K Ω \pm 1% 1/16W	
297	1655 4702	Chip Resistor: 47K Ω : \pm 1%: 1/16W: 1005	
298	1655 4709	Resistor - 47 Ω \pm 1% 1/16W	
299	1655 4871	Resistor: 4.87K Ω : \pm 1%: 1/16W: 1005	
300	1655 4999	Resistor - 49.9 Ω \pm 1% 1/16W	
301	1655 5102	Resistor: 51K Ω : \pm 1%: 1/16W: 1005	
302	1655 5103	Resistor: 510K Ω : \pm 1%: 1/16W: 1005	
303	1655 5600	Resistor - 560 Ω \pm 1% 1/16W	
304	1655 5601	Resistor - 5.6K Ω \pm 1% 1/16W	
305	1655 5609	Resistor - 56 Ω \pm 1% 1/16W	
306	1655 6809	Chip Resistor - 68 Ω \pm 1% 1/16W	
307	1655 9101	Resistor - 9.1K Ω \pm 1% 1/16W	
308	1660 2101	Capacitor - 100pF - \pm 10% - 50V	
309	1660 2471	Capacitor - 470pF - \pm 5% - 50V	
310	1660 4103	Capacitor - 10000pF - \pm 10% - 50V	

Index No.	Part No.	Description	Q'ty Per Assembly
311	1660 8104	Capacitor - 0.1 μ F+80-20% 25V	
312	1906 0117	Flash Memory: S29GL032A90TFIR20	
313	1907 0077	DDR512M: 8Mx16x4: 333MHZ: CL2.5G3	
314	1605 1681	Capacitor: 22 μ F: \pm 20%: 10V	
315	1654 2209	Resistor - 22 Ω \pm 1% 1/10W	
316	1654 3309	Resistor - 33 Ω \pm 1% 1/10W	
317	1906 0120	NAND Flash: 1G: x8: 30NS: 3.3V: 2KB	
318	1654 1809	Resistor: 18 Ω : \pm 1%: 1/10W: 1608	

51.BICU Board (D009/D011/D012/D013/D091/D092)

CAPACITOR

SYMBOL NO.	INDEX NO.	SYMBOL NO.	INDEX NO.	SYMBOL NO.	INDEX NO.	SYMBOL NO.	INDEX NO.	SYMBOL NO.	INDEX NO.	SYMBOL NO.	INDEX NO.	SYMBOL NO.	INDEX NO.
C1	167	C11	168	C21	167	C31	170	C41	170	C51	175	C61	170
C2	167	C12	174	C22	170	C32	167	C42	167	C52	170	C62	168
---	---	C13	164	C23	167	C33	170	C43	170	C53	180	C63	170
---	---	C14	168	C24	167	C34	167	C44	170	C54	173	C64	175
C5	174	C15	168	C25	170	C35	167	C45	171	C55	167	C65	167
C6	168	C16	174	C26	170	C36	167	C46	168	C56	175	C66	180
C7	168	C17	167	C27	167	C37	170	C47	171	C57	175	C67	167
C8	168	C18	170	C28	170	C38	170	C48	170	C58	170	C68	164
C9	168	C19	170	C29	167	C39	168	C49	168	C59	175	C69	177
C10	174	C20	170	C30	170	C40	167	C50	175	C60	170	C70	177

CAPACITOR

SYMBOL NO.	INDEX NO.	SYMBOL NO.	INDEX NO.	SYMBOL NO.	INDEX NO.	SYMBOL NO.	INDEX NO.	SYMBOL NO.	INDEX NO.	SYMBOL NO.	INDEX NO.	SYMBOL NO.	INDEX NO.
C71	177	C81	170	C91	160	C101	172	C111	170	C121	170	C131	170
C72	177	C82	167	C92	174	C102	184	C112	175	C122	165	C132	170
---	---	C83	167	C93	167	C103	170	C113	170	---	---	C133	170
C74	171	C84	167	C94	171	C104	178	---	---	C124	170	C134	170
---	---	C85	167	C95	167	C105	170	C115	160	C125	174	C135	170
C76	174	C86	167	C96	167	C106	169	C116	160	C126	156	C136	167
C77	164	C87	174	C97	170	---	---	---	---	C127	156	C137	170
C78	164	C88	167	C98	170	---	---	C118	161	C128	170	---	---
C79	170	C89	162	C99	154	---	---	C119	170	C129	170	C139	174
C80	174	C90	159	C100	182	---	---	C120	155	C130	171	C140	167

51.BICU Board (D009/D011/D012/D013/D091/D092)

CAPACITOR

SYMBOL NO.	INDEX NO.	SYMBOL NO.	INDEX NO.	SYMBOL NO.	INDEX NO.	SYMBOL NO.	INDEX NO.	SYMBOL NO.	INDEX NO.	SYMBOL NO.	INDEX NO.	SYMBOL NO.	INDEX NO.
C141	170	C151	167	C161	178	C171	167	C181	170	C191	170	C201	175
C142	162	C152	170	C162	170	C172	170	C182	170	---	---	---	---
C143	162	C153	170	---	---	C173	174	C183	170	---	---	---	---
C144	174	C154	178	C164	164	C174	153	C184	170	C194	170	C204	174
C145	163	C155	178	C165	167	C175	170	C185	153	C195	176	C205	166
C146	174	---	---	C166	170	C176	167	---	---	C196	166	C206	166
---	---	C157	156	C167	178	C177	170	---	---	C197	168	C207	168
---	---	C158	178	---	---	C178	167	---	---	C198	168	C208	168
---	---	C159	170	C169	170	C179	169	C189	167	C199	174	C209	162
C150	167	C160	156	C170	174	C180	157	C190	167	C200	181	C210	181

CAPACITOR

SYMBOL NO.	INDEX NO.	SYMBOL NO.	INDEX NO.	SYMBOL NO.	INDEX NO.	SYMBOL NO.	INDEX NO.	SYMBOL NO.	INDEX NO.	SYMBOL NO.	INDEX NO.	SYMBOL NO.	INDEX NO.
C211	175	C221	172	C231	164	C241	170	C251	170	C261	167	C271	179
C212	162	C222	164	C232	174	C242	167	C252	167	C262	171	C272	179
C213	170	C223	164	C233	167	C243	170	C253	171	C263	170	C273	170
C214	167	C224	172	C234	167	C244	156	C254	170	C264	167	C274	167
C215	167	C225	172	C235	170	C245	170	C255	167	C265	178	C275	170
C216	170	C226	172	C236	167	C246	178	C256	171	C266	170	C276	171
C217	172	C227	172	C237	170	C247	170	C257	170	C267	167	C277	171
C218	172	C228	172	C238	167	C248	156	C258	167	C268	178	C278	178
C219	172	C229	183	C239	170	C249	170	C259	171	C269	170	C279	170
C220	172	C230	164	C240	167	C250	178	C260	170	C270	167	C280	156

51.BICU Board (D009/D011/D012/D013/D091/D092)

CAPACITOR

SYMBOL NO.	INDEX NO.	SYMBOL NO.	INDEX NO.	SYMBOL NO.	INDEX NO.	SYMBOL NO.	INDEX NO.	SYMBOL NO.	INDEX NO.	SYMBOL NO.	INDEX NO.	SYMBOL NO.	INDEX NO.
C281	167	C291	170	C301	167	C311	167	C321	167	C331	170	C341	168
C282	170	C292	170	C302	170	C312	170	C322	170	C332	174	C342	168
C283	167	C293	167	C303	167	C313	171	C323	167	C333	170	C343	178
C284	170	C294	170	C304	170	C314	167	C324	170	C334	241	C344	170
C285	167	C295	167	C305	179	C315	170	C325	167	C335	168	C345	168
C286	171	C296	170	C306	170	C316	171	C326	170	C336	178	C346	156
C287	171	C297	178	C307	171	C317	167	C327	167	C337	170	C347	178
C288	170	C298	171	C308	167	C318	179	C328	170	C338	156	C348	158
C289	167	C299	171	C309	170	C319	170	C329	174	C339	158	C349	158
C290	167	C300	167	C310	171	C320	167	C330	162	C340	178	C350	178

CAPACITOR

SYMBOL NO.	INDEX NO.	SYMBOL NO.	INDEX NO.	SYMBOL NO.	INDEX NO.	SYMBOL NO.	INDEX NO.	SYMBOL NO.	INDEX NO.	SYMBOL NO.	INDEX NO.	SYMBOL NO.	INDEX NO.
C351	156	C361	178	C371	168	C381	170	C391	180	C401	180	C411	167
C352	168	C362	168	C372	168	C382	160	C392	167	C402	167	C412	167
C353	170	C363	168	C373	168	C383	171	C393	180	C403	167	C413	167
C354	178	C364	168	C374	162	C384	160	C394	180	C404	167	C414	167
C355	168	C365	168	C375	164	C385	160	C395	167	C405	162	C415	167
C356	168	C366	168	C376	162	C386	160	C396	167	C406	162	C416	167
C357	178	C367	168	C377	162	C387	160	C397	180	C407	162	C417	167
C358	158	C368	168	C378	162	C388	160	C398	164	C408	162	C418	167
C359	156	C369	168	C379	162	C389	167	C399	171	C409	167	C419	167
C360	170	C370	168	C380	160	C390	167	C400	180	C410	167	C420	167

51.BICU Board (D009/D011/D012/D013/D091/D092)

CAPACITOR

SYMBOL NO.	INDEX NO.
C421	167
C422	167
C423	167
C424	167
C425	167
C426	170
C427	170
C428	170
C429	170
C430	170

SYMBOL NO.	INDEX NO.
C431	170
C432	170
C433	170
C434	170
C435	170
C436	170
C437	170
C438	170
C439	170
C440	170

SYMBOL NO.	INDEX NO.
C441	170
C442	170
---	---
---	---
C445	170

SYMBOL NO.	INDEX NO.
---	---
---	---
---	---
---	---
---	---
C999	244

CA

SYMBOL NO.	INDEX NO.
CA1	185
CA2	185
CA3	185
CA4	185
CA5	185

CONNECTOR

SYMBOL NO.	INDEX NO.
CN101	112
CN102	102
CN103	105
CN104	108
CN105	101
CN106	106
CN107	104
CN108	113
---	---
---	---

SYMBOL NO.	INDEX NO.
CN111	107
---	---
CN113	103
CN114	111
CN115	109
---	---
CN117	110

DIODE

SYMBOL NO.	INDEX NO.
---	---
D2	120
D3	120
D4	120
D5	120

FIL

SYMBOL NO.	INDEX NO.
FIL1	186
FIL2	186
FIL3	186
FIL4	186
FIL5	186
FIL6	186
FIL7	186
FIL8	188
FIL9	186
FIL10	191

SYMBOL NO.	INDEX NO.
FIL11	187
FIL12	186
FIL13	186
FIL14	186
FIL15	186
FIL16	186
FIL17	186
FIL18	186
FIL19	186
FIL20	191

SYMBOL NO.	INDEX NO.
FIL21	188

IC

SYMBOL NO.	INDEX NO.
---	---
---	---
---	---
IC4	131
IC5	126
IC6	131
IC7	126
IC8	135
IC9	135
IC10	131

SYMBOL NO.	INDEX NO.
IC11	133
IC12	134
IC13	142
---	---
IC15	132
IC16	141
IC17	138
IC18	136
IC19	146
IC20	138

SYMBOL NO.	INDEX NO.
IC21	144
IC22	143
IC23	129
IC24	128
IC25	129
IC26	129
IC27	129
IC28	242
---	---
IC30	243

51.BICU Board (D009/D011/D012/D013/D091/D092)

IC

SYMBOL NO.	INDEX NO.
---	---
IC32	147
IC33	137
---	---
IC35	140
IC36	123
IC37	126
IC38	124
IC39	140
IC40	143

SYMBOL NO.	INDEX NO.
IC41	140
---	---
---	---
---	---
---	---
IC46	138
IC47	125
IC48	148
IC49	128
IC50	128

SYMBOL NO.	INDEX NO.
IC51	148
IC52	129
IC53	139
IC54	140
IC55	127
IC56	130
IC57	130
IC58	123
---	---
---	---

SYMBOL NO.	INDEX NO.
IC61	123

ICS

SYMBOL NO.	INDEX NO.
ICS1	114

L

SYMBOL NO.	INDEX NO.
L1	192
---	---
---	---
L4	189
L5	193
L6	190
L7	194

LED

SYMBOL NO.	INDEX NO.
LED1	122
LED2	121

OSC

SYMBOL NO.	INDEX NO.
OSC1	151
OSC2	150

Q

SYMBOL NO.	INDEX NO.
Q1	118
Q2	116
Q3	116
Q4	116
Q5	115
Q6	116
Q7	116
Q8	119
Q9	119
Q10	119

SYMBOL NO.	INDEX NO.
Q11	119
Q12	117
Q13	117
Q14	117
Q15	117
Q16	117
Q17	117
Q18	116

RESISTOR

SYMBOL NO.	INDEX NO.
R1	234
R2	215
R3	214
R4	215
R5	214
R6	215
R7	215
R8	215
R9	230
R10	215

SYMBOL NO.	INDEX NO.
R11	220
R12	214
R13	214
R14	220
R15	214
R16	220
R17	213
R18	220
R19	214
R20	214

SYMBOL NO.	INDEX NO.
R21	220
R22	220
R23	214
R24	213
R25	215
R26	213
R27	215
R28	220
R29	214
R30	213

SYMBOL NO.	INDEX NO.
R31	213
R32	213
R33	213
R34	213
R35	213
R36	213
R37	213
R38	213
R39	215
R40	220

51.BICU Board (D009/D011/D012/D013/D091/D092)

RESISTOR

SYMBOL NO.	INDEX NO.	SYMBOL NO.	INDEX NO.	SYMBOL NO.	INDEX NO.	SYMBOL NO.	INDEX NO.	SYMBOL NO.	INDEX NO.	SYMBOL NO.	INDEX NO.	SYMBOL NO.	INDEX NO.
R41	230	R51	230	R61	210	R71	232	R81	226	R91	230	R101	213
R42	214	R52	215	R62	213	R72	232	---	---	R92	217	R102	230
R43	229	R53	230	R63	213	R73	232	R83	215	R93	214	R103	230
R44	230	R54	230	R64	213	R74	232	R84	215	R94	214	R104	215
R45	230	R55	222	R65	210	R75	215	R85	230	R95	230	R105	215
R46	230	R56	214	R66	214	---	---	R86	215	R96	230	R106	215
R47	219	R57	214	R67	215	---	---	R87	215	R97	230	R107	215
R48	219	R58	215	R68	215	---	---	R88	215	R98	230	R108	215
R49	226	R59	210	R69	215	R79	215	R89	215	R99	214	R109	215
R50	216	R60	213	R70	218	---	---	R90	215	R100	215	R110	215

RESISTOR

SYMBOL NO.	INDEX NO.	SYMBOL NO.	INDEX NO.	SYMBOL NO.	INDEX NO.	SYMBOL NO.	INDEX NO.	SYMBOL NO.	INDEX NO.	SYMBOL NO.	INDEX NO.	SYMBOL NO.	INDEX NO.
R111	215	---	---	---	---	R141	210	R151	230	R161	210	R171	213
R112	215	---	---	---	---	R142	210	R152	230	R162	210	R172	220
R113	234	R123	214	---	---	R143	230	R153	222	R163	215	R173	220
R114	215	R124	214	---	---	R144	222	R154	215	R164	215	R174	213
R115	215	R125	215	---	---	R145	215	R155	215	R165	230	R175	215
---	---	R126	230	R136	230	R146	230	R156	229	R166	230	R176	215
---	---	---	---	R137	222	R147	215	R157	227	R167	230	R177	215
R118	234	---	---	R138	222	R148	211	R158	215	R168	230	R178	209
---	---	---	---	R139	222	R149	210	R159	210	R169	230	R179	210
R120	236	R130	210	---	---	R150	215	R160	210	R170	213	R180	230

51.BICU Board (D009/D011/D012/D013/D091/D092)

RESISTOR

SYMBOL NO.	INDEX NO.	SYMBOL NO.	INDEX NO.	SYMBOL NO.	INDEX NO.	SYMBOL NO.	INDEX NO.	SYMBOL NO.	INDEX NO.	SYMBOL NO.	INDEX NO.	SYMBOL NO.	INDEX NO.
---	---	R191	210	R201	210	R211	230	R221	210	R231	221	R241	230
R182	222	---	---	---	---	---	---	R222	215	R232	223	R242	230
---	---	R193	210	R203	210	R213	215	---	---	R233	223	R243	228
R184	210	R194	215	R204	209	---	---	R224	215	R234	214	R244	228
R185	212	R195	210	R205	209	R215	210	R225	224	R235	215	R245	207
R186	210	R196	210	---	---	R216	222	R226	220	R236	215	R246	206
R187	210	R197	222	---	---	R217	210	R227	230	R237	214	R247	212
R188	210	---	---	---	---	R218	230	R228	222	R238	213	R248	215
R189	210	R199	210	R209	215	R219	224	R229	216	R239	214	R249	215
R190	210	R200	230	R210	230	R220	220	R230	224	R240	214	R250	152

RESISTOR

SYMBOL NO.	INDEX NO.	SYMBOL NO.	INDEX NO.	SYMBOL NO.	INDEX NO.	SYMBOL NO.	INDEX NO.	SYMBOL NO.	INDEX NO.	SYMBOL NO.	INDEX NO.	SYMBOL NO.	INDEX NO.
R251	208	R261	234	R271	234	R281	215	---	---	R301	210	R311	210
R252	212	R262	234	R272	235	R282	215	R292	219	R302	214	R312	215
R253	215	R263	235	R273	235	R283	215	---	---	R303	214	R313	215
R254	214	R264	235	R274	238	R284	215	---	---	R304	210	R314	215
R255	230	R265	238	R275	237	R285	215	R295	215	R305	209	R315	215
R256	215	R266	237	R276	215	R286	215	R296	230	R306	210	---	---
R257	214	R267	215	R277	225	R287	215	R297	210	R307	209	R317	215
R258	230	R268	225	R278	215	R288	230	R298	210	R308	210	R318	215
R259	222	R269	231	R279	226	R289	230	R299	210	R309	230	R319	215
R260	215	R270	234	R280	215	---	---	R300	210	R310	215	R320	215

51.BICU Board (D009/D011/D012/D013/D091/D092)

RESISTOR

SYMBOL NO.	INDEX NO.	SYMBOL NO.	INDEX NO.	SYMBOL NO.	INDEX NO.	SYMBOL NO.	INDEX NO.	SYMBOL NO.	INDEX NO.	SYMBOL NO.	INDEX NO.	SYMBOL NO.	INDEX NO.
R321	210	R331	222	---	---	R351	233	R361	233	R371	240	R381	230
R322	210	R332	230	---	---	R352	233	R362	233	---	---	R382	230
---	---	R333	215	---	---	R353	233	R363	233	R373	234	R383	230
---	---	R334	210	---	---	R354	233	R364	233	---	---	R384	230
R325	210	R335	210	---	---	R355	230	R365	233	R375	234		
---	---			R346	230	R356	233	R366	233	R376	215		
R327	215	R336	215	---	---	R357	233	R367	214	---	---		
R328	215	R337	230	R348	230	R358	230	R368	215	R378	210		
R329	222	R338	230	R349	215	R359	233	R369	214	R379	230		
R330	222	---	---	R350	231	R360	233	R370	239	R380	215		
		---	---										

RESISTOR

SYMBOL NO.	INDEX NO.
---	---
---	---
---	---
---	---
---	---
---	---
---	---
R998	245
R999	246

REG

SYMBOL NO.	INDEX NO.
REG1	145
REG2	149

RN

SYMBOL NO.	INDEX NO.	SYMBOL NO.	INDEX NO.	SYMBOL NO.	INDEX NO.	SYMBOL NO.	INDEX NO.	SYMBOL NO.	INDEX NO.	SYMBOL NO.	INDEX NO.
RN1	201	---	---	RN21	201	RN31	202	---	---	---	---
---	---	RN12	204	RN22	203	RN32	197	---	---	---	---
RN3	201	RN13	197	RN23	204	RN33	197	RN43	196	RN43	196
RN4	201	RN14	204	RN24	197	RN34	197	RN44	196	RN44	196
---	---	RN15	197	---	---	---	---	RN45	201	RN45	201
RN6	198			RN26	201	---	---	RN46	198	RN46	198
RN7	198	RN16	197	---	---	---	---	RN47	198	RN47	198
RN8	198	---	---	---	---	RN38	197	RN48	198	RN48	198
RN9	197	---	---	---	---	RN39	196	RN49	198	RN49	198
RN10	197	RN20	201	RN30	201	RN40	201	RN50	197	RN50	197

51.BICU Board (D009/D011/D012/D013/D091/D092)

RN

SYMBOL NO.	INDEX NO.	SYMBOL NO.	INDEX NO.	SYMBOL NO.	INDEX NO.	SYMBOL NO.	INDEX NO.	SYMBOL NO.	INDEX NO.	SYMBOL NO.	INDEX NO.	SYMBOL NO.	INDEX NO.
RN51	201	RN61	196	---	---	RN81	200	RN91	196	RN101	197	RN111	195
RN52	197	RN62	196	---	---	RN82	200	---	---	RN102	196	RN112	203
RN53	201	RN63	196	---	---	RN83	200	---	---	RN103	196	RN113	195
RN54	197	RN64	196	---	---	RN84	200	---	---	RN104	204	RN114	195
RN55	197	RN65	199	---	---	RN85	200	---	---	RN105	196	RN115	197
RN56	197	RN66	199	---	---	RN86	197	RN96	204	RN106	201	RN116	205
RN57	197	RN67	199	---	---	RN87	197	RN97	197	RN107	197	RN117	197
RN58	201	RN68	199	RN78	200	RN88	197	RN98	204	RN108	195	RN118	197
RN59	197	RN69	199	RN79	200	RN89	197	RN99	196	RN109	195	RN119	204
RN60	197	---	---	RN80	200	RN90	196	RN100	197	RN110	203	---	---

RN

SYMBOL NO.	INDEX NO.
RN121	203
RN122	197
RN123	197

51.BICU Board (D009/D011/D012/D013/D091/D092)

Rev. 01/19/2011

Index No.	Part No.	Description	Q'ty Per Assembly
*	D011 5166	PCB: BICU: FCS: 50 CPM (D013) [TSB#045]	1
*	D011 5167	PCB: BICU: FCS: 40 CPM (D011) [TSB#045]	1
*	D091 5156	PCB: BICU: FCS: 50 CPM (D092)	1
*	D091 5157	PCB: BICU: FCS: 40 CPM (D091)	1

Index No.	Part No.	Description	Q'ty Per Assembly
101	1102 4203	CT Header - 4P	
102	1102 4204	CT Header - 5P	
103	1102 4645	CT Connector - 4P	
104	1102 6893	Connector: 53314-3065 (Color Only)	
105	1102 7358	Connector - 80P	
106	1102 8489	Connector - 55451-3010	
107	1102 8560	Connector - KX14-60K5D1E	
108	1102 9116	Connector - 353297-5	
109	1103 3158	Connector - FH12-10S-0.5SV(89)	
110	1103 3167	Connector: FH12-28S-0.5SH(89)	
111	1103 3175	Connector - FH12-40S-0.5SV(89)	
112	1103 3188	Connector: FH12S-50S-0.5SH(89)	
113	1103 3736	Connector: FH12S-45S-0.5SH(89)	
114	1104 0821	IC Socket: 16008-B0A0020N	
115	1400 1240	Transistor: SRC1202UF	
116	1400 1241	Transistor: SRC1206UF	
117	1400 1243	Transistor: SRC1210UF	
118	1400 1244	Transistor: SRA2206UF	
119	1401 1414	FET: Si3433BDV-E3	
120	1402 1798	Diode - RSX30	
121	1403 0978	LED - SML-310DT	
122	1403 0996	LED - SML-310VT	
123	1407 4840	IC - TC7SH04FU	
124	1407 5346	IC - SN74LS74ANS	
125	1407 5347	IC - SN74LV08APW	
126	1407 5351	IC - SN74LV14APW	
127	1407 5353	IC - SN74LV244APW	
128	1407 5392	IC: SN74LV541APW	
129	1407 5463	IC - SN74LV245APW	
130	1407 5633	IC - SN74LV574APW	
131	1407 5713	IC: SN74LV06APW	
132	1407 6166	IC - ESOC	
133	1407 6232	LVDS: THC63LVD104A (Color Only)	
134	1407 6430	IC - GAVD Type-R	
135	1407 6466	Field Memory: 3M: x12: 3.3V (Color Only)	

Index No.	Part No.	Description	Q'ty Per Assembly
136	1407 6613	Clock Generator: ICS7152M-01LF	
137	1407 6641	Custom IC: LEO	
138	1407 6787	CMOS Logic: TC7SH125FU	
139	1407 6801	CMOS Logic: TC7PA17FU	
140	1407 6803	CMOS Logic: TC7SZ07FU	
141	1407 7190	Controller: RB5V871A	
142	1408 1779	IC - R3112Q281A	
143	1408 1826	IC - R3112Q421A	
144	1408 1829	Op Amp - LM358PW	
145	1408 1850	Regulator - R1170H181B	
146	1408 1907	IC: R3112Q451A-FA	
147	1408 2024	IC: R3112Q261A-FA	
148	1408 2088	IC: LTC3701EGN#TRPBF	
149	1408 2524	Series Regulator: R1171S181B-F	
150	1503 1110	Crystal Oscillator: 28.7MHz	
151	1503 1215	Crystal Oscillator - 17.5MHz	
152	1600 1880	Resistor - 25M Ω \pm 1% 1W	
153	1604 4728	Capacitor - 100 μ F \pm 20% 16V	
154	1604 4968	Capacitor: 330 μ F: \pm 20%: 6.3V	
155	1604 5186	Capacitor: 220 μ F: \pm 20%: 10V	
156	1605 1124	Capacitor - 4.7 μ F+80 -20% 10V	
157	1605 1148	Capacitor - 0.1 μ F+80-20% 50V	
158	1605 1176	Ceramic Capacitor 0.47 μ F+80-20%16V	
159	1605 1201	Capacitor - 12pF \pm 5% 50V	
160	1605 1202	Capacitor - 15pF \pm 5% 50V	
161	1605 1205	Capacitor - 33pF \pm 5% 50V	
162	1605 1206	Capacitor - 47pF \pm 5% 50V	
163	1605 1207	Capacitor - 68pF \pm 5% 50V	
164	1605 1208	Capacitor: 100pF: \pm 5%: 50V	
165	1605 1210	Capacitor: 180pF: \pm 5%: 50V	
166	1605 1211	Capacitor - 220pF \pm 10% 50V	
167	1605 1212	Capacitor - 470pF \pm 10% 50V	
168	1605 1214	Capacitor - 1000pF \pm 10% 50V	
169	1605 1216	Capacitor - 2200pF \pm 10% 50V	
170	1605 1221	Capacitor - 0.1 μ F+80-20%16V	

Index No.	Part No.	Description	Q'ty Per Assembly
171	1605 1240	Capacitor - 0.01 μ F \pm 10% 25V	
172	1605 1282	Capacitor: 22 μ F: +80-20%: 10V	
173	1605 1285	Capacitor - 3300pF \pm 10% 50V	
174	1605 1289	Capacitor - 0.1 μ F \pm 10% 10V	
175	1605 1295	Capacitor: 10 μ F: +80-20%: 10V	
176	1605 1296	Capacitor - 330pF \pm 10% 50V	
177	1605 1299	Resistor - 56pF \pm 5% 50V	
178	1605 1303	Capacitor - 0.01 μ F+80-20% 50V	
179	1605 1305	Capacitor - 1 μ F+80-20% 6.3V	
180	1605 1347	Capacitor - 1 μ F: +80-20%: 16V	
181	1605 1387	Capacitor - 0.68 μ F \pm 10% 10V	
182	1605 1391	Capacitor - 22 μ F: \pm 20%: 6.3V	
183	1605 1474	Capacitor - 47 μ F \pm 20% 6.3V	
184	1605 1544	Resistor - 330pF \pm 5% 50V	
185	1605 1692	Capacitor: 47pF: \pm 10%: 50V	
186	1607 0861	Filter - BK2125HS101	
187	1607 1002	IC - NFM60R30T222	
188	1607 1108	Filter - BLM21PG220SN1B	
189	1607 1222	Inductor - 3.3UH \pm 20% 2.5A	
190	1607 1340	Inductor: SLF7045-220MR90-PF	
191	1607 1351	Filter BLM21PG221SN1B	
192	1607 1546	Inductor - SLF6028-220MR77-PF	
193	1607 1680	Inductor: SLF6028-6R8M1R5-PF	
194	1607 1827	Inductor: RLF7030-2R2M5R4	
195	1609 0005	Resistor: 33 Ω : \pm 5%: 1/16W	
196	1609 0006	Resistor: 10K Ω : \pm 5%: 1/16W	
197	1609 0007	Resistor - 68 Ω \pm 5% 1/16W	
198	1609 0019	Resistor: 0 Ω : 1608	
199	1609 0027	Resistor - 100K Ω \pm 5% 1/16W	
200	1609 0061	Resistor Array: 4.7K Ω : \pm 5%: 1/16W: 4Number	
201	1609 0062	Resistor Array: 10K Ω : \pm 5%: 1/16W: 4Number	
202	1609 0063	Resistor Array: 100 Ω : \pm 5%: 1/16W: 4Number	
203	1609 0064	Resistor Array: 33 Ω : \pm 5%: 1/16W: 4Number	
204	1609 0065	Resistor Array: 68 Ω : \pm 5%: 1/16W: 4Number	
205	1609 0067	Resistor Array: 100K Ω : \pm 5%: 1/16W: 4Number	

Index No.	Part No.	Description	Q'ty Per Assembly
206	1610 1420	Resistor - 0.075Ω ±1% 0.5W	
207	1610 1735	Resistor: 0.05 Ω: ±1%: 1W	
208	1610 1877	Resistor: 0.24 Ω: ±1%: 2W	
209	1633 0000	Resistor - 0 Ω 1/10W	
210	1634 0000	Resistor - 0 Ω 1/16W	
211	1650 4681	Resistor - 680Ω ±5% 1/10W	
212	1650 5100	Chip Resistor - 10 Ω±5%1/16W	
213	1650 5101	Chip Resistor - 100 Ω±5%1/16W	
214	1650 5102	Chip Resistor - 1KΩ±5%1/16W	
215	1650 5103	Chip Resistor - 10KΩ±5%1/16W	
216	1650 5104	Chip Resistor - 100KΩ±5%1/16W	
217	1650 5105	Chip Resistor - 1MΩ±5%1/16W	
218	1650 5122	Chip Resistor - 1.2KΩ±5%1/16W	
219	1650 5220	Resistor - 22Ω ±5% 1/16W	
220	1650 5222	Resistor - 2.2KΩ ±5% 1/16W	
221	1650 5244	Resistor: 240K Ω: ±5%: 1/16W: 1005	
222	1650 5330	Chip Resistor - 33Ω±5%1/16W	
223	1650 5331	Resistor - 330Ω ±5% 1/16W	
224	1650 5332	Resistor - 3.3KΩ ±5% 1/16W	
225	1650 5333	Resistor: 33K Ω: ±5%: 1/16W: 1005	
226	1650 5472	Chip Resistor: 4.7KΩ: ±5%: 1/16W	
227	1650 5511	Resistor - 510Ω ±5% 1/16W	
228	1650 5513	Chip Resistor: 51KΩ: ±5%: 1/1W	
229	1650 5561	Chip Resistor 560Ω ±5% 1/16W	
230	1650 5680	Resistor - 68Ω ±5% 1/16W	
231	1650 5682	Chip Resistor: 6.8KΩ: ±5%: 1/16W: 1005	
232	1654 4709	Resistor - 47Ω±1% 1/10W	
233	1654 5109	Resistor: 51Ω: ±1%: 1/10W	
234	1655 0000	Chip Resistor - 0Ω±0%1/16W	
235	1655 1202	Resistor: 12K Ω: ±1%: 1/16W: 1005	
236	1655 2400	Resistor: 240 Ω: ±1%: 1/16W: 1005	
237	1655 2402	Resistor - 24KΩ ±1% 1/16W	
238	1655 3742	Resistor: 37.4K Ω: ±1%: 1/16W: 1005	
239	1655 4701	Chip Resistor - 4.7KΩ±1%1/16W	
240	1655 5600	Resistor - 560Ω ±1% 1/16W	

Index No.	Part No.	Description	Q'ty Per Assembly
241	1660 4332	Capacitor - 3300pF - ±10% - 50V	
242	1902 0084	SRAM: 4M: x16: TSOP44Type2: 3.3V	
243	1906 0101	Flash Memory: S29GL032A90TFIR40	
244	1605 1221	Capacitor - 0.1 μF+80-20%16V	
245	1650 4472	Resistor - 4.7KΩ ±5% 1/10W	
246	1623 1003	Resistor: 100K Ω: ±1%: 1/4W	

52.BICU Board MS (D009/D011/D012/D013/D091/D092)

CAPACITOR

SYMBOL NO.	INDEX NO.	SYMBOL NO.	INDEX NO.	SYMBOL NO.	INDEX NO.	SYMBOL NO.	INDEX NO.	SYMBOL NO.	INDEX NO.	SYMBOL NO.	INDEX NO.	SYMBOL NO.	INDEX NO.
C1	169	C11	170	---	---	---	---	---	---	C51	178	C61	172
C2	169	C12	177	C22	177	---	---	---	---	---	---	C62	170
---	---	C13	166	C23	177	---	---	C43	172	C53	183	C63	172
---	---	C14	170	C24	172	---	---	---	---	C54	176	C64	178
C5	177	C15	170	---	---	---	---	---	---	C55	169	C65	169
C6	170	C16	177	---	---	---	---	---	---	C56	178	C66	183
C7	170	C17	187	---	---	---	---	---	---	C57	178	C67	169
C8	170	C18	172	---	---	---	---	---	---	C58	172	C68	166
C9	170	C19	176	---	---	---	---	---	---	C59	178	C69	180
C10	177	C20	184	---	---	C39	170	---	---	C60	172	C70	180
				---	---	---	---	C50	178				

CAPACITOR

SYMBOL NO.	INDEX NO.	SYMBOL NO.	INDEX NO.	SYMBOL NO.	INDEX NO.	SYMBOL NO.	INDEX NO.	SYMBOL NO.	INDEX NO.	SYMBOL NO.	INDEX NO.	SYMBOL NO.	INDEX NO.
C71	180	C81	172	C91	162	C101	175	C111	172	C121	172	C131	172
C72	180	C82	169	C92	177	C102	189	C112	178	C122	167	C132	172
---	---	C83	169	C93	169	C103	172	C113	172	---	---	C133	172
C74	174	C84	169	C94	174	C104	181	---	---	C124	172	C134	172
---	---	C85	169	C95	169	C105	172	C115	162	C125	177	C135	172
C76	177	C86	169	C96	169	C106	171	C116	162	C126	158	C136	169
C77	166	C87	177	C97	172	---	---	---	---	C127	158	C137	172
C78	166	C88	169	C98	172	---	---	C118	163	---	---	---	---
---	---	C89	164	C99	156	---	---	C119	172	---	---	C139	177
C80	177	C90	161	C100	186	---	---	C120	157	C130	174	C140	169

52.BICU Board MS (D009/D011/D012/D013/D091/D092)

CAPACITOR

SYMBOL NO.	INDEX NO.	SYMBOL NO.	INDEX NO.	SYMBOL NO.	INDEX NO.	SYMBOL NO.	INDEX NO.	SYMBOL NO.	INDEX NO.	SYMBOL NO.	INDEX NO.	SYMBOL NO.	INDEX NO.
C141	172	C151	169	C161	181	C171	169	C181	172	C191	172	C201	178
C142	164	C152	172	C162	172	C172	172	C182	172	---	---	---	---
C143	164	C153	172	C163	172	C173	177	C183	172	---	---	---	---
C144	177	C154	181	C164	166	C174	155	C184	172	C194	172	C204	177
C145	165	C155	181	C165	169	C175	172	C185	155	C195	179	C205	168
C146	177	---	---	C166	172	C176	169	---	---	C196	168	C206	168
---	---	C157	158	C167	181	C177	172	---	---	C197	170	C207	170
---	---	C158	181	---	---	C178	169	---	---	C198	170	C208	170
---	---	C159	172	C169	172	C179	171	C189	169	C199	177	C209	164
C150	169	C160	158	C170	177	C180	159	C190	169	C200	185	C210	185

CAPACITOR

SYMBOL NO.	INDEX NO.	SYMBOL NO.	INDEX NO.	SYMBOL NO.	INDEX NO.	SYMBOL NO.	INDEX NO.	SYMBOL NO.	INDEX NO.	SYMBOL NO.	INDEX NO.	SYMBOL NO.	INDEX NO.
C211	178	C221	175	C231	166	C241	172	C251	172	C261	169	C271	182
C212	164	C222	166	C232	177	C242	169	C252	169	C262	174	C272	182
C213	172	C223	166	C233	169	C243	172	C253	174	C263	172	C273	172
C214	169	C224	175	C234	169	C244	158	C254	172	C264	169	C274	169
C215	169	C225	175	C235	172	C245	172	C255	169	C265	181	C275	172
C216	172	C226	175	C236	169	C246	181	C256	174	C266	172	C276	174
C217	175	C227	175	C237	172	C247	172	C257	172	C267	169	C277	174
C218	175	C228	175	C238	169	C248	158	C258	169	C268	181	C278	181
C219	175	C229	188	C239	172	C249	172	C259	174	C269	172	C279	172
C220	175	C230	166	C240	169	C250	181	C260	172	C270	169	C280	158

52.BICU Board MS (D009/D011/D012/D013/D091/D092)

CAPACITOR

SYMBOL NO.	INDEX NO.	SYMBOL NO.	INDEX NO.	SYMBOL NO.	INDEX NO.	SYMBOL NO.	INDEX NO.	SYMBOL NO.	INDEX NO.	SYMBOL NO.	INDEX NO.	SYMBOL NO.	INDEX NO.
C281	169	C291	172	C301	169	C311	169	C321	169	C331	172	C341	170
C282	172	C292	172	C302	172	C312	172	C322	172	C332	177	C342	170
C283	169	C293	169	C303	169	C313	174	C323	169	C333	172	C343	181
C284	172	C294	172	C304	172	C314	169	C324	172	C334	249	C344	172
C285	169	C295	169	C305	182	C315	172	C325	169	C335	170	C345	170
C286	174	C296	172	C306	172	C316	174	C326	172	C336	181	C346	158
C287	174	C297	181	C307	174	C317	169	C327	169	C337	172	C347	181
C288	172	C298	174	C308	169	C318	182	C328	172	C338	158	C348	160
C289	169	C299	174	C309	172	C319	172	C329	177	C339	160	C349	160
C290	169	C300	169	C310	174	C320	169	C330	164	C340	181	C350	181

CAPACITOR

SYMBOL NO.	INDEX NO.	SYMBOL NO.	INDEX NO.	SYMBOL NO.	INDEX NO.	SYMBOL NO.	INDEX NO.	SYMBOL NO.	INDEX NO.	SYMBOL NO.	INDEX NO.	SYMBOL NO.	INDEX NO.
C351	158	C361	181	C371	170	C381	174	C391	183	C401	183	C411	169
C352	170	C362	170	C372	170	---	---	C392	169	C402	169	C412	169
C353	172	C363	170	C373	170	C383	172	C393	183	C403	169	C413	169
C354	181	C364	170	C374	172	---	---	C394	183	C404	169	C414	169
C355	170	C365	170	C375	166	---	---	C395	169	C405	164	C415	169
C356	170	C366	170	C376	174	C386	174	C396	169	C406	164	C416	169
C357	181	C367	170	C377	173	C387	248	C397	183	C407	164	C417	169
C358	160	C368	170	---	---	C388	172	C398	166	C408	164	C418	169
C359	158	C369	170	C379	172	C389	169	C399	174	C409	169	C419	169
C360	172	C370	170	---	---	C390	169	C400	183	C410	169	C420	169

52.BICU Board MS (D009/D011/D012/D013/D091/D092)

CAPACITOR

SYMBOL NO.	INDEX NO.
C421	169
C422	169
C423	169
C424	169
C425	169
C426	172
C427	172
C428	172
C429	172
C430	172

SYMBOL NO.	INDEX NO.
C431	172
C432	172
C433	172
C434	172
C435	172
C436	172
C437	172
C438	172
C439	172
C440	172

SYMBOL NO.	INDEX NO.
C441	172
C442	172
C443	174
C444	172
C445	169
C446	172
C447	169
C448	172
C449	169
C450	172

SYMBOL NO.	INDEX NO.
C451	169
C452	172
C453	169
C454	172
C455	169

CA

SYMBOL NO.	INDEX NO.
CA1	190
CA2	190
CA3	190
CA4	190
CA5	190

CONNECTOR

SYMBOL NO.	INDEX NO.
CN101	112
CN102	102
CN103	104
CN104	108
CN105	101
CN106	106
CN107	105
CN108	113
---	---
---	---

SYMBOL NO.	INDEX NO.
CN111	107
---	---
CN113	103
CN114	111
CN115	109
---	---
CN117	110

DIODE

SYMBOL NO.	INDEX NO.
---	---
D2	120
D3	120
D4	120
D5	120

FIL

SYMBOL NO.	INDEX NO.
FIL1	196
FIL2	193
---	---
---	---
---	---
---	---
FIL8	193
FIL9	191
FIL10	196

SYMBOL NO.	INDEX NO.
FIL11	192
FIL12	191
FIL13	191
FIL14	191
FIL15	191
FIL16	191
FIL17	191
FIL18	191
FIL19	191

IC

SYMBOL NO.	INDEX NO.
---	---
IC2	139
---	---
IC4	133
IC5	127
IC6	133
IC7	127
IC8	142
IC9	132
IC10	132

SYMBOL NO.	INDEX NO.
IC11	124
IC12	136
IC13	144
---	---
IC15	135
IC16	143
IC17	139
IC18	137
IC19	148
IC20	139

SYMBOL NO.	INDEX NO.
IC21	146
IC22	145
IC23	129
IC24	134
IC25	129
IC26	129
IC27	129
IC28	250
---	---
IC30	251

SYMBOL NO.	INDEX NO.
---	---
IC32	149
IC33	138
---	---
IC35	141
IC36	124
IC37	127
IC38	125
IC39	141
IC40	145

52.BICU Board MS (D009/D011/D012/D013/D091/D092)

IC

SYMBOL NO.	INDEX NO.
IC41	141
---	---
---	---
---	---
---	---
IC46	124
IC47	126
IC48	150
IC49	130
IC50	130

ICS

SYMBOL NO.	INDEX NO.
IC51	150
IC52	131
IC53	140
IC54	141
IC55	128
IC56	123

SYMBOL NO.	INDEX NO.
ICS1	114

L

SYMBOL NO.	INDEX NO.
L1	197
---	---
---	---
L4	194
L5	198
L6	195
L7	199

LED

SYMBOL NO.	INDEX NO.
LED1	122
LED2	121

OSC

SYMBOL NO.	INDEX NO.
OSC1	153
OSC2	152

Q

SYMBOL NO.	INDEX NO.
Q1	118
Q2	116
Q3	116
Q4	116
Q5	115
Q6	116
Q7	116
Q8	119
Q9	119
Q10	119

Q

RESISTOR

SYMBOL NO.	INDEX NO.
Q11	119
Q12	117
Q13	117
Q14	117
Q15	117
Q16	117
Q17	117
Q18	116
Q19	116

SYMBOL NO.	INDEX NO.
R1	239
R2	221
R3	220
R4	221
R5	220
R6	221
R7	221
R8	221
R9	235
R10	221

SYMBOL NO.	INDEX NO.
R11	225
R12	220
R13	220
R14	225
R15	220
R16	225
R17	219
R18	225
R19	220
R20	220

SYMBOL NO.	INDEX NO.
R21	225
R22	225
R23	220
R24	219
R25	221
R26	219
R27	221
R28	225
R29	220
R30	219

SYMBOL NO.	INDEX NO.
R31	219
R32	219
R33	219
R34	219
R35	219
R36	219
R37	219
R38	219
R39	221
R40	225

SYMBOL NO.	INDEX NO.
R41	221
R42	220
R43	234
R44	235
R45	214
R46	214
R47	216
R48	214
R49	221
R50	215

SYMBOL NO.	INDEX NO.
R51	215
R52	235
---	---
R54	221
R55	227
R56	220
R57	220
R58	221
R59	215
R60	219

52.BICU Board MS (D009/D011/D012/D013/D091/D092)

RESISTOR

SYMBOL NO.	INDEX NO.	SYMBOL NO.	INDEX NO.	SYMBOL NO.	INDEX NO.	SYMBOL NO.	INDEX NO.	SYMBOL NO.	INDEX NO.	SYMBOL NO.	INDEX NO.	SYMBOL NO.	INDEX NO.
R61	215	R71	237	R81	231	R91	235	R101	219	R111	221	---	---
R62	219	R72	237	---	---	R92	223	R102	235	R112	221	---	---
R63	219	R73	237	R83	221	R93	220	R103	235	R113	239	R123	220
R64	219	R74	237	R84	221	R94	220	R104	221	R114	221	R124	220
R65	215	R75	221	R85	235	R95	235	R105	221	R115	221	R125	221
R66	220	---	---	R86	221	R96	235	R106	221	---	---	R126	235
R67	221	---	---	R87	221	R97	235	R107	221	---	---	---	---
R68	221	---	---	R88	221	R98	235	R108	221	R118	239	---	---
R69	221	R79	221	R89	221	R99	220	R109	221	---	---	---	---
R70	224	---	---	R90	221	R100	221	R110	221	R120	242	R130	215

RESISTOR

SYMBOL NO.	INDEX NO.	SYMBOL NO.	INDEX NO.	SYMBOL NO.	INDEX NO.	SYMBOL NO.	INDEX NO.	SYMBOL NO.	INDEX NO.	SYMBOL NO.	INDEX NO.	SYMBOL NO.	INDEX NO.
---	---	R141	215	R151	235	R161	215	R171	219	R181	235	R191	215
---	---	R142	215	R152	235	R162	215	R172	225	R182	227	R192	215
---	---	R143	235	R153	227	R163	221	R173	225	---	---	R193	215
---	---	R144	227	R154	221	R164	221	R174	219	R184	215	---	---
---	---	R145	221	R155	221	R165	235	R175	221	R185	218	R195	215
R136	235	R146	235	R156	234	R166	235	R176	221	R186	215	R196	215
R137	227	R147	221	R157	232	R167	235	R177	221	R187	215	R197	227
R138	227	R148	217	R158	221	R168	235	R178	214	R188	215	R198	221
R139	227	R149	215	R159	215	R169	235	R179	215	R189	215	R199	215
---	---	R150	221	R160	215	R170	219	R180	235	R190	215	R200	235

52.BICU Board MS (D009/D011/D012/D013/D091/D092)

RESISTOR

SYMBOL NO.	INDEX NO.	SYMBOL NO.	INDEX NO.	SYMBOL NO.	INDEX NO.	SYMBOL NO.	INDEX NO.	SYMBOL NO.	INDEX NO.	SYMBOL NO.	INDEX NO.	SYMBOL NO.	INDEX NO.
R201	215	R211	235	R221	215	R231	226	R241	235	R251	213	R261	239
---	---	---	---	R222	221	R232	228	R242	235	R252	218	R262	239
R203	215	R213	221	R223	221	R233	228	R243	233	R253	221	R263	240
R204	214	---	---	R224	221	R234	220	R244	233	R254	220	R264	240
R205	214	R215	215	R225	229	R235	221	R245	212	R255	235	R265	244
---	---	R216	227	R226	225	R236	221	R246	211	R256	221	R266	243
---	---	R217	215	R227	235	R237	220	R247	218	R257	220	R267	221
---	---	R218	235	R228	227	R238	219	R248	221	R258	235	R268	230
R209	221	R219	229	R229	222	R239	220	R249	221	R259	227	R269	236
R210	235	R220	225	R230	229	R240	220	R250	154	R260	221	R270	239

RESISTOR

SYMBOL NO.	INDEX NO.	SYMBOL NO.	INDEX NO.	SYMBOL NO.	INDEX NO.	SYMBOL NO.	INDEX NO.	SYMBOL NO.	INDEX NO.	SYMBOL NO.	INDEX NO.	SYMBOL NO.	INDEX NO.
R271	239	R281	221	---	---	R301	215	R311	215	---	---	R331	227
R272	240	R282	221	---	---	R302	220	R312	221	R322	215	R332	235
R273	240	R283	221	---	---	R303	220	R313	221	---	---	R333	221
R274	244	R284	221	---	---	R304	215	R314	221	---	---	R334	215
R275	243	R285	221	R295	221	R305	214	R315	221	R325	215	R335	215
R276	221	R286	221	---	---	R306	215	---	---	---	---	R336	221
R277	230	R287	221	R297	215	R307	214	R317	221	R327	221	---	---
R278	221	R288	235	R298	215	R308	215	R318	221	R328	221	---	---
R279	231	R289	235	R299	215	R309	235	R319	221	R329	227	---	---
R280	221	---	---	R300	215	R310	221	R320	221	R330	227	---	---

52.BICU Board MS (D009/D011/D012/D013/D091/D092)

RESISTOR

SYMBOL NO.	INDEX NO.	SYMBOL NO.	INDEX NO.	SYMBOL NO.	INDEX NO.	SYMBOL NO.	INDEX NO.	SYMBOL NO.	INDEX NO.	SYMBOL NO.	INDEX NO.	SYMBOL NO.	INDEX NO.
---	---	R351	238	R361	235	R371	246	R381	215	R391	221	R401	241
---	---	R352	238	R362	221	---	---	R382	215	R392	215	---	---
---	---	R353	238	---	---	R373	239	R383	215	---	---	R403	235
---	---	R354	238	---	---	---	---	R384	215	---	---	R404	235
---	---	---	---	---	---	R375	239	R385	215	---	---	R405	241
---	---	R356	238	---	---	---	---	R386	215	R396	220	R406	247
---	---	R357	238	R367	220	---	---	R387	215	R397	220	R407	215
---	---	---	---	R368	221	---	---	R388	215	---	---	---	---
R349	221	R359	238	R369	220	---	---	R389	215	---	---	---	---
R350	236	R360	238	R370	245	---	---	R390	215	R400	243	---	---

REG

SYMBOL NO.	INDEX NO.
REG1	147
REG2	151

RN

SYMBOL NO.	INDEX NO.	SYMBOL NO.	INDEX NO.	SYMBOL NO.	INDEX NO.	SYMBOL NO.	INDEX NO.	SYMBOL NO.	INDEX NO.	SYMBOL NO.	INDEX NO.	SYMBOL NO.	INDEX NO.
RN1	206	---	---	RN21	206	RN31	207	---	---	RN51	206	---	---
RN2	206	RN12	209	RN22	208	RN32	202	---	---	RN52	202	---	---
RN3	206	---	---	RN23	209	---	---	RN43	201	RN53	206	---	---
---	---	---	---	RN24	202	---	---	RN44	201	RN54	202	---	---
---	---	RN15	202	---	---	---	---	RN45	206	RN55	202	---	---
RN6	203	RN16	202	RN26	206	---	---	RN46	203	RN56	202	---	---
RN7	203	---	---	---	---	---	---	RN47	203	RN57	202	---	---
RN8	203	---	---	---	---	RN38	202	RN48	203	RN58	206	---	---
RN9	202	---	---	---	---	RN39	201	RN49	203	RN59	202	---	---
RN10	202	RN20	206	RN30	206	RN40	206	RN50	202	RN60	202	---	---

52.BICU Board MS (D009/D011/D012/D013/D091/D092)

RN

SYMBOL NO.	INDEX NO.	SYMBOL NO.	INDEX NO.	SYMBOL NO.	INDEX NO.	SYMBOL NO.	INDEX NO.	SYMBOL NO.	INDEX NO.	SYMBOL NO.	INDEX NO.	SYMBOL NO.	INDEX NO.
RN61	201	---	---	RN81	205	RN91	201	RN101	202	RN111	200	RN121	208
RN62	201	---	---	RN82	205	---	---	RN102	201	RN112	208		
RN63	201	---	---	RN83	205	---	---	RN103	201	RN113	200		
RN64	201	---	---	RN84	205	---	---	RN104	209	RN114	200		
RN65	204	---	---	RN85	205	RN95	202	RN105	201	RN115	202		
RN66	204	---	---	RN86	202	RN96	202	RN106	206	RN116	210		
RN67	204	---	---	RN87	202	RN97	202	RN107	202	RN117	202		
RN68	204	RN78	205	RN88	202	RN98	209	RN108	200	RN118	202		
RN69	204	RN79	205	RN89	202	RN99	201	RN109	200	RN119	209		
---	---	RN80	205	RN90	201	RN100	202	RN110	208	---	---		

52.BICU Board MS (D009/D011/D012/D013/D091/D092)

Rev. 09/07/2010

Index No.	Part No.	Description	Q'ty Per Assembly
*	D009 5146	BICU - MS - 50CPM	1
*	D009 5167	PCB: BICU: MS: 40CPM	1

Index No.	Part No.	Description	Q'ty Per Assembly
101	1102 4203	CT Header - 4P	
102	1102 4204	CT Header - 5P	
103	1102 4645	CT Connector - 4P	
104	1102 7358	Connector - 80P	
105	1102 8484	Connector: 55447-2080	
106	1102 8489	Connector - 55451-3010	
107	1102 8560	Connector - KX14-60K5D1E	
108	1102 9116	Connector - 353297-5	
109	1103 3158	Connector - FH12-10S-0.5SV(89)	
110	1103 3167	Connector: FH12-28S-0.5SH(89)	
111	1103 3175	Connector - FH12-40S-0.5SV(89)	
112	1103 3188	Connector: FH12S-50S-0.5SH(89)	
113	1103 3736	Connector: FH12S-45S-0.5SH(89)	
114	1104 0821	IC Socket: 16008-B0A0020N	
115	1400 1240	Transistor: SRC1202UF	
116	1400 1241	Transistor: SRC1206UF	
117	1400 1243	Transistor: SRC1210UF	
118	1400 1244	Transistor: SRA2206UF	
119	1401 1414	FET: Si3433BDV-E3	
120	1402 1798	Diode - RSX30	
121	1403 0978	LED - SML-310DT	
122	1403 0996	LED - SML-310VT	
123	1407 2187	TTLIC - SN74LS07NS	
124	1407 4840	IC - TC7SH04FU	
125	1407 5346	IC - SN74LS74ANS	
126	1407 5347	IC - SN74LV08APW	
127	1407 5351	IC - SN74LV14APW	
128	1407 5353	IC - SN74LV244APW	
129	1407 5368	IC - 74LVC245A TSSOP	
130	1407 5392	IC: SN74LV541APW	
131	1407 5463	IC - SN74LV245APW	
132	1407 5633	IC - SN74LV574APW	
133	1407 5713	IC: SN74LV06APW	
134	1407 5773	CMOS Logic: SN74LVC541APW	
135	1407 6166	IC - ESOC	

Index No.	Part No.	Description	Q'ty Per Assembly
136	1407 6430	IC - GAVD Type-R	
137	1407 6613	Clock Generator: ICS7152M-01LF	
138	1407 6641	Custom IC: LEO	
139	1407 6787	CMOS Logic: TC7SH125FU	
140	1407 6801	CMOS Logic: TC7PA17FU	
141	1407 6803	CMOS Logic: TC7SZ07FU	
142	1407 6823	Custom IC: GASIU	
143	1407 7190	Controller: RB5V871A	
144	1408 1779	IC - R3112Q281A	
145	1408 1826	IC - R3112Q421A	
146	1408 1829	Op Amp - LM358PW	
147	1408 1850	Regulator - R1170H181B	
148	1408 1907	IC: R3112Q451A-FA	
149	1408 2024	IC: R3112Q261A-FA	
150	1408 2088	IC: LTC3701EGN#TRPBF	
151	1408 2524	Series Regulator: R1171S181B-F	
152	1503 1110	Crystal Oscillator: 28.7MHz	
153	1503 1215	Crystal Oscillator - 17.5MHz	
154	1600 1880	Resistor - 25M Ω \pm 1% 1W	
155	1604 4728	Capacitor - 100 μ F \pm 20% 16V	
156	1604 4968	Capacitor: 330 μ F: \pm 20%: 6.3V	
157	1604 5186	Capacitor: 220 μ F: \pm 20%: 10V	
158	1605 1124	Capacitor - 4.7 μ F+80 -20% 10V	
159	1605 1148	Capacitor - 0.1 μ F+80-20% 50V	
160	1605 1176	Ceramic Capacitor 0.47 μ F+80-20%16V	
161	1605 1201	Capacitor - 12pF \pm 5% 50V	
162	1605 1202	Capacitor - 15pF \pm 5% 50V	
163	1605 1205	Capacitor - 33pF \pm 5% 50V	
164	1605 1206	Capacitor - 47pF \pm 5% 50V	
165	1605 1207	Capacitor - 68pF \pm 5% 50V	
166	1605 1208	Capacitor: 100pF: \pm 5%: 50V	
167	1605 1210	Capacitor: 180pF: \pm 5%: 50V	
168	1605 1211	Capacitor - 220pF \pm 10% 50V	
169	1605 1212	Capacitor - 470pF \pm 10% 50V	
170	1605 1214	Capacitor - 1000pF \pm 10% 50V	

Index No.	Part No.	Description	Q'ty Per Assembly
171	1605 1216	Capacitor - 2200pF \pm 10%50V	
172	1605 1221	Capacitor - 0.1 μ F+80-20%16V	
173	1605 1234	Capacitor: 4700pF: \pm 10%: 50V	
174	1605 1240	Capacitor - 0.01 μ F \pm 10% 25V	
175	1605 1282	Capacitor: 22 μ F: +80-20%: 10V	
176	1605 1285	Capacitor - 3300pF \pm 10% 50V	
177	1605 1289	Capacitor - 0.1 μ F \pm 10% 10V	
178	1605 1295	Capacitor: 10 μ F: +80-20%: 10V	
179	1605 1296	Capacitor - 330pF \pm 10% 50V	
180	1605 1299	Resistor - 56pF \pm 5% 50V	
181	1605 1303	Capacitor - 0.01 μ F+80-20% 50V	
182	1605 1305	Capacitor - 1 μ F+80-20% 6.3V	
183	1605 1347	Capacitor - 1 μ F: +80-20%: 16V	
184	1605 1367	Capacitor - 0.033 μ F \pm 10% 16V	
185	1605 1387	Capacitor - 0.68 μ F \pm 10% 10V	
186	1605 1391	Capacitor - 22 μ F: \pm 20%: 6.3V	
187	1605 1453	Capacitor: 0.022 μ F: \pm 10%: 16V	
188	1605 1474	Capacitor - 47 μ F \pm 20% 6.3V	
189	1605 1544	Resistor - 330pF \pm 5% 50V	
190	1605 1692	Capacitor: 47pF: \pm 10%: 50V	
191	1607 0861	Filter - BK2125HS101	
192	1607 1002	IC - NFM60R30T222	
193	1607 1108	Filter - BLM21PG220SN1B	
194	1607 1222	Inductor - 3.3UH \pm 20% 2.5A	
195	1607 1340	Inductor: SLF7045-220MR90-PF	
196	1607 1351	Filter BLM21PG221SN1B	
197	1607 1546	Inductor - SLF6028-220MR77-PF	
198	1607 1680	Inductor: SLF6028-6R8M1R5-PF	
199	1607 1827	Inductor: RLF7030-2R2M5R4	
200	1609 0005	Resistor: 33 Ω : \pm 5%: 1/16W	
201	1609 0006	Resistor: 10K Ω : \pm 5%: 1/16W	
202	1609 0007	Resistor - 68 Ω \pm 5% 1/16W	
203	1609 0019	Resistor: 0 Ω : 1608	
204	1609 0027	Resistor - 100K Ω \pm 5% 1/16W	
205	1609 0061	Resistor Array: 4.7K Ω : \pm 5%: 1/1Ww: 4Number	

Index No.	Part No.	Description	Q'ty Per Assembly
206	1609 0062	Resistor Array: 10K Ω : $\pm 5\%$: 1/16W: 4Number	
207	1609 0063	Resistor Array: 100 Ω : $\pm 5\%$: 1/16W: 4Number	
208	1609 0064	Resistor Array: 33 Ω : $\pm 5\%$: 1/16W: 4Number	
209	1609 0065	Resistor Array: 68 Ω : $\pm 5\%$: 1/16W: 4Number	
210	1609 0067	Resistor Array: 100K Ω : $\pm 5\%$: 1/16W: 4Number	
211	1610 1420	Resistor - 0.075 Ω $\pm 1\%$ 0.5W	
212	1610 1735	Resistor: 0.05 Ω : $\pm 1\%$: 1W	
213	1610 1877	Resistor: 0.24 Ω : $\pm 1\%$: 2W	
214	1633 0000	Resistor - 0 Ω 1/10W	
215	1634 0000	Resistor - 0 Ω 1/16W	
216	1650 3470	Resistor: 47 Ω : $\pm 5\%$: 1/8W: 2125	
217	1650 4681	Resistor - 680 Ω $\pm 5\%$ 1/10W	
218	1650 5100	Chip Resistor - 10 Ω $\pm 5\%$ 1/16W	
219	1650 5101	Chip Resistor - 100 Ω $\pm 5\%$ 1/16W	
220	1650 5102	Chip Resistor - 1K Ω $\pm 5\%$ 1/16W	
221	1650 5103	Chip Resistor - 10K Ω $\pm 5\%$ 1/16W	
222	1650 5104	Chip Resistor - 100K Ω $\pm 5\%$ 1/16W	
223	1650 5105	Chip Resistor - 1M Ω $\pm 5\%$ 1/16W	
224	1650 5122	Chip Resistor - 1.2K Ω $\pm 5\%$ 1/16W	
225	1650 5222	Resistor - 2.2K Ω $\pm 5\%$ 1/16W	
226	1650 5244	Resistor: 240K Ω : $\pm 5\%$: 1/16W: 1005	
227	1650 5330	Chip Resistor - 33 Ω $\pm 5\%$ 1/16W	
228	1650 5331	Resistor - 330 Ω $\pm 5\%$ 1/16W	
229	1650 5332	Resistor - 3.3K Ω $\pm 5\%$ 1/16W	
230	1650 5333	Resistor: 33K Ω : $\pm 5\%$: 1/16W: 1005	
231	1650 5472	Chip Resistor: 4.7K Ω : $\pm 5\%$: 1/16W	
232	1650 5511	Resistor - 510 Ω $\pm 5\%$ 1/16W	
233	1650 5513	Chip Resistor: 51K Ω : $\pm 5\%$: 1/1W	
234	1650 5561	Chip Resistor 560 Ω $\pm 5\%$ 1/16W	
235	1650 5680	Resistor - 68 Ω $\pm 5\%$ 1/16W	
236	1650 5682	Chip Resistor: 6.8K Ω : $\pm 5\%$: 1/16W: 1005	
237	1654 4709	Resistor - 47 Ω $\pm 1\%$ 1/10W	
238	1654 5109	Resistor: 51 Ω : $\pm 1\%$: 1/10W	
239	1655 0000	Chip Resistor - 0 Ω $\pm 0\%$ 1/16W	
240	1655 1202	Resistor: 12K Ω : $\pm 1\%$: 1/16W: 1005	

Index No.	Part No.	Description	Q'ty Per Assembly
241	1655 2001	Resistor - 2K Ω $\pm 1\%$ 1/16W	
242	1655 2400	Resistor: 240 Ω : $\pm 1\%$: 1/16W: 1005	
243	1655 2402	Resistor - 24K Ω $\pm 1\%$ 1/16W	
244	1655 3742	Resistor: 37.4K Ω : $\pm 1\%$: 1/16W: 1005	
245	1655 4701	Chip Resistor - 4.7K Ω $\pm 1\%$ 1/16W	
246	1655 5600	Resistor - 560 Ω $\pm 1\%$ 1/16W	
247	1655 5609	Resistor - 56 Ω $\pm 1\%$ 1/16W	
248	1660 4222	Capacitor - 2200pF - $\pm 10\%$ - 50V	
249	1660 4332	Capacitor - 3300pF - $\pm 10\%$ - 50V	
250	1902 0084	SRAM: 4M: x16: TSOP44Type2: 3.3V	
251	1906 0101	Flash Memory: S29GL032A90TFIR40	

53.IO Board (D009/D011/D012/D013/D091/D092)

CAPACITOR

SYMBOL NO.	INDEX NO.	SYMBOL NO.	INDEX NO.	SYMBOL NO.	INDEX NO.	SYMBOL NO.	INDEX NO.	SYMBOL NO.	INDEX NO.	SYMBOL NO.	INDEX NO.	SYMBOL NO.	INDEX NO.
C1	181	C11	180	C21	180	C31	185	C41	266	C51	185	C61	266
C2	181	C12	185	C22	179	C32	185	C42	185	C52	266	C62	188
C3	180	C13	180	C23	178	C33	185	C43	185	C53	183	C63	180
C4	180	C14	185	C24	180	C34	185	C44	185	C54	183	C64	180
C5	180	C15	185	C25	195	C35	185	C45	185	C55	184	C65	180
C6	190	C16	180	C26	176	C36	185	C46	185	C56	180	C66	257
C7	187	C17	266	C27	180	C37	185	C47	185	C57	195	C67	180
C8	180	C18	185	C28	179	C38	185	C48	185	C58	195	C68	180
C9	180	C19	180	C29	185	C39	174	C49	185	C59	173	C69	180
C10	180	C20	180	C30	185	C40	179	C50	185	C60	266	C70	262

CAPACITOR

SYMBOL NO.	INDEX NO.	SYMBOL NO.	INDEX NO.	SYMBOL NO.	INDEX NO.	SYMBOL NO.	INDEX NO.	SYMBOL NO.	INDEX NO.	SYMBOL NO.	INDEX NO.	SYMBOL NO.	INDEX NO.
C71	180	C81	180	C91	259	C101	191	C111	266	C121	171	C131	172
C72	266	C82	266	C92	191	C102	187	C112	266	C122	180	C132	172
C73	258	C83	266	C93	266	C103	186	C113	193	C123	180	C133	172
C74	256	C84	266	C94	266	C104	180	C114	266	C124	265	---	---
C75	266	C85	182	C95	182	C105	191	C115	174	C125	180	C135	180
C76	180	C86	191	C96	266	C106	260	C116	182	C126	174	C136	187
C77	266	C87	266	C97	188	C107	191	C117	180	C127	180	C137	178
C78	191	C88	182	C98	266	C108	182	C118	266	C128	180	C138	187
C79	266	C89	187	C99	175	C109	188	C119	266	C129	266	C139	177
C80	186	C90	180	C100	266	C110	266	C120	207	C130	266	C140	177

53.IO Board (D009/D011/D012/D013/D091/D092)

CAPACITOR

SYMBOL NO.	INDEX NO.
C1	181

SYMBOL NO.	INDEX NO.
C141	180
C142	189
C143	264
C144	189
C145	266
C146	264
C147	264
C148	266
C149	266
C150	261

SYMBOL NO.	INDEX NO.
C151	265
C152	265
C153	266
C154	266
C155	263
C156	266
C157	266
C158	186
C159	266
C160	266

SYMBOL NO.	INDEX NO.
C161	263
C162	266
C163	188
C164	188
C165	178
C166	266
C167	263
C168	266
C169	266
C170	261

SYMBOL NO.	INDEX NO.
C171	266
C172	266
C173	178
C174	266
C175	266
C176	266
C177	178
C178	189
C179	189
C180	265

SYMBOL NO.	INDEX NO.
C181	177
C182	180
C183	180

CA

SYMBOL NO.	INDEX NO.
CA1	194
CA2	194
CA3	194
CA4	194
CA5	192
CA6	192
CA7	192
CA8	194
CA9	194
CA10	194

CA

SYMBOL NO.	INDEX NO.
CA11	194
CA12	194
CA13	194
CA14	194

CONNECTOR

SYMBOL NO.	INDEX NO.
CN201	104
CN202	107
CN203	106
CN204	125
CN205	113
CN206	124
CN207	108
CN208	116
CN209	114
CN210	115

SYMBOL NO.	INDEX NO.
CN211	105
---	---
CN213	115
CN214	114
CN215	121
CN216	118
CN217	119
CN218	123
CN219	110
CN220	111

SYMBOL NO.	INDEX NO.
CN221	117
CN222	126
---	---
---	---
---	---
CN226	112
CN227	122
---	---
---	---
CN230	110

SYMBOL NO.	INDEX NO.
---	---
CN232	120
CN233	109
CN234	108
---	---
---	---
---	---
---	---
CN299	103

DIODE

SYMBOL NO.	INDEX NO.
D1	144
D2	144
D3	144
D4	144
D5	144
D6	144
D7	144
D8	144
D9	142
D10	142

SYMBOL NO.	INDEX NO.
D11	142
D12	144
---	---
D14	144
D15	144
---	---
---	---
---	---
---	---

53.IO Board (D009/D011/D012/D013/D091/D092)

DIODE

SYMBOL NO.	INDEX NO.
D21	144
D22	144

FUSE

SYMBOL NO.	INDEX NO.
FU1	127

IC

SYMBOL NO.	INDEX NO.
IC1	158
IC2	157
IC3	169
IC4	154
IC5	152
IC6	153
IC7	159
IC8	152
IC9	156
IC10	149

SYMBOL NO.	INDEX NO.
IC11	166
IC12	160
IC13	167
IC14	2
IC15	151
IC16	162
IC17	155
IC18	161
IC19	161
IC20	150

SYMBOL NO.	INDEX NO.
IC21	148
IC22	148
IC23	146
IC24	158
IC25	167
IC26	164
IC27	165
IC28	147
IC29	147
IC30	147

SYMBOL NO.	INDEX NO.
IC31	147

OSC

SYMBOL NO.	INDEX NO.
OSC1	170

Q

SYMBOL NO.	INDEX NO.
Q1	129
Q2	131
Q3	131
Q4	139
Q5	136
Q6	133
Q7	134
Q8	134
Q9	134
Q10	131

SYMBOL NO.	INDEX NO.
Q11	131
Q12	139
Q13	132
Q14	133
Q15	137
Q16	138
Q17	135
Q18	130
Q19	135

RESISTOR

SYMBOL NO.	INDEX NO.
R1	225
R2	226
R3	225
R4	226
R5	225
R6	226
R7	226
R8	226
R9	225
R10	226

SYMBOL NO.	INDEX NO.
R11	226
R12	225
R13	225
R14	225
R15	225
R16	225
R17	226
R18	225
R19	226
R20	226

SYMBOL NO.	INDEX NO.
---	---
R22	230
R23	225
---	---
R25	226
R26	225
R27	225
R28	230
R29	224
R30	230

SYMBOL NO.	INDEX NO.
R31	224
R32	226
R33	226
R34	230
R35	234
R36	222
R37	226
R38	229
R39	230
R40	226

SYMBOL NO.	INDEX NO.
R41	225
R42	204
R43	204
R44	226
R45	226
R46	226
R47	226
R48	226
R49	226
R50	224

53.IO Board (D009/D011/D012/D013/D091/D092)

RESISTOR

SYMBOL NO.	INDEX NO.	SYMBOL NO.	INDEX NO.	SYMBOL NO.	INDEX NO.	SYMBOL NO.	INDEX NO.	SYMBOL NO.	INDEX NO.	SYMBOL NO.	INDEX NO.	SYMBOL NO.	INDEX NO.
R51	226	R61	226	R71	220	R81	251	R91	226	R101	230	R111	252
R52	226	R62	230	R72	223	R82	251	R92	226	R102	225	R112	221
R53	234	---	---	R73	225	R83	231	R93	234	R103	226	R113	225
R54	234	R64	227	R74	226	R84	231	R94	230	R104	252	R114	225
R55	226	R65	233	R75	226	R85	225	R95	226	R105	211	R115	225
R56	226	R66	226	R76	226	R86	225	R96	234	R106	211	R116	255
R57	226	R67	226	---	---	R87	231	R97	226	R107	221	R117	226
R58	226	R68	230	R78	226	---	---	R98	203	R108	234	R118	249
R59	226	---	---	R79	203	R89	230	R99	230	R109	226	R119	250
R60	226	R70	202	R80	226	R90	225	R100	226	R110	226	R120	225

RESISTOR

SYMBOL NO.	INDEX NO.	SYMBOL NO.	INDEX NO.	SYMBOL NO.	INDEX NO.	SYMBOL NO.	INDEX NO.	SYMBOL NO.	INDEX NO.	SYMBOL NO.	INDEX NO.	SYMBOL NO.	INDEX NO.
R121	226	R131	226	R141	232	R151	226	R161	226	R171	225	R181	217
R122	228	R132	225	R142	254	R152	226	R162	254	R172	226	R182	202
R123	206	R133	232	R143	225	R153	226	R163	253	R173	226	R183	225
R124	226	R134	225	R144	226	R154	226	R164	226	R174	226	R184	233
R125	226	R135	218	R145	226	R155	226	R165	226	R175	212	R185	226
R126	230	R136	231	R146	226	R156	226	R166	225	R176	219	R186	226
R127	232	R137	230	R147	208	R157	226	R167	226	R177	226	R187	226
R128	226	R138	218	R148	253	R158	225	R168	233	R178	225	R188	226
R129	231	R139	226	R149	226	R159	226	R169	227	R179	226	R189	210
R130	228	R140	232	R150	226	R160	226	R170	226	R180	226	R190	205

53.IO Board (D009/D011/D012/D013/D091/D092)

RESISTOR

SYMBOL NO.	INDEX NO.	SYMBOL NO.	INDEX NO.	SYMBOL NO.	INDEX NO.	SYMBOL NO.	INDEX NO.	SYMBOL NO.	INDEX NO.	SYMBOL NO.	INDEX NO.	SYMBOL NO.	INDEX NO.
R191	205	R201	227	R211	237	R221	214	R231	213	R241	213	R251	211
R192	233	R202	226	R212	212	R222	248	R232	213	R242	215	R252	243
R193	226	R203	212	R213	236	R223	236	R233	241	R243	216	R253	247
---	---	R204	213	R214	244	R224	212	R234	241	R244	206	R254	245
R195	226	R205	213	R215	236	R225	237	R235	240	---	---	R255	246
R196	225	R206	212	R216	236	R226	237	R236	240	R246	213	R256	246
R197	209	---	---	R217	236	R227	213	R237	213	---	---	R257	238
R198	226	R208	213	R218	242	R228	206	R238	226	R248	213	R258	213
R199	225	R209	225	R219	212	R229	206	---	---	R249	213	R259	241
R200	226	---	---	R220	236	R230	213	R240	226	---	---	R260	246

RESISTOR

SYMBOL NO.	INDEX NO.	SYMBOL NO.	INDEX NO.	SYMBOL NO.	INDEX NO.	SYMBOL NO.	INDEX NO.	SYMBOL NO.	INDEX NO.	SYMBOL NO.	INDEX NO.	SYMBOL NO.	INDEX NO.
R261	213	R271	244	R281	225	REG1	163	RN1	198	RN11	199	RN21	196
R262	239	R272	235	R282	225	REG2	168	RN2	200	RN12	196	RN22	198
R263	213	R273	242	R283	226			RN3	198	RN13	201	RN23	198
R264	213	R274	213	R284	226			RN4	198	RN14	198	RN24	198
R265	206	R275	212	---	---			RN5	197	RN15	198	RN25	199
---	---	R276	212	R286	226			RN6	197	RN16	200	RN26	199
---	---	R277	213	R287	226			RN7	200	RN17	198	RN27	199
---	---	R278	226	R288	203			RN8	199	RN18	199	RN28	196
---	---	R279	226	R289	234			RN9	198	RN19	199	RN29	199
R270	213	R280	226					RN10	196	RN20	199	RN30	198

REG

SYMBOL NO.	INDEX NO.
REG1	163
REG2	168

RN

SYMBOL NO.	INDEX NO.	SYMBOL NO.	INDEX NO.	SYMBOL NO.	INDEX NO.	SYMBOL NO.	INDEX NO.
RN1	198	RN11	199	RN21	196		
RN2	200	RN12	196	RN22	198		
RN3	198	RN13	201	RN23	198		
RN4	198	RN14	198	RN24	198		
RN5	197	RN15	198	RN25	199		
RN6	197	RN16	200	RN26	199		
RN7	200	RN17	198	RN27	199		
RN8	199	RN18	199	RN28	196		
RN9	198	RN19	199	RN29	199		
RN10	196	RN20	199	RN30	198		

53.IO Board (D009/D011/D012/D013/D091/D092)

RN

SYMBOL NO.	INDEX NO.
RN31	200
RN32	198
RN33	198
RN34	198
RN35	198
---	---
RN37	198
RN38	198
RN39	197
RN40	197

SYMBOL NO.	INDEX NO.
RN41	198
RN42	201
RN43	201
RN44	198
RN45	198
---	---
RN46	200
RN47	200
RN48	197
RN49	200
RN50	200

SYMBOL NO.	INDEX NO.
RN51	200
RN52	200
RN53	197
RN54	197
RN55	198

SW

SYMBOL NO.	INDEX NO.
SW1	128

TH

SYMBOL NO.	INDEX NO.
TH1	145

TP

SYMBOL NO.	INDEX NO.
TP1	101
TP2	101
TP3	101
TP4	101
TP5	101
---	---
TP6	101
TP7	101
TP8	101
TP9	101
TP10	101

SYMBOL NO.	INDEX NO.
TP11	101
TP12	101
TP13	101
TP14	101
TP15	101
---	---
TP16	101
TP17	101
TP18	101
TP19	101
TP20	101

TP

SYMBOL NO.	INDEX NO.
TP21	101
TP22	101
TP23	101
TP24	101
TP25	101
---	---
TP26	101
TP27	101
TP28	102
TP29	101
TP30	102

SYMBOL NO.	INDEX NO.
TP31	101
---	---
---	---
TP34	102
TP35	101
---	---
TP36	101
---	---
TP38	101
TP39	102
TP40	101

SYMBOL NO.	INDEX NO.
TP41	101
TP42	101
TP43	101
TP44	102
TP45	101
---	---
TP46	101
TP47	101
TP48	101
TP49	101
TP50	101

SYMBOL NO.	INDEX NO.
TP51	101
TP52	101
TP53	101

ZD

SYMBOL NO.	INDEX NO.
ZD1	143
ZD2	143
ZD3	140
ZD4	141
ZD5	141
---	---
ZD6	141
ZD7	143

53.IO Board (D009/D011/D012/D013/D091/D092)

Rev. 09/12/2011

Index No.	Part No.	Description	Q'ty Per Assembly
*	D009 5155	IO Board	1
1	B238 5503	IC: TRIO2	1

Index No.	Part No.	Description	Q'ty Per Assembly
101	1100 1475	Test Pin	
102	1101 0328	Connector Pin Contact	
103	1102 4203	CT Header - 4P	
104	1102 6300	Connector - 7P	
105	1102 6297	Connector - 4P	
106	1102 6397	Box Header	
107	1102 6594	Connector - 10P	
108	1102 8466	Connector: 55447-0210	
109	1102 8467	Connector - 55447-0370	
110	1102 8470	Connector - 55447-0610	
111	1102 8471	Connector - 55447-071	
112	1102 8474	Connector - 5 P	
113	1102 8475	Connector - 11P	
114	1102 8477	Connector - 13P	
115	1102 8480	Connector - 55447-1610	
116	1102 8481	Connector - 55447-1760	
117	1102 8485	Connector - 55451-2210	
118	1102 8488	Connector - 5451-2810	
119	1102 8492	Connector - 55451-3610	
120	1102 9108	Connector - 353297-3	
121	1102 9109	Connector - 353297-4	
122	1102 9114	Connector - 353297-1	
123	1102 9117	Connector - 353297-8	
124	1102 9120	Connector - 2-292208-2	
125	1102 9121	Connector: 2-353308-4	
126	1103 3188	Connector: FH12S-50S-0.5SH(89)	
127	1109 0082	Fuse: SMD1812P110TF	
128	1204 2768	Dip Switch: NDIR-08HT-V	
129	1400 0728	Transistor - 2SD2170	
130	1400 0902	Transistor - DTA113ZUA	
131	1400 1209	Transistor: 2SA1980UF	
132	1400 1212	Transistor: 2SA1980UF-Y	
133	1400 1214	Transistor: 2SC5343UF-G	
134	1400 1240	Transistor: SRC1202UF	
135	1400 1241	Transistor: SRC1206UF	

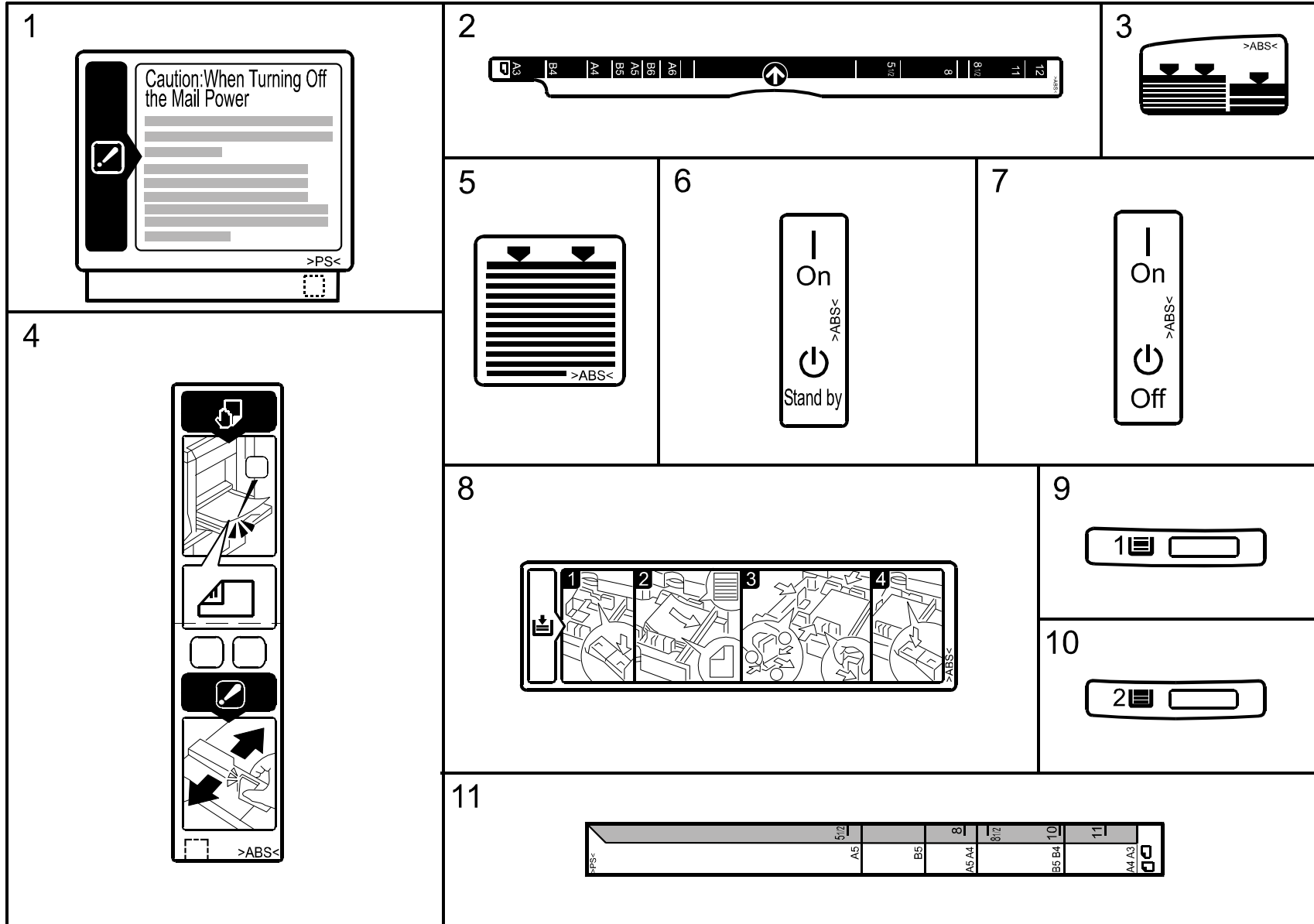
Index No.	Part No.	Description	Q'ty Per Assembly
136	1400 1246	Transistor: SRC1205UF	
137	1400 1258	Transistor: 2SA1980UF-G	
138	1400 1259	Transistor: 2SC5343UF-L	
139	1401 0972	Transistor-2SB1260	
140	1402 1662	Diode: PTZ6.2B	
141	1402 1663	Diode - ZTP12B	
142	1402 1932	Diode: SDS142WMF	
143	1402 1952	Diode - TDZ12	
144	1402 1996	Diode: SDS511Q	
145	1404 0360	Thermistor - 103HT	
146	1407 1535	IC - TD62308AP	
147	1407 2187	TTLIC - SN74LS07NS	
148	1407 2219	IC - TD62003AP	
149	1407 4840	IC - TC7SH04FU	
150	1407 5344	IC - SN74LV02APW	
151	1407 5347	IC - SN74LV08APW	
152	1407 5351	IC - SN74LV14APW	
153	1407 5392	IC: SN74LV541APW	
154	1407 5469	IC - SN74LV07APW	
155	1407 6196	Motor Control IC: STK672-610	
156	1407 6197	Driver: M54563P	
157	1407 6314	Motor Control IC: TB6561NG	
158	1407 6320	Motor Control IC: MTD1501S-7101	
159	1407 6492	Clock Generator - ICS180M-51LF	
160	1407 6759	Custom IC: EIO	
161	1407 6847	Motor Control IC: STK672-600B-E	
162	1408 1204	IC - TA8083P	
163	1408 1383	Regulator - TA7812F	
164	1408 1779	IC - R3112Q281A	
165	1408 1826	IC - R3112Q421A	
166	1408 2029	Comparator: LM2901PW	
167	1408 2030	Operational Amplifier - LM224D	
168	1408 2122	Series Regulator - R1130H331A-FB	
169	1408 2468	IC: R1250V401A-F	
170	1503 1004	Oscillator - 19.6608MHz	

Index No.	Part No.	Description	Q'ty Per Assembly
171	1604 4661	Capacitor - 100 μ F \pm 20% 50V	
172	1604 4825	Capacitor - 220 μ F \pm 20% 35V	
173	1604 5452	Capacitor: 47 μ F: \pm 20%: 10V	
174	1604 5524	Capacitor - 100 μ F \pm 20% 50V	
175	1604 5669	Capacitor: 470 μ F: \pm 20%: 25V	
176	1604 5670	Capacitor: 10 μ F: \pm 20%: 25V	
177	1605 1137	Capacitor - 470pF \pm 10% 50V	
178	1605 1148	Capacitor - 0.1 μ F+80-20% 50V	
179	1605 1206	Capacitor - 47pF \pm 5% 50V	
180	1605 1212	Capacitor - 470pF \pm 10% 50V	
181	1605 1214	Capacitor - 1000pF \pm 10% 50V	
182	1605 1216	Capacitor - 2200pF \pm 10%50V	
183	1605 1234	Capacitor: 4700pF: \pm 10%: 50V	
184	1605 1281	Capacitor - 0.22 μ F \pm 10% 16V	
185	1605 1293	Capacitor - 27pF \pm 5%50V	
186	1605 1294	Resistor - 1000pF \pm 5% 50V	
187	1605 1303	Capacitor - 0.01 μ F+80-20% 50V	
188	1605 1353	Capacitor - 0.1 μ F \pm 10% 25V	
189	1605 1354	Capacitor: 1200pF: \pm 5%: 50V	
190	1605 1396	Capacitor - 0.33 μ F \pm 10% 50V	
191	1605 1447	Resistor - 470pF \pm 5% 50V	
192	1605 1481	Capacitor: 1000pF: \pm 20%: 50V	
193	1605 1489	Resistor - 2.2 μ F \pm 10% 25V	
194	1605 1531	Capacitor: 470pF: \pm 20%: 50V	
195	1605 1605	Capacitor - 4.7 μ F \pm 10% 10V	
196	1609 0005	Resistor: 33 Ω : \pm 5%: 1/16W	
197	1609 0006	Resistor: 10K Ω : \pm 5%: 1/16W	
198	1609 0096	Resistor Array: 10K Ω : \pm 5%: 1/16W: 4Number	
199	1609 0098	Resistor Array: 33 Ω : \pm 5%: 1/16W: 4Number	
200	1609 0111	Resistor Array: 1K Ω : \pm 5%: 1/16W: 4Number	
201	1609 0114	Resistor Array: 68 Ω : \pm 5%: 1/16W: 4Number	
202	1610 1409	Chip Resistor - 6.8 Ω \pm 5%	
203	1610 1947	Resistor: 220 Ω : \pm 5%: 1W: 6332	
204	1610 1997	Resistor: 1.5 Ω : \pm 1%: 1W: 6332	
205	1610 2049	Resistor: 1.8 Ω : \pm 1%: 1W: 6332	

Index No.	Part No.	Description	Q'ty Per Assembly
206	1634 0000	Resistor - 0 Ω 1/16W	
207	1640 5100	Capacitor - 10 μ F+20% 50	
208	1650 2101	Resistor - 100 Ω \pm 5% 1/4W	
209	1650 2682	Resistor - 6.8K Ω \pm 5% 1/4W	
210	1650 3153	Resistor: 15K Ω : \pm 5%: 1/8W	
211	1650 4101	Resistor - 100 Ω \pm 5%1/10W	
212	1650 4102	Resistor - 1K Ω \pm 5% 1/10W	
213	1650 4103	Resistor - 10K Ω \pm 5% 1/10W	
214	1650 4104	Resistor - 100K Ω \pm 5%1/10W	
215	1650 4105	Resistor - 1M Ω \pm 5% 1/10W	
216	1650 4222	Resistor - 2.2K Ω \pm 5%1/10W	
217	1650 4223	Resistor - 22K Ω \pm 5%1/10W	
218	1650 4330	Chip Resistor - 33 Ω \pm 5% 1/10W	
219	1650 4472	Resistor - 4.7K Ω \pm 5% 1/10W	
220	1650 4510	Resistor - 51 Ω \pm 5%1/10W	
221	1650 4560	Chip Resistor - 56 Ω \pm 5% 1/10W	
222	1650 4621	Resistor - 620 Ω \pm 5% 1/10W 1608	
223	1650 4681	Resistor - 680 Ω \pm 5% 1/10W	
224	1650 5100	Chip Resistor - 10 Ω \pm 5%1/16W	
225	1650 5102	Chip Resistor - 1K Ω \pm 5%1/16W	
226	1650 5103	Chip Resistor - 10K Ω \pm 5%1/16W	
227	1650 5104	Chip Resistor - 100K Ω \pm 5%1/16W	
228	1650 5204	Chip Resistor - 200K Ω \pm 5%1/16W	
229	1650 5220	Resistor - 22 Ω \pm 5% 1/16W	
230	1650 5222	Resistor - 2.2K Ω \pm 5% 1/16W	
231	1650 5330	Chip Resistor - 33 Ω \pm 5%1/16W	
232	1650 5472	Chip Resistor: 4.7K Ω : \pm 5%: 1/16W	
233	1650 5473	Chip Resistor - 47K Ω \pm 5% 1/16W	
234	1650 5680	Resistor - 68 Ω \pm 5% 1/16W	
235	1654 1001	Resistor - 1K Ω \pm 1%1/10W	
236	1654 1003	Resistor - 100K Ω \pm 1%1/10W	
237	1654 1403	Resistor: 140K Ω : \pm 1%: 1/10W	
238	1654 1601	Chip Resistor - 1.6K Ω \pm 1% 1/10W	
239	1654 2001	Chip Resistor - 2K Ω \pm 1% 1/10W	
240	1654 2002	Resistor - 20K Ω \pm 1%1/10W	

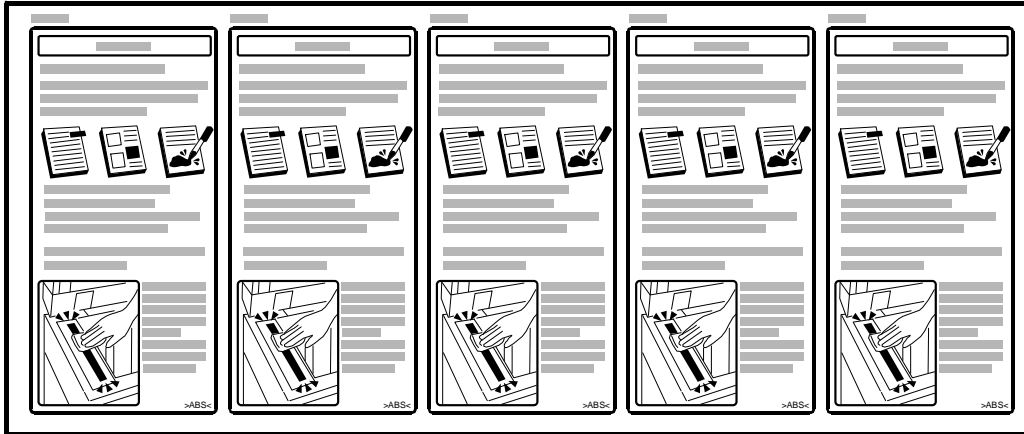
Index No.	Part No.	Description	Q'ty Per Assembly
241	1654 2401	Resistor - 2.4K Ω \pm 1% 1/10W	
242	1654 3301	Resistor - 3.3K Ω \pm 1% 1/10W	
243	1654 3601	Resistor - 3.6K Ω \pm 1% 1/10W	
244	1654 5601	Resistor - 5.6K Ω \pm 1% 1/10W	
245	1654 6201	Resistor - 6.2K Ω \pm 1% 1/10W	
246	1654 6801	Resistor - 6.8K Ω \pm 1% 1/10W	
247	1654 7501	Resistor - 7.5K Ω \pm 1%1/10W-1608	
248	1654 9100	Resistor: 910 Ω : \pm 1%: 1/10W: 1608	
249	1655 1001	Chip Resistor - 1K Ω \pm 1% 1/16W	
250	1655 1002	Chip Resistor - 10K Ω \pm 1%1/16W	
251	1655 2002	Chip Resistor - 20K Ω \pm 1%1/16W	
252	1655 2402	Resistor - 24K Ω \pm 1% 1/16W	
253	1655 3902	Resistor: 39K Ω : \pm 1%: 1/16W: 1005	
254	1655 4701	Chip Resistor - 4.7K Ω \pm 1%1/16W	
255	1655 5621	Resistor - 5.62K Ω \pm 1% 1/16W	
256	1660 2120	Capacitor - 12 pF \pm 5% 50V	
257	1660 2150	Capacitor - 15pF \pm 5% 50V	
258	1660 2330	Capacitor - 33pF - \pm 5% - 50V	
259	1660 2470	Capacitor - 47pF \pm 5% 50V	
260	1660 2471	Capacitor - 470pF - \pm 5% - 50V	
261	1660 4102	Capacitor - 1000pF \pm 10% 50V	
262	1660 4103	Capacitor - 10000pF - \pm 10% - 50V	
263	1660 4222	Capacitor - 2200pF - \pm 10% - 50V	
264	1660 4472	Capacitor - 4700pF \pm 10% 50V	
265	1660 6103	Capacitor - 10000pF - +80%-20%50V	
266	1660 8104	Capacitor - 0.1 μ F+80-20% 25V	

54.Decals and Documents (D009/D011/D012/D013/D091/D092)



54.Decals and Documents (D009/D011/D012/D013/D091/D092)

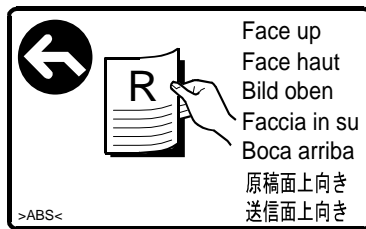
12



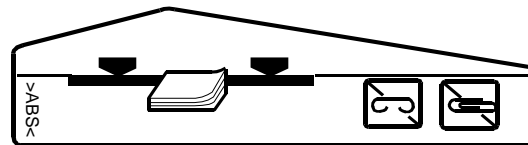
17



13



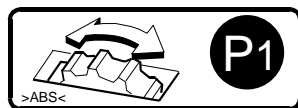
14



18



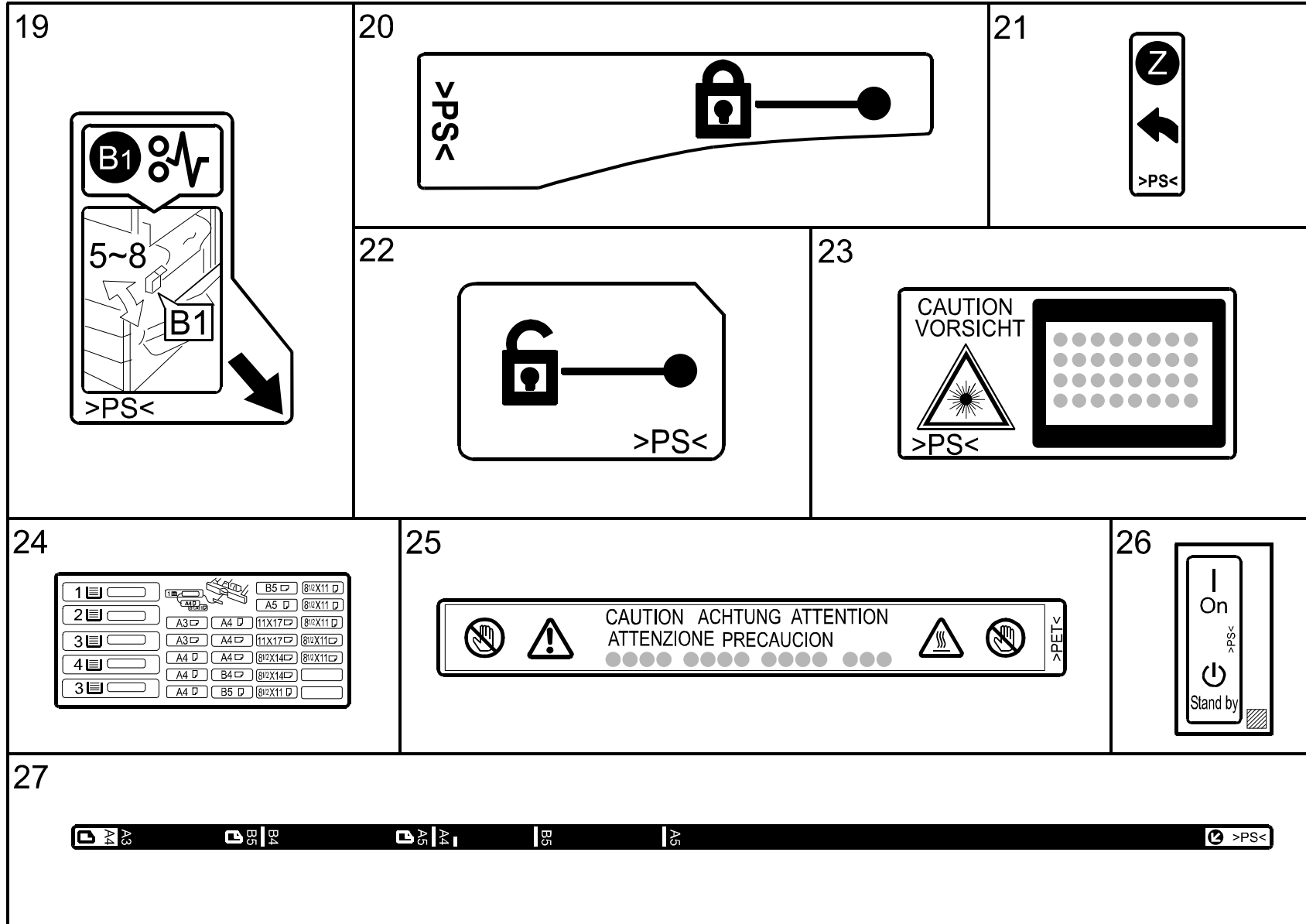
15



16

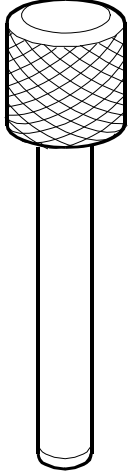
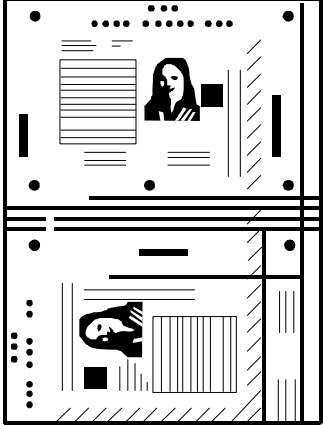
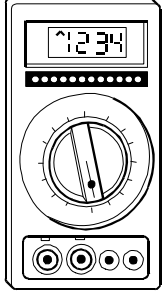
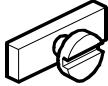
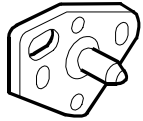
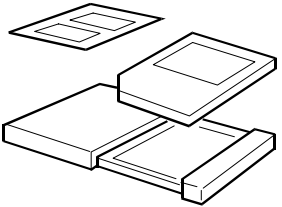
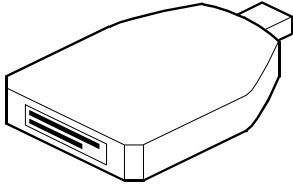
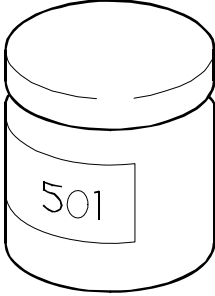


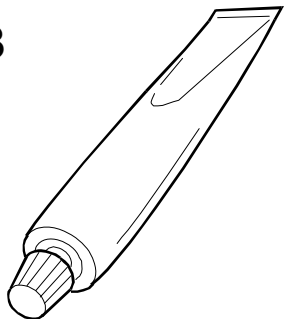
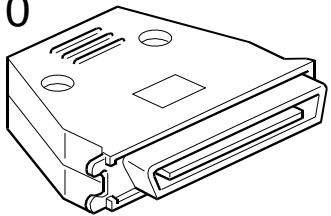


54.Decals and Documents (D009/D011/D012/D013/D091/D092)



55.Special Tools (D009/D011/D012/D013/D091/D092)

Rev. 05/23/2012

<p>1</p> 	<p>2</p> 	<p>3</p> 	<p>4</p> 	<p>5</p> 
<p>6</p> 	<p>7</p> 	<p>9</p> 	<p>11</p> 	<p>12</p> 
<p>8</p> 	<p>10</p> 			

55.Special Tools (D009/D011/D012/D013/D091/D092)

Rev. 05/23/2012

Index No.	Part No.	Description	Q'ty Per Assembly
1	A006 9104	Scanner Positioning Pin (4PCS/Set)	1
2	A292 9500	Test Chart - S5S (10PCS/Set)	1
3	VSSM 9000	Digital Multimeter - FLUKE 187	1
4	A230 9003	Adjustment Cam - Laser Unit	1
5	A230 9004	Positioning Pin - Laser Unit	1
6	B645 5010	SD Card	1
7	B645 6820	SD-Card: USB: Writer: BN-SDCGTY	1
8	A257 9300	Grease Barrierta - S552R	1
9	5203 9502	Silicon Grease G-501	1
10	G021 9350	Loop Back Connector	1
11	D091 1361	Duct: Right Rr Sideways: Alex: Ass'y [TSB#054]	1
12	D091 1362	Duct: Rear: Alex: Ass'y [TSB#054]	1

Index No.	Part No.	Description	Q'ty Per Assembly

D009/D011/D012/D013/D091/D092
PARTS INDEX

This section shows you the part numbers and descriptions used on this machine.

PM Parts Index

Section Name	Part No.	Description in Service Manual	Description in Parts Catalog	Q'ty Per Assembly	Page and Index No.
PCDU 1 (D009/D011/D012/D013/D091/D092)	B296 9640	Developer - Black	Developer - Black	1	13 - 5
PCDU 1 (D009/D011/D012/D013/D091/D092)	D009 3086	Development Filter	Development Filter	1	13 - 25
PCDU 1 (D009/D011/D012/D013/D091/D092)	D009 3084	Development Filter:Front	Development Filter:Front	1	13 - 39
PCDU 1 (D009/D011/D012/D013/D091/D092)	D009 3085	Development Filter:Rear	Development Filter:Rear	1	13 - 40
Paper Registration (D009/D011/D012/D013/D091/D092)	D009 2351	Cleaning Blade	Cleaning Blade	1	13 - 24
Paper Registration (D009/D011/D012/D013/D091/D092)	AD02 7012	Roller:Charge:Apply	Roller:Charge:Apply	1	25 - 37
Paper Registration (D009/D011/D012/D013/D091/D092)	D009 9510	OPC Drum	OPC Drum	1	25 - 41
Paper Registration (D009/D011/D012/D013/D091/D092)	AD02 5021	Pick-Off Pawl	Pick-Off Pawl	1	27 - 44
Paper Registration (D009/D011/D012/D013/D091/D092)	G790 2329	Brush Roller:Cleaner:Charge:Amabuki	Brush Roller:Cleaner:Charge:Amabuki:Ass'y	1	55 - 46
Transfer Belt Unit 1 (D009/D011/D012/D013/D091/D092)	A232 3880	Transfer Belt	Transfer Belt	1	55 - 15
Transfer Belt Unit 2 (D009/D011/D012/D013/D091/D092)	AD04 1135	Cleaning Blade - Transfer Belt	Cleaning Blade - Transfer Belt	1	55 - 1
Fusing Unit 2 (D009/D011/D012/D013/D091/D092)	AE04 4099	Stripper Pawls	Stripper Pawls	1	61 - 17
Fusing Unit 2 (D009/D011/D012/D013/D091/D092)	D009 4177	Thermistor	Thermistor	1	61 - 25
Fusing Unit 2 (D009/D011/D012/D013/D091/D092)	AE01 0099	Hot Roller	Hot Roller	1	61 - 40
Fusing Unit 2 (D009/D011/D012/D013/D091/D092)	AE02 0199	Pressure Roller	Pressure Roller	1	61 - 43
Fusing Unit 3 (D009/D011/D012/D013/D091/D092)	B065 4247	Brake Pad	Brake Pad	1	61 - 4
Fusing Unit 3 (D009/D011/D012/D013/D091/D092)	AE04 0099	Holder Roller	Holder Roller	1	67 - 9

Section Name	Part No.	Description in Service Manual	Description in Parts Catalog	Q'ty Per Assembly	Page and Index No.
Fusing Unit 3 (D009/D011/D012/D013/D091/D092)	AE04 5099	Cleaning Web	Cleaning Web	1	71 - 18

Parts Index

Part No.	Description	Page and Index No.
D009 1088	Grip Bracket - Right Rear	97 - 25
D009 1090	Connector Bracket - Fusing	91 - 8
D009 1093	Stopper Bracket - Grip	109 - 16M
D009 1111	Drum Shaft	93 - 23
D009 1113	Drive Unit- Transfer On-Off	93 - 10
D009 1120	Rear Drive Bracket - Engine	93 - 6
D009 1121	Ground Plate - Drum	93 - 8
D009 1123	Drive Bracket - Transfer	93 - 11
D009 1125	Tightener Bracket - Transfer	93 - 31
D009 1127	Roller - Tightener	93 - 28
D009 1128	Spring - Tightener	93 - 29
D009 1131	Joint - Development Roller	93 - 20
D009 1135	Tightener Bracket - Development	93 - 30
D009 1139	Front Drive Bracket - Engine	93 - 24
D009 1141	Ground Plate - Drum	93 - 18
D009 1142	Pulley - 48T/90T	93 - 26
D009 1145	Drum Shaft Holder	93 - 19
D009 1147	Terminal - Development Roller	93 - 21
D009 1148	Collar - 6x18.8mm	93 - 13
D009 1151	Bracket - Registration Drive Unit	95 - 3
D009 1158	Holder - Paddle Roller Drive	91 - 33
D009 1161	Bracket - Paddle Roller Drive	91 - 28
D009 1164	Shaft - Paddle Roller Drive	91 - 34
D009 1171	Bracket - Fusing Drive Sub-Unit	91 - 12
D009 1182	Joint Cover	91 - 1
D009 1183	Joint - Cleaning	91 - 2
D009 1187	Bracket - Fusing Cleaning Drive	91 - 17
D009 1193	Sensor Bracket	91 - 16
D009 1194	Motor Holder	91 - 24
D009 1195	Motor Bracket	91 - 25
D009 1241	Inner Cover: Upper: Left: DOM	13 - 1
D009 1242	Inner Cover - Left	13 - 10
D009 1243	Inner Cover - Right Upper	15 - 17
D009 1244	Inner Cover - Middle	13 - 2
D009 1256	Sheet - Misfeed Removal	13 - 18

Part No.	Description	Page and Index No.
D009 1260	Upper Cover	15 - 5
D009 1272	Right Cover - Rear	13 - 21
D009 1282	Cover: Left: Upper: DOM	15 - 2
D009 1351	Upper Fusing Duct	103 - 2
D009 1352	Lower Fusing Duct	103 - 3
D009 1354	Rear Exhaust Duct - Right	103 - 14
D009 1355	Rear Exhaust Duct - Left	103 - 11
D009 1356	Sponge: Duct: Exhaust	103 - 5
D009 1366	Middle Exhaust Duct - Upper	101 - 1
D009 1367	Middle Exhaust Duct - Lower	101 - 2
D009 1368	Front Upper Duct	101 - 3
D009 1369	Front Lower Duct	101 - 4
D009 1371	Exit Duct - MM60	101 - 20
D009 1411	Operation Panel - NA	17 - *
D009 1412	Operation Panel - EU	17 - *
D009 1413	Operation Panel - AA	17 - *
D009 1415	Operation Panel: TWN	17 - *
D009 1461	PCB - LCDC NA	17 - 9
D009 1462	PCB - LCDC EU	17 - 9
D009 1463	PCB - LCDC AA	17 - 9
D009 1466	PCB: ALC1: OP-R: Sub-ass'y	17 - 31
D009 1480	Harness: OP-R: 10	17 - 5
D009 1481	Harness: OP-R: 13	17 - 6
D009 1482	Harness: OP-L: 12	17 - 30
D009 1483	Harness: OP-L: 13	17 - 29
D009 1484	Harness: Inverter	17 - 11
D009 1486	Inverter: TFT	17 - 10
D009 1487	Cable: FFC: TFT: LCD	17 - 19
D009 1488	Touch Panel: W-VGA: MA	17 - 15
D009 1498	LCD: TFT: W-VGA: MV	17 - 18
D009 1502	Cover: Lower	17 - 38
D009 1504	Shading Plate: Touch Panel	17 - 14
D009 1681	Inner Cover - MS	45 - 16
D009 1715	1st Carriage Ass'y	43 - 4
D009 1731	Bracket A - Left Scale	41 - 1

Part No.	Description	Page and Index No.
D009 1732	Bracket B - Left Scale	41 - 2
D009 1742	Bracket - Printed Circuit Board	45 - 12
D009 1779	Gasket - 10x25	45 - 18
D009 1814	Original Sensor Bracket - 48mm	45 - 10
D009 1815	Original Sensor Bracket - Sub Scan	45 - 2
D009 1816	Original Sensor Bracket	47 - 19
D009 1821	Inverter Bracket	47 - 31
D009 1832	Lens Unit	45 - 17
D009 1840	Xenon Lamp - MS model	43 - 3
D009 1860	Imaging Unit	49 - 1
D009 1861	Cover - Polygon Motor	49 - 2
D009 1870	Laser Diode Unit	49 - 8
D009 2105	PCU	63 - 1
D009 2201	Seal: Drum: Front	65 - 12
D009 2202	Seal: Drum: Rear	65 - 14
D009 2203	Seal: Drum: Entrance	65 - 13
D009 2204	Seal: Blade: Upper: Case	65 - 15
D009 2205	Seal: Blade: Upper Rear: Small	65 - 11
D009 2211	Frame: PCU: Upper: Ass'y	65 - 1
D009 2240	Rear Flange - Lock	59 - 23
D009 2241	Front Flange - Lock	59 - 28
D009 2242	Spring Plate - Lock	59 - 29
D009 2243	Shaft - Lock	59 - 25
D009 2244	Stopper - Lock	59 - 27
D009 2245	Stopper Cover - Stopper	59 - 26
D009 2247	Cover - Lock Lever	15 - 13
D009 2248	Guide Plate - Lock Lever	15 - 16
D009 2249	Spring Plate - Lock Lever	15 - 15
D009 2254	Base - Lock Lever	15 - 14
D009 2279	Seal: Toner Supply: Entrance: Upper	65 - 7
D009 2301	Development Unit	63 - 4
D009 2303	Drum Hold Plate	65 - 38
D009 2317	Electrode Plate - Charge	65 - 4
D009 2318	Spring Plate - Electrode	65 - 25
D009 2331	Front Arm - Pressure/Charge	65 - 19

Part No.	Description	Page and Index No.
D009 2336	Rear Arm - Pressure/Charge	65 - 30
D009 2351	Cleaning Blade	65 - 24
D009 2367	Density Sensor	99 - 10
D009 2380	Front Side Plate - Coupling	65 - 6
D009 2389	Rear Side Plate - Coupling	65 - 2
D009 2389	Rear Side Plate - Coupling	63 - 2
D009 2390	Idler Bracket	65 - 3
D009 2426	Seal - 24.5x68.5	65 - 34
D009 2445	Handle - PCU	65 - 5
D009 2480	Screw - M3x10	63 - 32
D009 2510	Guide Plate - Exit	85 - 11
D009 2527	Cover - Electrical Components	103 - 13
D009 2552	Guide Sheet - Manual Feed	57 - 17
D009 2554	Guide Sheet - Vertical Transport	85 - 1
D009 2555	Transport Roller - Duplex Exit	57 - 18
D009 2560	Driven Roller	85 - 14
D009 2563	Guide Plate - Vertical Transport	85 - 2
D009 2571	Holder - Vertical Transport	85 - 5
D009 2572	Transport Belt	85 - 6
D009 2573	Pulley - Vertical Transport	85 - 8
D009 2574	Pulley - Idler	85 - 7
D009 2575	Shaft - Idler	85 - 10
D009 2576	Shaft - Vertical Transport	85 - 9
D009 2600	Registration Roller - Drive	59 - 14
D009 2602	Gear - 18Z	59 - 16
D009 2603	Gear - 28Z	59 - 9
D009 2604	Knob - Registration Roller	59 - 17
D009 2606	Registration Roller - Driven	59 - 13
D009 2607	Bushing - Driven Registration	59 - 7
D009 2612	Case Supporter - Remove Paper Dust	59 - 11
D009 2614	Bracket - Registration Sensor	59 - 21
D009 2616	Paper Dust Case	15 - 18
D009 2617	Upper Guide Plate - Registration	59 - 3
D009 2618	Cover - Paper Dust Removal	59 - 6
D009 2622	Front Positioning Guide	59 - 22

Part No.	Description	Page and Index No.
D009 2623	Rear Positioning Guide	59 - 18
D009 2624	Lower Guide Plate - Registration	59 - 12
D009 2626	Harness - Registration Sensor	59 - 19
D009 2627	Decal - Misfeed Removal B1	13 - 23
D009 2627	Decal - Misfeed Removal B1	151 - 19
D009 2633	Cap - Toner Supply	65 - 9
D009 2636	Tension Spring	59 - 8
D009 2638	Stay - Paper Dust Removal	59 - 5
D009 2650	Torsion Spring - Registration	59 - 4
D009 2757	Transport Roller: Drive: Ass'y	53 - 10
D009 2836	Guide Plate	59 - 2
D009 2841	Guide Plate - No.2	59 - 1
D009 3053	Upper Case Seal	63 - 22
D009 3066	Entrance Seal - Toner Supply	63 - 16
D009 3068	Front Bias Terminal	63 - 11
D009 3069	Rear Bias Terminal	63 - 12
D009 3070	Upper Cover - Development Unit	63 - 23
D009 3072	Seal - Density Sensor Harness	63 - 21
D009 3078	Joint- Paddle	63 - 15
D009 3084	Development Filter: Front	63 - 39
D009 3085	Development Filter: Rear	63 - 40
D009 3086	Development Filter	63 - 25
D009 3100	Development Sleeve: Alex: Ass'y	63 - 27
D009 3101	Seal: Development	63 - 36
D009 3102	Upper Cap - Development Case	63 - 34
D009 3104	Seal: Level	65 - 48
D009 3106	Sponge	63 - 37
D009 3107	Seal: Shielding Plate	59 - 31
D009 3108	Seal: Guide Plate	59 - 32
D009 3124	Joint: Development Sleeve	63 - 41
D009 3152	Entrance Seal Ass'y	63 - 30
D009 3162	Ground Plate: Doctor Blade	63 - 26
D009 3178	Seal: Slide	63 - 38
D009 3203	Rear Seal - Upper Cover	63 - 33
D009 3204	Front Seal - Upper Cover	63 - 24

Part No.	Description	Page and Index No.
D009 3205	Seal: Side Plate: Front	63 - 17
D009 3206	Seal: Side Plate: Rear	63 - 20
D009 3209	Toner Supply Unit	61 - 1
D009 3210	Guide - Toner Supply	99 - 4
D009 3264	Cam: Handle	61 - 14
D009 3265	Shaft - Slide	61 - 11
D009 3267	Seal: Toner Supply: Entrance: Front	65 - 8
D009 3268	Decal - Lock Toner Bottle	151 - 20
D009 3268	Decal - Lock Toner Bottle	13 - 5
D009 3269	Decal - Release Toner Bottle	13 - 6
D009 3269	Decal - Release Toner Bottle	151 - 22
D009 3803	Case - Transfer Unit	69 - 16
D009 3804	Transfer Unit	67 - *
D009 3831	Receptacle Housing - Transfer	93 - 33
D009 3832	Receptacle Terminal - Transfer	93 - 34
D009 3856	Guide: Standard: Transfer Unit: Rear	99 - 20
D009 3857	Guide: Standard: Transfer Unit: Front	99 - 21
D009 3858	Entrance Guide Plate - Transfer	59 - 30
D009 3860	Spring Cover - Transfer Unit	83 - 16
D009 3861	Terminal Holder - Transfer Unit	83 - 19
D009 3865	Holder - Density Sensor	99 - 9
D009 3866	Guide - Separation/Transport	99 - 14
D009 3872	Harness - Used Toner Sensor	69 - 15
D009 3875	Harness - Transfer Unit Bias	69 - 21
D009 3876	Earth Harness - Transfer Unit	69 - 19
D009 3883	Frame - Transfer Belt	67 - 16
D009 3884	Sensor Harness	83 - 20
D009 3890	Front Bushing - Bias Roller	67 - 8
D009 3893	Arm - Transfer Belt	67 - 17
D009 3894	Drive Roller - Transfer Belt	67 - 10
D009 3899	Set Lever - Transfer Unit	69 - 12
D009 3906	Seal - Rear Transfer Exit	69 - 25
D009 3907	Seal - Transfer Belt Exit	69 - 22
D009 3916	Front Lever - Transfer Belt	69 - 8
D009 3917	Rear Lever - Transfer Belt	69 - 10

Part No.	Description	Page and Index No.
D009 3918	Release Lever	69 - 13
D009 3919	Release Lever Shaft	69 - 4
D009 3920	Front Release Plate	69 - 6
D009 3921	Rear Release Plate	69 - 7
D009 3934	Bias Terminal - Transfer Belt	67 - 6
D009 3935	Earth Terminal - Transfer Belt	67 - 4
D009 3937	Terminal - Transfer Belt	67 - 5
D009 3943	Bracket: Cleaning Blade: Transfer Belt	69 - 2
D009 3948	Scraper - Drive Roller	67 - 12
D009 3952	Rear Seal - Cleaning Blade	69 - 24
D009 3953	Front Seal - Cleaning Blade	69 - 23
D009 3954	Sheet: Prevent fence: Transfer Belt	67 - 11
D009 3992	Receptacle Housing - Transfer Unit	69 - 17
D009 4053	Fusing Cover - Lower Middle	71 - 22
D009 4055	Fusing Cover - Lower Front	71 - 6
D009 4057	Fusing Cover - Lower Rear	71 - 9
D009 4059	Fusing Cover - Upper Front	71 - 5
D009 4062	Fusing Cover - Upper Rear	71 - 8
D009 4066	Fusing Cover - Duplex Guide	71 - 18
D009 4069	Entrance Guide Plate - Fusing	71 - 20
D009 4097	Harness - Set Sensor NA	73 - 27
D009 4098	Set Sensor Harness - 230V	73 - 27
D009 4099	Harness - Fusing Unit	73 - 26
D009 4123	Bracket: Side Plate: Auxiliary	73 - 35
D009 4124	Connector Bracket 1	73 - 33
D009 4125	Connector Bracket 2	73 - 28
D009 4126	Front Heater Bracket	73 - 1
D009 4127	Rear Heater Bracket	73 - 36
D009 4131	Terminal - AC/DC	73 - 30
D009 4132	Terminal Cover	73 - 29
D009 4135	Terminal - AC	73 - 14
D009 4141	Electrode Plate 1	73 - 32
D009 4142	Electrode Plate 2	73 - 31
D009 4143	Electrode Plate 3	73 - 13
D009 4152	Stay: Fusing Sub-unit: Fusing Exit: Peen	73 - 15

Part No.	Description	Page and Index No.
D009 4156	Retaining Rings-C - Hot Roller	73 - 2
D009 4163	Exit Guide - Hot Roller Unit	73 - 44
D009 4165	Fusing Unit Cover	73 - 18
D009 4177	Thermistor	73 - 25
D009 4178	Thermistor Bracket	73 - 24
D009 4193	Housing - Thermostat	73 - 20
D009 4195	Spacer - Thermostat	73 - 22
D009 4196	Harness 1 - Thermostat	73 - 12
D009 4197	Harness 2 - Thermostat	73 - 19
D009 4225	Stay - Pressure Roller Unit	71 - 14
D009 4238	Bracket - Driven Roller	71 - 13
D009 4242	Decal: High Temperature	71 - 23
D009 4242	Decal: High Temperature	151 - 25
D009 4243	Exit Guide - Pressure Roller Unit	71 - 2
D009 4244	Knob	71 - 1
D009 4248	Knob Bracket	71 - 3
D009 4271	Front Lever - Pressure Release	73 - 6
D009 4274	Pressure Lock Lever	73 - 9
D009 4275	Front Pressure Lever	73 - 11
D009 4291	Rear Lever - Pressure Release	73 - 37
D009 4295	Front Pressure Lever	73 - 38
D009 4305	Cleaning Web Ass'y	75 - *
D009 4307	Cleaning Unit Cover - Fusing	75 - 2
D009 4350	Front Lock Lever	99 - 15
D009 4351	Rear Lock Lever	99 - 8
D009 4355	Roller Clutch	75 - 8
D009 4356	Washer: DIA3.5	99 - 22
D009 4369	Bracket - Cleaning Unit Drive	75 - 3
D009 4377	Worm Gear Bracket	75 - 14
D009 4378	Worm Gear Shaft	75 - 12
D009 4388	Roller Clutch	75 - 21
D009 4393	Feeler - Web	75 - 10
D009 4406	Separation Plate - Paper Exit	89 - 11
D009 4407	Feeler - Overflow	87 - 17
D009 4408	Bracket - Fusing Exit Sensor	87 - 12

Part No.	Description	Page and Index No.
D009 4409	Sheet - Gate	79 - 7
D009 4412	Lower Guide Plate - Exit	89 - 12
D009 4413	Lower Stay - Exit	89 - 19
D009 4418	Stepped Tapping Screw - M3	87 - 11
D009 4419	Spring - Lower Guide Plate	89 - 17
D009 4422	Driven Roller Shaft	89 - 15
D009 4428	Upper Stay	89 - 2
D009 4430	DC Solenoid - Exit	87 - 1
D009 4431	Rear Side Plate	89 - 30
D009 4434	Front Side Plate	89 - 10
D009 4436	Entrance Gate	87 - 7
D009 4438	Lever - Entrance Gate	87 - 3
D009 4439	Bushing - 4mm	87 - 4
D009 4441	Exit Guide Plate - Upper Right	87 - 10
D009 4442	Exit Guide Plate - Upper	89 - 7
D009 4443	Discharge Brush - Exit	89 - 5
D009 4444	Exit Roller	89 - 1
D009 4445	Transport Roller	87 - 9
D009 4445	Transport Roller	89 - 3
D009 4447	Exit Sensor Bracket	87 - 15
D009 4448	Tension Spring - Gate Pawl	87 - 25
D009 4455	Cushion - DC Solenoid	87 - 5
D009 4457	Tension Spring Release	87 - 2
D009 4461	Gear - 17Z	87 - 20
D009 4462	Gear - 22Z	89 - 33
D009 4463	Gear/Pulley - 22Z/22T	89 - 34
D009 4464	Gear - 22Z	87 - 14
D009 4465	Timing Pulley - 22T	89 - 32
D009 4466	Timing Belt - 30S2M172	89 - 31
D009 4469	Gear - 17Z	87 - 21
D009 4471	Stepper Motor Bracket	87 - 22
D009 4476	Spring - Entrance Pressure	89 - 23
D009 4477	Spring - Exit Pressure	89 - 20
D009 4478	Lower Supporting Plate	89 - 29
D009 4481	Grip - Upper Gate	79 - 2

Part No.	Description	Page and Index No.
D009 4482	Right Guide Plate - Open/Close	79 - 11
D009 4483	Upper Gate	79 - 1
D009 4485	Bushing - Gate	79 - 4
D009 4486	Lever - Upper Gate	79 - 6
D009 4488	Right Spring - Guide Plate	79 - 10
D009 4489	Driven Roller	79 - 3
D009 4490	Exit Motor Cover	87 - 23
D009 4491	Entrance Arm	89 - 22
D009 4492	Exit Arm	89 - 25
D009 4493	Bracket - Contact Point	89 - 27
D009 4496	Spring Plate - Exit Roller	89 - 28
D009 4497	Decal - Right Guide	151 - 21
D009 4497	Decal - Right Guide	81 - 25
D009 4498	Bushing - Lower Guide Plate	89 - 18
D009 4499	Harness - Paper Exit Unit	87 - 16
D009 4503	Guide Plate - Left Upper	79 - 14
D009 4504	Upper Guide Plate - Gate	81 - 2
D009 4511	Spacer: DIA8.0: 1.5mm	109 - 20
D009 4512	Link: Stopper	109 - 11
D009 4513	Compression Spring: Earth: Duplex Unit	109 - 19
D009 4521	Harness Bracket	81 - 24
D009 4522	Tension Spring - Duplex Gate	79 - 13
D009 4532	Tension Spring - Stopper Hook	77 - 5
D009 4533	Rear Inner Cover - Duplex	77 - 2
D009 4534	Front Inner Cover - Duplex	77 - 1
D009 4535	Harness Guide	85 - 16
D009 4537	Front Release Arm	77 - 6
D009 4538	Rear Release Arm	77 - 7
D009 4540	Cover - Duplex Unit	77 - 13
D009 4541	Front Torsion Spring	83 - 21
D009 4543	Tension Spring - Duplex Gate	79 - 5
D009 4545	Holder Shaft - Transfer Unit	83 - 23
D009 4547	Stepper Motor - DC 5.79W	87 - 24
D009 4551	Guide Plate - Holder	83 - 18
D009 4577	Duplex Gate	79 - 12

Part No.	Description	Page and Index No.
D009 4587	Tension Spring - Release Bracket	85 - 27
D009 4588	Stopper Bracket - Spring	85 - 24
D009 4589	Guide - Set Shaft	85 - 23
D009 4590	Stopper Hook - Duplex Unit	77 - 4
D009 4593	Stepped Screw - M3	85 - 26
D009 4594	Front Guide - Duplex Unit Set	109 - 9
D009 4595	Rear Guide - Duplex Unit Set	109 - 8
D009 4597	Bracket - Wire Pulley Shaft	85 - 19
D009 4598	Spring - Set Shaft	85 - 22
D009 4599	Shaft - Duplex Unit	85 - 21
D009 4651	Harness - Duplex Unit	85 - 17
D009 4652	Motor Harness	81 - 26
D009 4661	Reverse Roller - Feed	81 - 10
D009 4662	Transport Roller 1	83 - 1
D009 4663	Transport Roller 2	83 - 2
D009 4664	Driven Roller	83 - 15
D009 4664	Driven Roller	77 - 8
D009 4664	Driven Roller	71 - 12
D009 4664	Driven Roller	81 - 6
D009 5146	BICU - MS - 50CPM	105 - 6
D009 5146	BICU - MS - 50CPM	139 - *
D009 5147	BICU - MS - 40CPM	139 - *
D009 5147	BICU - MS - 40CPM	105 - 6
D009 5155	IO Board	105 - 14
D009 5155	IO Board	145 - *
D009 5182	Mother Board	107 - 2
D009 5325	SYNC Detector Board	49 - 7
D009 5370	Scanner I/O Board - BW	47 - 12
D009 5380	Connector Board	45 - 13
D009 5420	Harness - High Voltage Cable	93 - 1
D009 5425	Harness - Safety Switch	105 - 19
D009 5431	DC Harness-DC Power Supply-IOB	105 - 18
D009 5435	Harness - PSU-SIO	105 - 20
D009 5440	Harness - Development Drawer	95 - 14
D009 5461	DC Harness - BICU-IOB	105 - 7

Part No.	Description	Page and Index No.
D009 5465	Harness - BICU-SIO	105 - 3
D009 5470	Harness - BICU-IDB	105 - 4
D009 5475	Interface Harness - BICU-LDB	109 - 2
D009 5480	Harness - IOB Upper	107 - 15
D009 5480	Harness - IOB Upper	105 - 9
D009 5481	Interface Harness - IOB-Switch	99 - 6
D009 5486	DC Harness-IOB Lower	105 - 11
D009 5490	Harness - IOB Lower Behind	105 - 13
D009 5495	Harness - IOB-Lift Motor	105 - 10
D009 5500	Interface Harness - Web Sensor	91 - 15
D009 5505	Harness - Toner Supply Motor	99 - 1
D009 5510	Harness - Quenching Lamp	99 - 18
D009 5515	Harness - Operation Panel	15 - 19
D009 5521	DC Harness - IOB-Motor	105 - 12
D009 5540	Interface Cable - Scanner BW	45 - 14
D009 5540	Interface Cable - Scanner BW	105 - 1
D009 5555	Harness - Scanner Unit BW	47 - 11
D009 5560	Harness - Stabilizer BW	47 - 32
D009 5570	Harness - Imaging Unit	49 - 6
D009 5571	Harness: Laser Diode Control	49 - 9
D009 5602	Harness: AC: Inlet	105 - 16
D009 5605	AC Harness - Switch	105 - 22
D009 5610	AC Harness - Heater	105 - 23
D009 5611	Harness: AC: Heater	61 - 16
D009 5615	AC Harness - Heater	103 - 9
D009 5620	AC Harness - Fusing	91 - 9
D009 5840	Base - Left Safety Switch	101 - 18
D009 5842	Grounding Plate - BICU	105 - 25
D009 5844	Fixing Plate - Controller Board	107 - 9
D009 5851	Bracket - IO Board	105 - 15
D009 5851	Bracket - IO Board	95 - 9
D009 5852	Connector Bracket	103 - 4
D009 5853	Bracket - Main Switch	105 - 24
D009 5854	Bracket - Power Pack	93 - 3
D009 5855	Bracket - Inlet	105 - 17

Part No.	Description	Page and Index No.
D009 5856	Bracket - Heater Connector	103 - 10
D009 5857	Shaft - Safety Switch	101 - 12
D009 5858	Left/Right Lever - Safety Switch	101 - 15
D009 5863	Left Lever - Safety Switch	101 - 16
D009 5864	Middle Lever - Safety Switch	101 - 13
D009 5865	Cam - Safety Switch	101 - 14
D009 5866	Base - Right Safety Switch	101 - 7
D009 5867	Guide Plate - Safety Switch	101 - 9
D009 5868	Right Lever - Safety Switch	101 - 11
D009 5869	Right Lower Lever - Safety Switch	101 - 8
D009 5870	Upper grip - Controller Box	107 - 10
D009 5872	Large Cover - Fax Control Unit	107 - 7
D009 5874	Grip - C/T Box	107 - 8
D009 5875	Bracket - BICU	105 - 8
D009 5876	Small Bracket - BICU	103 - 6
D009 5877	Guide - Mother Board	105 - 5
D009 5879	Bracket - Mother Board	107 - 1
D009 5880	Bracket - Control Board	107 - 4
D009 5881	Guide - Fax Control Unit	107 - 3
D009 5886	Ground Plate- C/T Box	107 - 28
D009 5891	Left Rail - Fax Control Unit	107 - 21
D009 5892	Heater Stopper	61 - 13
D009 5895	Tension Spring: Safety Switch: Left	101 - 17
D009 5896	Spring - Right Safety Switch	101 - 10
D009 5898	Harness Guide - Safety Switch	101 - 6
D009 5899	Right Rail - Small	107 - 20
D009 6192	Sheet: EMBLEM: RIC	13 - 12
D009 6193	Sheet: EMBLEM: SVN	13 - 12
D009 6194	Sheet: EMBLEM: GES: NA	13 - 12
D009 6195	Sheet: EMBLEM: LAN: NA	13 - 12
D009 6292	Sheet: EMBLEM: RIC: 40SP	13 - 12
D009 6492	Sheet: EMBLEM: NSA	13 - 12
D009 6493	Sheet: EMBLEM: REX	13 - 12
D009 6494	Sheet: EMBLEM: GES: EU	13 - 12
D009 6495	Sheet: EMBLEM: LAN: EU	13 - 12

Part No.	Description	Page and Index No.
D009 6692	Sheet: EMBLEM: INF	13 - 12
D009 9510	OPC Drum	65 - 41
D009 9590	NVRAM	107 - 23
D011 1250	Decal: Main Switch: On-Off	13 - 9
D011 1250	Decal: Main Switch: On-Off	151 - 7
D011 1251	Decal: Main Switch: O-I	13 - 9
D011 1251	Decal: Main Switch: O-I	151 - 7
D011 1252	Decal: Main Switch: On-standby	151 - 26
D011 1252	Decal: Main Switch: On-standby	61 - 17
D011 1253	Decal: Main Switch: On-standby: EU	61 - 17
D011 1253	Decal: Main Switch: On-standby: EU	151 - 26
D011 4002	Fusing Unit - 120V	71 - *
D011 4003	Fusing Unit - 230V	71 - *
D011 5156	BICU - CS - 50CPM	105 - 6
D011 5156	BICU - CS - 50CPM	135 - *
D011 5157	BICU - CS - 40CPM	135 - *
D011 5157	BICU - CS - 40CPM	105 - 6
D011 5350	Scanner I/O Board - Color	47 - 12
D011 5530	Interface Cable - Scanner Color	105 - 1
D011 5530	Interface Cable - Scanner Color	45 - 5
D011 5550	Harness - Scanner Unit Color	47 - 11
D011 5841	Heater: PCD: NA: Sub-ass'y	61 - 15
D011 5842	Heater: PCD: EU: Sub-ass'y	61 - 15
D011 5884	Cover - SD-Card	107 - 6
D011 6192	Sheet: EMBLEM: RIC	13 - 12
D011 6193	Sheet: EMBLEM: SVN	13 - 12
D011 6194	Sheet: EMBLEM: GES: NA	13 - 12
D011 6195	Sheet: EMBLEM: LAN: NA	13 - 12
D011 6492	Sheet: EMBLEM: NSA	13 - 12
D011 6493	Sheet: EMBLEM: REX	13 - 12
D011 6494	Sheet: EMBLEM: GES: EU	13 - 12
D011 6495	Sheet: EMBLEM: LAN: EU	13 - 12
D011 6692	Sheet: EMBLEM: INF	13 - 12
D012 1241	Inner Cover - Upper Left	13 - 1
D012 1251	Front Cover	13 - 15

Part No.	Description	Page and Index No.
D012 1264	Front Right Cover	13 - 19
D012 1271	Right Cover - Front	13 - 22
D012 1281	Left Cover	13 - 3
D012 1282	Left Cover - Upper	15 - 2
D012 1291	Rear Cover	13 - 26
D012 1292	Rear Cover - Upper	13 - 25
D012 1293	Cap - Rear Cover EU	13 - 24
D012 5723	Controller Board - MS - 40CPM	107 - 19
D012 5723	Controller Board - MS - 40CPM	123 - *
D012 5731	Controller Board - MS - 50CPM	107 - 19
D012 5731	Controller Board - MS - 50CPM	123 - *
D012 6192	Sheet: EMBLEM: RIC	13 - 12
D012 6193	Sheet: EMBLEM: SVN	13 - 12
D012 6194	Sheet: EMBLEM: GES: NA	13 - 12
D012 6195	Sheet: EMBLEM: LAN: NA	13 - 12
D012 6292	Sheet: EMBLEM: RIC: 50SP	13 - 12
D012 6492	Sheet: EMBLEM: NSA	13 - 12
D012 6493	Sheet: EMBLEM: REX	13 - 12
D012 6494	Sheet: EMBLEM: GES: EU	13 - 12
D012 6495	Sheet: EMBLEM: LAN: EU	13 - 12
D012 6692	Sheet: EMBLEM: INF	13 - 12
D013 1271	Cover: Right: Front: NA	13 - 22
D013 1281	Cover: Left: NA	13 - 3
D013 5713	Controller Board - CS - 50CPM	123 - *
D013 5713	Controller Board - CS - 50CPM	107 - 19
D013 5723	Controller Board - CS - 40CPM	123 - *
D013 5723	Controller Board - CS - 40CPM	107 - 19
D013 6192	Sheet: EMBLEM: RIC	13 - 12
D013 6193	Sheet: EMBLEM: SVN	13 - 12
D013 6194	Sheet: EMBLEM: GES: NA	13 - 12
D013 6195	Sheet: EMBLEM: LAN: NA	13 - 12
D013 6492	Sheet: EMBLEM: NSA	13 - 12
D013 6493	Sheet: EMBLEM: REX	13 - 12
D013 6494	Sheet: EMBLEM: GES: EU	13 - 12
D013 6495	Sheet: EMBLEM: LAN: EU	13 - 12

Part No.	Description	Page and Index No.
D013 6692	Sheet: EMBLEM: AL-C1CCS: INF	13 - 12
D091 5146	PCB: BICU: 50 (D092)	105 - 6
D091 5146	PCB: BICU: 50 (D092)	135 - *
D091 5147	PCB: BICU: 40 (D091)	135 - *
D091 5147	PCB: BICU: 40 (D091)	105 - 6
D091 6192	Sheet: EMBLEM: 40: RIC (D091)	13 - 12
D091 6193	Sheet: EMBLEM: 40: SVN (D091)	13 - 12
D091 6194	Sheet: EMBLEM: 40: GES: NA (D091)	13 - 12
D091 6195	Sheet: EMBLEM: 40: LAN: NA (D091)	13 - 12
D091 6492	Sheet: EMBLEM: 40: NSA (D091)	13 - 12
D091 6493	Sheet: EMBLEM: 40: REX (D091)	13 - 12
D091 6494	Sheet: EMBLEM: 40: GES: EU (D091)	13 - 13
D091 6495	Sheet: EMBLEM: 40: LAN: EU (D091)	13 - 13
D091 6692	Sheet: EMBLEM: 40: INF (D091)	13 - 13
D092 1411	Operation Panel: NA (D091/D092)	17 - *
D092 1412	Operation Panel: EU (D091/D092)	17 - *
D092 1413	Operation Panel: AA (D091/D092)	17 - *
D092 1415	Operation Panel: TWN (D091/D092)	17 - *
D092 5714	PCB: CTL: 50 (D092)	107 - 19
D092 5714	PCB: CTL: 50 (D092)	123 - *
D092 5724	PCB: CTL: 40 (D091)	107 - 19
D092 5724	PCB: CTL: 40 (D091)	123 - *
D092 5910	SD-Card: VM: EXP: Ass'y	107 - 29
D092 6192	Sheet: EMBLEM: 50: RIC (D092)	13 - 13
D092 6193	Sheet: EMBLEM: 50: SVN (D092)	13 - 13
D092 6194	Sheet: EMBLEM: 50: GES: NA (D092)	13 - 13
D092 6195	Sheet: EMBLEM: 50: LAN: NA (D092)	13 - 13
D092 6492	Sheet: EMBLEM: 50: NSA (D092)	13 - 13
D092 6493	Sheet: EMBLEM: 50: REX (D092)	13 - 13
D092 6494	Sheet: EMBLEM: 50: GES: EU (D092)	13 - 13
D092 6495	Sheet: EMBLEM: 50: LAN: EU (D092)	13 - 13
D092 6692	Sheet: EMBLEM: 50: INF (D092)	13 - 13
A006 9104	Scanner Positioning Pin (4PCS/Set)	153 - 1
A096 2065	Slider Ring	99 - 5
A134 3180	Bottle Chuck	61 - 5

Part No.	Description	Page and Index No.
A193 1766	Wire Clamp	43 - 1
A193 1767	1st Mirror Holder	43 - 5
A193 1769	Clamp - Rear Wire	43 - 2
A193 1793	Scanner Home Sensor Stopper	41 - 13
A193 1816	1st Slide Rail	43 - 15
A230 9003	Adjustment Cam - Laser Unit	153 - 4
A230 9004	Positioning Pin - Laser Unit	153 - 5
A232 1284	Spring Holder	99 - 13
A232 1937	Positioning Pin - Laser Unit Ass'y	49 - 11
A232 2315	Front Bushing - Cleaning Bracket	65 - 22
A232 2318	Collar - Cleaning	65 - 33
A232 2339	Spur	65 - 45
A232 2340	Holder - Pick-Off Pawl	65 - 43
A232 2399	Seal - Blade 13x9.5x3	65 - 10
A232 2421	Bushing - 6x10x3	65 - 21
A232 2987	Roller - Paper Tray	51 - 16
A232 3067	Tape - TD Sensor	63 - 13
A232 3077	Spacer - M5	63 - 8
A232 3155	Front Cover - Development Unit	63 - 6
A232 3240	Cover - Toner Bottle Ass'y	61 - 4
A232 3251	Chuck Shaft	61 - 7
A232 3252	Slider Ass'y	61 - 6
A232 3263	Spring Plate - Toner Bottle	61 - 10
A232 3264	Stopper - Slide Rail	61 - 12
A232 3266	Seal - Slide Rail	61 - 3
A232 3553	Ball Bearing - 8x16x5	65 - 40
A232 3880	Transfer Belt	67 - 15
A232 3885	Driven Roller - Transfer Unit	67 - 1
A232 3908	Seal - Rear Case	69 - 29
A232 3909	Seal - Front Case	69 - 28
A232 3926	Transfer Belt Roller	67 - 9
A232 4666	Cushion - Stepper Motor	95 - 2
A250 1752	Exposure Glass	41 - 7
A257 9300	Grease Barrierta - S552R	153 - 8
A259 6754	Bushing - 6 6mm	57 - 35

Part No.	Description	Page and Index No.
A267 2857	Spring Plate - Side Fence	51 - 28
A267 2859	Side Fence Stopper	51 - 29
A267 2860	Rear Lever Stopper	51 - 27
A292 9500	Test Chart - S5S (10PCS/Set)	153 - 2
A422 1063	Seal - 0.7x13x20	25 - 18
A422 1063	Seal - 0.7x13x20	27 - 16
A422 1063	Seal - 0.7x13x20	31 - 16
A458 2251	Cushion - Bin Solenoid Lever	25 - 22
A628 1225	Bushing - 8mm	23 - 21
A697 2102	Damper - Junction Gate Solenoid	29 - 13
A806 1295	Feed Belt	23 - 23
A858 4671	Roller Driven	19 - 19
A858 4676	Spring Plate - Pressure Roller	19 - 18
A859 1841	Filter - DF Open Sensor	39 - 10
A859 2112	Drive Shaft - Paper Feed Belt	23 - 13
A859 2241	Reverse Roller	25 - 11
A859 7211	Stepped Screw	19 - 2
B004 1325	Cover - Shield Glass	13 - 7
B004 1936	Plate - Optical Housing Unit	93 - 32
B004 2310	Spur	99 - 12
B004 2783	Torque Limiter	53 - 28
B004 2923	Spring Plate - Release Lever	51 - 20
B004 7667	Holder: Toner Bottle: EU	99 - 3
B024 1264	Magnet Catch	13 - 17
B044 1825	Collar	97 - 20
B044 1825	Collar	81 - 22
B044 1825	Collar	33 - 4
B044 1847	Shoulder Screw	81 - 13
B051 1727	Frame: Scanner: Front	41 - 8
B051 1814	Bracket: Original Sensor	45 - 1
B065 1371	Cloth Holder	13 - 29
B065 1374	Cloth - DF Exposure Glass	13 - 30
B065 4221	Feeler Spring	75 - 11
B065 4247	Brake Pad	75 - 4
B077 3262	Slide Rail: Toner Supply Unit	61 - 2

Part No.	Description	Page and Index No.
B082 2333	Terminal: Brush Roller	65 - 32
B082 2781	Bracket: Sensor	53 - 6
B082 3121	Shield: Development Sleeve: Front: C3	63 - 29
B082 3122	Shield: Development Sleeve: Rear: C3	63 - 28
B082 3123	Shield: Case: Development: Front Rear: C3	63 - 19
B082 3867	Shield: Remove Paper Dust	69 - 26
B101 1097	Rubber Foot: H5	109 - 7
B129 5008	Cap - LAN Connector	107 - 27
B132 1573	Decal - Power Source: Off	13 - 14
B132 1573	Decal - Power Source: Off	151 - 1
B132 1692	Scale: Rear: Printing	41 - 11
B138 5801	Gasket: Inner Cover	45 - 19
B154 5861	Guard: Fan	107 - 24
B154 5865	Cap: Connector: USB	107 - 26
B154 5869	Panel: Interface: SECC	107 - 5
B154 5879	Plate: Cable	105 - 2
B154 5879	Plate: Cable	45 - 6
B180 1701	Inner Cover	45 - 7
B180 1704	Bracket: Tension	43 - 20
B180 1713	Stepper Motor: Ass'y	47 - 16
B180 1734	Slide Rail: No.2	43 - 16
B180 1803	Guide: High Voltage Supply Cord: Base	47 - 18
B180 1810	Pulley: Drive Wire: Front: Sub-Ass'y	47 - 1
B180 1812	Pulley: Drive Wire: Rear: Sub-Ass'y	47 - 6
B180 1814	Shaft: Scanner: Drive	47 - 3
B180 2782	Seal: Tray	51 - 31
B180 2871	Shaft: Separator: Driven: Ass'y	57 - 41
B213 2312	Bracket: Cleaning Blade	65 - 23
B213 2316	Stud: Contact Point: Cleaning	65 - 16
B213 2362	LED Array QL Ass'y	99 - 17
B213 3065	Density Sensor: Development: C4	63 - 14
B213 3889	Roller: Bias	67 - 2
B213 4460	Shaft: Pressure Roller	89 - 21
B213 5544	Harness: FFC: SBU: 50Wick: 80mm	45 - 15
B222 1262	Cover: Inner Back: Upper: EU	15 - 6

Part No.	Description	Page and Index No.
B222 1595	Cover: Scanner: Front: EU	17 - 35
B222 1818	Cover: Scanner: Left: EU	15 - 1
B222 1819	Cover: Scanner: Right: EU	15 - 11
B222 1820	Cover: Scanner: Rear: EU	15 - 12
B223 1065	Connector Bracket	103 - 8
B223 1101	Grip: Front	109 - 14
B223 1102	Bracket: Grip: Right Front	109 - 15
B223 1116	Cam: Guide Plate: Scanner: Left	41 - 19
B223 1120	Bracket: Paper Feed Unit	109 - 12
B223 1180	Bracket: Paper Feed	97 - 10
B223 1183	Grip Shaft	97 - 2
B223 1186	Drive Joint	97 - 3
B223 1187	Magnetic Clutch Bracket	97 - 12
B223 1188	Stepper Motor DC24V	97 - 16
B223 1189	Feed Drive Shaft	97 - 1
B223 1245	Cap: Grip	109 - 13
B223 1246	Guide Plate: Scanner	13 - 16
B223 1248	Operating Instructions Holder	13 - 27
B223 1253	EMBLEM Cover	13 - 11
B223 1255	Cover - Main Switch	13 - 8
B223 1261	Cover: Inner Back	15 - 8
B223 1266	Cover: Paper Exit Unit: Upper	15 - 9
B223 1273	Cover: Right: Upper Middle	15 - 10
B223 1317	Screw	71 - 7
B223 1332	Fan Motor - MM60 DC24V	101 - 5
B223 1350	Stepper Motor DC5.06V	95 - 1
B223 1354	Drum Stay: Drive Unit	97 - 4
B223 1497	PCB: APC1: OP-L: Sub-ass'y	17 - 4
B223 1518	Keytop - Blank FB	17 - 3
B223 1520	Keytop - Clear/Stop	17 - 20
B223 1521	Keytop: 10Key	17 - 21
B223 1528	Keytop - Copy NA	17 - 34
B223 1529	Keytop - DOC NA	17 - 33
B223 1531	Keytop: Printer: NA	17 - 36
B223 1532	Keytop: Scanner: NA	17 - 32

Part No.	Description	Page and Index No.
B223 1533	Keytop: Function: NA (D091/D092)	17 - 39
B223 1534	Keytop: Copy: EU	17 - 34
B223 1535	Keytop: DOC: EU	17 - 33
B223 1537	Keytop: Printer: EU	17 - 36
B223 1538	Keytop: Scanner: EU	17 - 32
B223 1539	Keytop: Function: EU (D091/D092)	17 - 39
B223 1540	Keytop: 10Key: NA	17 - 21
B223 1541	Keytop - 10Key AA	17 - 21
B223 1595	Cover: Scanner: Front	17 - 35
B223 1596	Cover: Front Right: Upper	17 - 37
B223 1721	Carriage: No.2	43 - 7
B223 1754	Mirror: No.2: Concave	43 - 9
B223 1755	Mirror: No.2: Convex	43 - 10
B223 1771	Lens Unit	45 - 4
B223 1773	Scale: Machine Or Copier	41 - 3
B223 1774	Seal: Sheet Through	41 - 5
B223 1777	Scale: Left	41 - 6
B223 1779	Cover: Stepper Motor: Rear	47 - 13
B223 1782	Drive Wire	43 - 19
B223 1786	Holder: Connector	47 - 29
B223 1787	Scale: Left: NA	41 - 6
B223 1788	Frame: Scanner: Rear	41 - 9
B223 1790	Ground Plate: Stay: Lens	45 - 8
B223 1791	Gasket: RFSG-030100: 75	45 - 9
B223 1807	Bracket: Exterior: Rear	47 - 14
B223 1808	Document Feeder: Connector: Bracket	41 - 17
B223 1818	Cover: Scanner: Left	15 - 1
B223 1819	Cover: Scanner: Right	15 - 11
B223 1820	Cover: Scanner: Rear	15 - 12
B223 1824	Seal: Scanner: Frame: Base	47 - 5
B223 1825	Duct: Scanner	47 - 21
B223 1826	Sheet: Fan: Duct: Scanner	47 - 22
B223 1827	Seal: Duct: Front: Scanner	47 - 24
B223 1828	Seal: Duct: Rear: Scanner	47 - 25
B223 1833	Seal: Exposure Glass: Rear	41 - 20

Part No.	Description	Page and Index No.
B223 1840	Xenon Lamp - CS model	43 - 3
B223 2606	Ground Plate: Rear	57 - 29
B223 2607	Ground Plate: Reverse	57 - 25
B223 2608	Gear: Z16	57 - 37
B223 2609	Guide Plate: Separator	57 - 26
B223 2620	Housing: Manual Feed	57 - 50
B223 2621	Cover: Manual Feed Unit	57 - 4
B223 2622	Guide Plate: Exit	57 - 3
B223 2623	Cover: Guide Plate: Exit	57 - 1
B223 2629	Stay: Feed	57 - 9
B223 2632	DC Solenoid: Pickup	57 - 14
B223 2633	Spring: Release: Pickup	57 - 15
B223 2634	Support Stay: Arm	57 - 19
B223 2636	Torsion Spring: 27N	57 - 20
B223 2637	Bracket: Arm: Manual Feed: Rear	57 - 32
B223 2644	Decal: Scale	151 - 2
B223 2644	Decal: Scale	55 - 8
B223 2645	Decal: Side Fence	151 - 3
B223 2645	Decal: Side Fence	55 - 5
B223 2648	Guide Plate: Transport Unit: Exit	85 - 13
B223 2649	Spring: Pressure: 5N	85 - 15
B223 2651	Arm: Manual Feed: Front	57 - 22
B223 2652	Arm: Manual Feed: Rear	57 - 33
B223 2657	Arm: Manual Feed: Short: Front	57 - 24
B223 2658	Arm: Manual Feed: Short: Rear	57 - 34
B223 2659	Harness: Manual Feed	57 - 16
B223 2661	Cover: Manual Feed	55 - 7
B223 2662	Manual Feed Table	55 - 14
B223 2663	Extension Tray	55 - 13
B223 2664	Cover: Manual Feed: Entrance	77 - 15
B223 2665	Spring: Cover: Manual Feed	77 - 14
B223 2666	Gear: 16Z	55 - 12
B223 2668	Spring Plate: Stopper	55 - 4
B223 2669	Harness: Paper Size Sensor	55 - 9
B223 2673	Side Fence: Rear	55 - 2

Part No.	Description	Page and Index No.
B223 2674	Side Fence: Front	55 - 1
B223 2676	Spring - 11N	85 - 4
B223 2681	Arm: Tightener	57 - 44
B223 2683	Gear: 25Z	57 - 47
B223 2686	Gear: Z31	57 - 46
B223 2689	Gear: Z28	57 - 48
B223 2691	Bracket: Stepper Motor	97 - 21
B223 2694	Guide: Gear	97 - 19
B223 2696	Drum Stay: Drive	57 - 49
B223 2700	Manual Feed Table: EXP: Ass'y	55 - *
B223 2702	Heat Sink: Heater: NA	109 - 17
B223 2703	Heat Sink: Heater: EU	109 - 17
B223 2710	Supporter - Left No.2	109 - 1
B223 2713	Rack: Manual Feed	55 - 11
B223 2714	Positioning Cap - Short	109 - 4
B223 2715	Supporter - Right	109 - 3
B223 2721	Bracket: Push Switch	95 - 10
B223 2726	Grip: Side Fence: Manual Feed	55 - 3
B223 2729	Decal: Paper Set Direction: Manual Feed: EXP	151 - 4
B223 2729	Decal: Paper Set Direction: Manual Feed: EXP	55 - 6
B223 2745	Stepper Motor: Ass'y	97 - 22
B223 2761	Pickup Arm	53 - 22
B223 2762	Feed Shaft	53 - 26
B223 2764	Gear-24Z	53 - 25
B223 2765	Ground Plate - Feed	53 - 21
B223 2767	Paper End Feeler	53 - 1
B223 2772	Harness Sheet	53 - 12
B223 2776	Stay	53 - 9
B223 2778	Sensor Bracket	53 - 4
B223 2780	DC Solenoid 24V	53 - 8
B223 2786	Ground Plate - Front	53 - 13
B223 2810	Separate Driven Shaft	53 - 29
B223 2815	Separate Drive Shaft	53 - 34
B223 2819	Gear - 22Z	53 - 35
B223 2829	Feed Guide	53 - 17

Part No.	Description	Page and Index No.
B223 2860	Paper Tray Grip	51 - 8
B223 2861	Grip Holder	51 - 13
B223 2862	Lever - Release Inner	51 - 10
B223 2865	Rise No.1 Shaft	51 - 24
B223 2868	Lever: Release: Paper Tray: Outer	51 - 15
B223 2873	Decal - Side Fence Rear	51 - 30
B223 2873	Decal - Side Fence Rear	151 - 5
B223 2901	Paper Tray: No.2: Ass'y	51 - *
B223 2910	Link - Paper Size Sensor	51 - 1
B223 2911	Spacer	51 - 2
B223 2912	End Fence	51 - 17
B223 2918	Rise Lever	51 - 25
B223 2919	Ground Plate - Paper Tray No.2	51 - 6
B223 2920	Front Side Fence	51 - 18
B223 2923	Stopper Lever - Front	51 - 19
B223 2930	Rear Side Fence	51 - 26
B223 2934	Plate - Side Fence	51 - 22
B223 2935	Plate - Side Fence Right	51 - 21
B223 2936	Gear - 16Z	51 - 23
B223 2940	Tray Bottom Plate	51 - 4
B223 2946	Cover - Paper Tray No.2	51 - 7
B223 4428	Roller: Guide: PFA	89 - 14
B223 4435	Roller: Auxiliary: Driven: DIA16: PFA	89 - 16
B223 4479	Tension Spring: Gate Pawl: 1.6N	79 - 9
B223 4486	Exit Tray	15 - 4
B223 4487	Exit End Fence	15 - 3
B223 4494	Stopper - Upper gate Pawl	79 - 8
B223 4497	Shaft: Feeler: Overflow	87 - 18
B223 4501	Guide Plate: Right	81 - 23
B223 4502	Guide Plate: Left Lower	83 - 12
B223 4511	Timing Belt: 30S2M312	83 - 5
B223 4512	Timing Belt: 30S2M182	83 - 3
B223 4514	Roller Clutch: T24	83 - 11
B223 4522	Spacer: Wire: Stopper	85 - 28
B223 4524	Wire: Stopper: DIA1.5	85 - 12

Part No.	Description	Page and Index No.
B223 4524	Wire: Stopper: DIA1.5	109 - 6
B223 4525	Tension Spring: Wire: 180N	77 - 17
B223 4526	Timing Belt: 30S2M268	81 - 15
B223 4527	Pulley: T26/T24	83 - 8
B223 4529	Roller Clutch: T24	83 - 6
B223 4531	Guide Plate: Cover	77 - 12
B223 4535	Roller Clutch: T26	83 - 9
B223 4536	Timing Belt: 30S2M234	83 - 4
B223 4538	Compression Spring	77 - 10
B223 4539	Sheet: Cover: Duplex	77 - 16
B223 4544	Pulley: T35/T33	83 - 7
B223 4552	Bushing: DIA4	83 - 14
B223 4552	Bushing: DIA4	81 - 8
B223 4553	Tension Spring: Driven Roller	83 - 13
B223 4560	Tension Spring: Driven Roller	81 - 7
B223 4562	Tightener	81 - 12
B223 4564	Spring: Tightener	81 - 14
B223 4566	Bracket: Sensor: Entrance	81 - 4
B223 4567	Stay: Transport: Upper: Peen	81 - 27
B223 4571	Gear: Pulley: Z24/T40	81 - 20
B223 4572	Stepper Motor: DC4.29V 1.7W	81 - 17
B223 4573	Timing Belt: 30S2M128	81 - 21
B223 4575	Bracket: Stepper Motor	81 - 19
B223 4579	Grip: Open And Close: Duplex Unit	77 - 3
B223 4586	Pulley: T30	81 - 16
B223 4594	Shaft: Pulley: Wire	85 - 20
B223 4595	Pulley: DIA13	85 - 18
B223 5223	Harness: SIO: Machine Or Copier	47 - 10
B223 5846	Bracket: Total Counter	97 - 26
B223 5848	Bracket: Base: Connector	103 - 12
B223 6172	Retaining Rings-E	69 - 5
B224 1263	Cover: Inner Back: Middle: EU	15 - 7
B229 1687	Heater: Option: 120V: 9W	47 - 26
B229 1688	Heater: Option: 230V: 9W	47 - 26
B234 3177	Decal: Positioning Display: Development	83 - 26

Part No.	Description	Page and Index No.
B234 3177	Decal: Positioning Display: Development	69 - 30
B237 1355	Decal - Main Switch EU OP	151 - 6
B237 1355	Decal - Main Switch EU OP	109 - 18
B237 1372	Decal - Main Switch On-Standby	109 - 18
B237 1372	Decal - Main Switch On-Standby	151 - 6
B237 1380	Cover - Right Base EU	13 - 20
B238 1066	Rubber Foot Cover	95 - 13
B238 1088	Cover - Connector	103 - 7
B238 1089	Cover - Positioning Pin	95 - 6
B238 1119	Lever - Front Upper	99 - 16
B238 1372	Decal - Main Switch(On-Off)	13 - 9
B238 1372	Decal - Main Switch(On-Off)	151 - 7
B238 1504	Keytop - Start	17 - 23
B238 1506	Keytop - Try Print	17 - 24
B238 1509	Keytop - Interrupt	17 - 25
B238 1511	Keytop - Counter	17 - 2
B238 1519	Lens - Front	17 - 13
B238 1527	Operation Panel Bracket	17 - 7
B238 1534	LCD Spacer A	17 - 16
B238 1535	LCD Spacer B	17 - 17
B238 1540	Sheet: Data: Display: NA	17 - 8
B238 1547	Spacer - Keytop	17 - 1
B238 1548	Operation Panel Bracket - Right	17 - 12
B238 1549	Keytop - Power Source	17 - 28
B238 1550	Keytop - Login	17 - 27
B238 1552	Keytop - Kantan	17 - 26
B238 1583	Keytop - Clear Modes	17 - 22
B238 1792	Timing Belt - 157ST1.5-4.0	47 - 15
B238 1806	Idler Pulley	43 - 17
B238 1807	Pulley	43 - 11
B238 1845	Seal: Exposure Glass	41 - 21
B238 2523	Decal - Paper Set Direction No.2	51 - 3
B238 2523	Decal - Paper Set Direction No.2	151 - 8
B238 2524	Decal - Paper Size	13 - 32
B238 2524	Decal - Paper Size	151 - 24

Part No.	Description	Page and Index No.
B238 2526	Decal - Grip	151 - 9
B238 2526	Decal - Grip	51 - 9
B238 2527	Decal - Grip	51 - 9
B238 2527	Decal - Grip	151 - 10
B238 2541	Tray Cover - Right	95 - 7
B238 2543	Cover - Tray Left	95 - 12
B238 2655	Gear - 16Z	59 - 15
B238 4166	End Ring: Spring: DIA4	73 - 5
B238 4194	Roller: Lever: Pressure	73 - 7
B238 4483	Screw	31 - 1
B238 4483	Screw	35 - 19
B238 5503	IC: TRIO2	145 - 1
B242 1161	Ball Bearing - 8x22x7	93 - 7
B296 9640	Developer - Black	63 - 5
B312 1615	Tension Roller	25 - 3
B351 1781	Gear - 18Z	33 - 16
B386 3320	Spring: Belt: Paper Feed: 8N	23 - 15
B387 1951	Spring - Paper Size Sensor	37 - 22
B387 2113	Roller - Paper Feed Belt	23 - 14
B387 2163	Pickup Collar	23 - 7
B477 2715	Pressure Plate Tape	39 - 13
B585 5140	PCB: DDR1-DIMM-32D: 512MB: Ass'y	107 - 22
B645 5010	SD Card	153 - 6
B645 6820	SD-Card: USB: Writer: BN-SDCGTY	153 - 7
B652 1807	Decal: Size: Original	151 - 11
B652 1807	Decal: Size: Original	21 - 4
B652 2379	Decal: Caution: Original: 5-Lang	151 - 12
B652 2379	Decal: Caution: Original: 5-Lang	13 - 28
B652 2379	Decal: Caution: Original: 5-Lang	19 - 1
B700 2649	Timing Belt: 40S2M144	97 - 17
B700 5805	Stepper Motor: PM: S2M: T15: Ass'y	33 - 11
B703 1165	Timing Belt: B40S2M390	37 - 15
B714 5006	DC Solenoid: Transmitted Rubber Stamp	27 - 24
B789 2114	Paper Feed Belt Roller	23 - 22
B789 3491	Scanning Driven Shaft	27 - 23

Part No.	Description	Page and Index No.
B789 3712	Exit Driven Roller	27 - 22
B789 6031	Decal - Original Table	151 - 13
B789 6031	Decal - Original Table	19 - 12
B802 1121	Positioning Plate: Front	39 - 1
B802 1131	Positioning Plate: Rear	39 - 2
B802 1212	Frame: Base	39 - 16
B802 1231	Bracket: PCB: Right	37 - 2
B802 1236	Bracket: PCB: Left	37 - 14
B802 1246	Bracket: On Off Detector	37 - 12
B802 1252	Feeler: Paper Size Sensor	37 - 23
B802 1261	Grip: Lower	39 - 14
B802 1266	Sponge: Base: 2mm	39 - 15
B802 1321	Hinge: Left: Ass'y	39 - 8
B802 1361	Damper: Hinge: Right: Ass'y	39 - 9
B802 1412	Plate: Harness: Guide	37 - 24
B802 1612	Bracket: Motor	37 - 16
B802 1616	Stay: Motor	37 - 19
B802 1621	Stepper Motor: DC24V 4.8W	37 - 21
B802 1624	Bracket: Coupling	37 - 18
B802 1629	Cooling Fan Bracket	37 - 7
B802 1631	Timing Pulley: T31	35 - 6
B802 1632	Gear: Z18	35 - 7
B802 1633	Gear: Z19	35 - 8
B802 1641	Gear: Z18	35 - 21
B802 1642	Gear: Z37	35 - 3
B802 1643	Gear: Z26	35 - 4
B802 1651	Gear: Z25	35 - 5
B802 1661	Gear: Z21/Z23	35 - 2
B802 1671	Gear: Z17	35 - 1
B802 1681	Gear: Z18	35 - 15
B802 1715	Bracket: Stepper Motor	35 - 10
B802 1721	Stepper Motor: DC1.76V 3.7W	35 - 14
B802 1731	Stay: Motor: Scanning	35 - 11
B802 1736	Bracket: Protect: Drive	35 - 13
B802 1741	Timing Pulley: T31/T61	35 - 16

Part No.	Description	Page and Index No.
B802 1752	Timing Pulley: T31: Idler: Ass'y	31 - 3
B802 1755	Bracket: Tension	31 - 2
B802 1755	Bracket: Tension	35 - 20
B802 1762	Timing Pulley: T31	35 - 18
B802 1768	Pulley: Idler: DIA16: Ass'y	31 - 7
B802 1773	Bracket: Shaft: Side Plate: Front	25 - 1
B802 1774	Timing Belt: 40S3M186	25 - 4
B802 1777	Knob: Misfeed Removal: T27	25 - 2
B802 1812	Stepper Motor: DC4.08V 2.4W	33 - 1
B802 1815	Bracket: Reverse: Drive	33 - 3
B802 1925	Bracket: Pickup: Drive	33 - 10
B802 1931	Timing Pulley: T33-Z17	33 - 17
B802 1941	Cam: Pickup	33 - 22
B802 1942	Stopper: Cam: Pickup	33 - 18
B802 1943	Feeler: Cam: Pickup	33 - 20
B802 1946	Gear: Drive: Arm: Pickup	33 - 21
B802 1951	Cam: Stopper Pawl	33 - 14
B802 1956	Gear: Stopper: Original Insert: Z25	33 - 15
B802 1985	Bracket: Sensor: Pickup	33 - 7
B802 2111	Stopper Pawl: Paper Feed	25 - 23
B802 2115	Lever: Stopper Pawl	25 - 26
B802 2221	Guide: Reverse: Open And Close: Sub-ass'y	25 - 28
B802 2223	Sheet: Guard	25 - 27
B802 2225	Drum Stay: Guide: Reverse	25 - 14
B802 2226	Guide: Reverse: Open And Close	25 - 16
B802 2227	Guide: Reverse: Open And Close: Behind	25 - 21
B802 2231	Shaft: Reverse: Drive: Press Fit	25 - 20
B802 2252	Shaft: Roller: Reverse	25 - 13
B802 2253	Gear: Z20	25 - 15
B802 2255	Torque Limiter Mechanical Clutch: Separator	25 - 12
B802 2285	Roller: Reverse Exit: Driven	25 - 19
B802 2291	Stopper: Guide: Reverse	27 - 17
B802 2512	Original Table	19 - 25
B802 2522	Original Table: Face Front	19 - 13
B802 2526	Side Fence	19 - 11

Part No.	Description	Page and Index No.
B802 2532	Spring Plate: Side Fence	19 - 15
B802 2536	Slider: Side Fence	19 - 14
B802 2541	Guide: Original Insert	19 - 21
B802 2551	Stay: Original Table: Contact Point	19 - 9
B802 2562	Plate: Contact Point	19 - 24
B802 2571	Spring Plate: 0.2T	19 - 17
B802 2581	Stopper: Original Table	19 - 10
B802 3145	Spring Plate	29 - 5
B802 3211	Roller: Pull Out	31 - 17
B802 3231	Roller: Scanning: Entrance	29 - 9
B802 3233	Timing Pulley: T33	29 - 14
B802 3235	Timing Pulley: T33-T24	29 - 11
B802 3251	Roller: Scanning: Exit	29 - 10
B802 3252	Timing Pulley: T33	29 - 12
B802 3311	Roller: Exit	31 - 21
B802 3312	Timing Pulley: T26	31 - 8
B802 3331	Roller: Reverse	31 - 27
B802 3332	Timing Pulley: T23	31 - 24
B802 3351	Guide: Paper Feed: Lower	31 - 15
B802 3382	Bracket: Guide: Paper Feed: Lower	29 - 2
B802 3413	Sheet: Roller: Scanning: Entrance	27 - 2
B802 3414	Sheet: Scanning: Entrance	27 - 3
B802 3415	Guide: Scanning: Entrance: Lower	27 - 1
B802 3417	Sheet: Auxiliary: Scanning: Entrance	27 - 26
B802 3422	Stay: Scanning: Entrance: Lower	27 - 8
B802 3431	Bracket: Entrance: Pressure: Ass'y	27 - 6
B802 3435	Compression Spring: 3.3N	27 - 7
B802 3442	Sensor Bracket	27 - 27
B802 3471	Roller: Scanning: Driven	27 - 4
B802 3492	Shaft: Driven: Entrance	27 - 25
B802 3511	Guide Plate: Scanning	27 - 9
B802 3553	Guide: Scanning: Exit: Lower	27 - 11
B802 3561	Stay: Scanning: Exit: Lower	27 - 15
B802 3566	Plate: Exit: Pressure: Auxiliary	27 - 12
B802 3567	Spring Plate: Scanning: Exit: Driven: Upper	27 - 13

Part No.	Description	Page and Index No.
B802 3569	Spring Plate: Scanning: Exit: Driven: Lower	27 - 14
B802 3592	Shaft: Driven: Exit	27 - 5
B802 3611	Exchange Pawl: Reverse	31 - 23
B802 3612	Cushion: Exchange Pawl	31 - 22
B802 3615	Lever: Exchange Pawl: Reverse	31 - 11
B802 3631	Link: Solenoid	31 - 10
B802 3653	Guide: Exit: Upper	31 - 20
B802 3655	Guide: Exit: Upper: Sub-ass'y	31 - 28
B802 3711	Spring Plate	27 - 21
B802 3751	Stay: Reverse	31 - 26
B802 3755	Discharge Brush: Reverse	27 - 20
B802 3756	Discharge Brush: Exit	31 - 25
B802 3811	DC Solenoid: 24V	25 - 7
B802 3833	Shielding Plate: Sensor	29 - 7
B802 3834	Bracket: Registration Sensor	29 - 8
B802 3851	Bracket: Sensor: Scanning: Exit	27 - 19
B802 4121	Cover: Paper Feed	21 - 1
B802 4152	Grip: Cover	21 - 2
B802 4154	Hook: Grip: Cover: Front	21 - 6
B802 4155	Hook: Grip: Cover: Inner Back	21 - 7
B802 4158	Shaft: Grip: Cover	21 - 8
B802 4162	Stopper: Cover	21 - 12
B802 4222	Guide: Upper	23 - 33
B802 4224	Spring Plate: Upper	23 - 32
B802 4225	Sheet: Driven Roller: Pull Out	23 - 41
B802 4227	Drum Stay: Upper: Inner Back	23 - 30
B802 4228	Drum Stay: Upper: Front	23 - 29
B802 4229	Sheet: Guide: Upper	23 - 31
B802 4231	Bracket: Cover: Inner Back	21 - 11
B802 4241	Bracket: Cover: Front	21 - 10
B802 4252	Bracket: Paper Size Sensor	21 - 15
B802 4263	Feeler: Original Sensor	21 - 22
B802 4265	Ground Plate	23 - 40
B802 4282	Bracket: Driven Roller: Pull Out	23 - 37
B802 4292	Ground Plate: Driven Roller: Pull Out	23 - 38

Part No.	Description	Page and Index No.
B802 4295	Driven Roller: Pull Out	23 - 35
B802 4311	Paper Feed: Unit	23 - 1
B802 4322	Shaft: Drive	23 - 24
B802 4323	Holder	23 - 26
B802 4325	Lever: Pickup: Release	23 - 27
B802 4326	Collar: Shaft	23 - 17
B802 4328	Gear: Z20	23 - 28
B802 4333	Bracket: Paper Feed Belt	23 - 16
B802 4352	Shaft: Pickup	23 - 10
B802 4355	Bracket: Pickup	23 - 11
B802 4357	Gear: Z19	23 - 4
B802 4358	Timing Pulley: Gear: T19/Z22	23 - 5
B802 4359	Cushion: Pickup	23 - 12
B802 4361	Roller: Pickup	23 - 6
B802 4372	Timing Pulley: T21	23 - 8
B802 4411	Cover: Front	19 - 4
B802 4511	Cover: Rear	19 - 8
B802 4611	Pressure Plate	39 - 3
B802 4621	Drum Stay: Pressure Plate	39 - 12
B802 4631	Cushion: Left	39 - 4
B802 4711	Sound Proofing Material	21 - 5
B802 4712	Sound Proofing Material: Cover: Rear	19 - 7
B802 4713	Cushion: Left	39 - 5
B802 4714	Cushion: Inner Back	39 - 6
B802 5501	ADF Main Board	37 - 11
B802 5710	Harness: Interface	37 - 1
B802 5730	Harness: Paper Feed	37 - 4
B802 5760	Harness: Motor: Paper Feed	37 - 9
B802 5770	Harness: Motor: Reverse	37 - 6
B802 5780	Harness: Lift Up	37 - 3
B802 5790	Harness: Solenoid	25 - 6
B802 5800	Harness: Solenoid	37 - 5
B802 5810	Harness: Registration Sensor	29 - 1
B802 5820	Harness: Motor: Pick Up	37 - 10
B802 5850	Interface harness - Fan	37 - 25

Part No.	Description	Page and Index No.
B802 5870	Harness: Sensor: Paper Feed	21 - 16
B802 5880	Harness: Sensor: Original Table	19 - 22
B802 6011	Decal: Side Fence	19 - 16
B802 6011	Decal: Side Fence	151 - 14
B802 6012	Decal: Misfeed Removal: Original	151 - 17
B802 6012	Decal: Misfeed Removal: Original	21 - 3
B802 6013	Decal: Display: Misfeed Removal: P1	19 - 5
B802 6013	Decal: Display: Misfeed Removal: P1	151 - 15
B802 6014	Decal: Display: Misfeed Removal: P2	25 - 17
B802 6014	Decal: Display: Misfeed Removal: P2	151 - 16
B802 6016	Decal: Display: Misfeed Removal: P3	31 - 19
B802 6016	Decal: Display: Misfeed Removal: P3	151 - 18
B802 6121	Screw: Fix: Hinge	19 - 3
B814 6053	Decal - Scale	151 - 27
B814 6053	Decal - Scale	41 - 22
D029 1774	Seal: Guard: Exposure Glass: Document Feeder	41 - 23
D029 2662	Manual Feed Table	55 - 14
D029 2750	Paper Feed Unit	53 - *
D029 2773	Harness - Paper Feed Unit	53 - 3
D029 2863	Release Shaft	51 - 12
D029 2900	Paper Tray: No.2: Ass'y	51 - *
D029 5212	Harness: SIO: Sensor	41 - 15
D029 5213	Harness: SIO: ARDF	41 - 18
D029 5214	Harness: SIO: Lamp Regulator	47 - 9
D029 5215	Harness: SIO: STM	47 - 17
D029 5218	Harness: Lamp: Connecting	47 - 27
D362 1140	HDD Bracket	107 - 12
D362 5131	Cable - HDD Power	107 - 13
D362 5132	Harness - HDD	107 - 14
D362 5170	PCB - HDD	107 - 18
G020 1160	Snap Ring	31 - 12
G020 1332	Hinge - Front Cover	13 - 13
G021 9350	Loop Back Connector	153 - 10
G024 1314	Pulley Pin	67 - 13
G029 1980	Decal - LD	49 - 3

Part No.	Description	Page and Index No.
G029 1980	Decal - LD	151 - 23
G038 1299	Rivet - 5	13 - 31
G052 4892	Discharge Brush: Exit: Small	23 - 39
G052 4892	Discharge Brush: Exit: Small	29 - 4
G060 2652	Bushing - M4	85 - 3
G060 2932	Pick-up Arm - Manual Feed	57 - 13
G065 2308	Electrode Plate: Charge: Rear	65 - 31
G065 2354	Electrode Plate: Charge: Front	65 - 17
G065 2681	Snap Ring - M6	65 - 18
G065 2681	Snap Ring - M6	63 - 3
G065 2767	Lever - Feed	53 - 24
G065 2774	Pressure Lever	53 - 32
G065 2775	Link Lever	53 - 38
G065 2776	Release Lever	53 - 37
G080 2682	Bushing: Feed	57 - 28
G080 2900	Torque Limiter	57 - 40
G102 3837	Stopper: Blade	69 - 11
G404 2810	Spring Plate - 2nd Mirror	43 - 8
G570 1133	Timing Pulley 73	47 - 7
G570 1160	Spacer Bushing	47 - 4
G570 1225	Sensor Shielding Plate	33 - 6
G570 2832	Guide - High Voltage Supply Cord	43 - 13
G570 2833	Pulley Holder	43 - 12
G570 2834	Pulley - High Voltage Supply Cord	43 - 14
G790 2329	Brush Roller: Cleaner: Charge:	
	AMABUKI: Ass'y	65 - 46
H020 2318	Rivet - NRP345	47 - 28
H053 2208	Bushing - M4	87 - 8
H053 2208	Bushing - M4	89 - 4
H511 5007	Stamp	13 - 33
J503 3116	Timing Belt: 40S2M128	33 - 5

Part No.	Description	Page and Index No.
M308 5130	HDD: 80GB: MHZ2080BH: FUJITSU	107 - 11

Part No.	Description	Page and Index No.
AA04 3320	Timing Belt: 40S1.5M150	35 - 9
AA04 3321	Timing Belt: 40S1.5M378	31 - 5
AA04 3322	Timing Belt: 40S1.5M157.5	35 - 17
AA04 3323	Timing Belt: 40S2M120	33 - 9
AA04 3328	Timing Belt: 40S2M130	23 - 9
AA04 3585	Timing Belt: 40S3M162	97 - 7
AA04 3601	Timing Belt - B40S2M118	95 - 5
AA04 3656	Timing Belt - 60S3M177	91 - 31
AA04 3658	Timing Belt - 60S2M300	93 - 27
AA06 0691	Tension Spring	53 - 23

Part No.	Description	Page and Index No.
AA06 0693	Tension Spring	53 - 31
AA06 0842	Tension Spring	35 - 12
AA06 0842	Tension Spring	31 - 4
AA06 0842	Tension Spring	37 - 20
AA06 0843	Tension Spring	25 - 25
AA06 0872	Spring	57 - 43
AA06 0948	Tension Spring: Stripper Pawls: 50mN	73 - 16
AA06 0979	Tension Spring: Tension: 14720mN	47 - 30
AA06 0980	Tension Spring: Tension: 11300mN	43 - 18
AA06 1003	Tension Spring: Side Fence: Rear	51 - 14
AA06 1014	Tension Spring: Grip	51 - 11
AA06 1020	Spring: Release: Transfer Belt	67 - 7
AA06 1022	Spring - Driven Roller	71 - 10
AA06 1023	Compression Spring - Knob	71 - 4
AA06 1024	Tension Spring - Pressure	73 - 10
AA06 1099	Compression Spring: Cleaning Roller	71 - 15
AA06 1100	Spring: Pressure: Cleaning Blade	69 - 3
AA06 2258	Spring: Pressure: Cleaning Blade: No.2	65 - 47
AA06 2259	Spring - Release	53 - 39
AA06 2260	Tension Spring	31 - 9
AA06 2262	Tension Spring	21 - 9
AA06 2300	Tension Spring	65 - 27
AA06 2310	Pressure Spring	65 - 42
AA06 2348	Pressure Spring	65 - 26
AA06 3303	Pressure Spring	83 - 24
AA06 3432	Spring - Intermediate Drawer	93 - 22
AA06 3435	Compression Spring: Paper Feed: Joint	23 - 20
AA06 3441	Compression Spring	23 - 36
AA06 3445	Spring - Laser Diode Unit	49 - 10
AA06 3447	Spring - Transfer Belt	69 - 9
AA06 3448	Pressure Spring - Transfer Unit	83 - 17
AA06 3499	Pressure Spring	57 - 42
AA06 3566	Pressure Spring	61 - 8
AA06 3568	Pressure Spring	57 - 12
AA06 3648	Pressure Spring	65 - 20

Part No.	Description	Page and Index No.
AA06 3886	Spring	75 - 7
AA06 3919	Spring: Pressure	25 - 9
AA06 6376	Torsion Spring: Pickup: Pressure	23 - 25
AA06 6380	Spring	69 - 18
AA06 6381	Spring	69 - 20
AA08 0254	Bushing - M4	77 - 9
AA08 0254	Bushing - M4	83 - 25
AA08 0265	Bushing: 6x8x5	25 - 24
AA08 0281	Bushing - 12x18x5.5	63 - 35
AA08 0288	Bushing: DIA6	23 - 34
AA08 0346	Bushing: Flange Type: DIA6	97 - 13
AA08 0347	Bushing - 8mm	91 - 29
AA08 0351	Bushing - Cleaning Roller	71 - 16
AA08 0352	Bushing - Driven Roller	71 - 11
AA08 0353	Bushing - 4mm	75 - 23
AA08 0354	Bushing - 6mm	75 - 19
AA08 0355	Bushing - 7mm	75 - 13
AA08 0356	Bushing - 6mm	75 - 17
AA08 2054	Bushing - M4	67 - 3
AA08 2074	Bushing - M8	59 - 10
AA08 2078	Bushing - 8mm	59 - 24
AA08 2101	Bushing - 6x10x6	33 - 12
AA08 2101	Bushing - 6x10x6	31 - 13
AA08 2101	Bushing - 6x10x6	53 - 20
AA08 2101	Bushing - 6x10x6	57 - 7
AA08 2101	Bushing - 6x10x6	89 - 6
AA08 2101	Bushing - 6x10x6	83 - 10
AA08 2101	Bushing - 6x10x6	25 - 10
AA08 2101	Bushing - 6x10x6	23 - 3
AA08 2102	Bushing - 6x10x6	57 - 23
AA08 2104	Bushing - 8x12x7	23 - 18
AA08 2104	Bushing - 8x12x7	81 - 3
AA08 2143	Bushing - 6x10x6	53 - 11
AA08 2144	Bushing - 8x12x7	47 - 2
AA08 3014	One-way Clutch	57 - 30

Part No.	Description	Page and Index No.
AA10 0014	Retaining Ring C - Separate	57 - 5
AA10 0014	Retaining Ring C - Separate	83 - 22
AA10 0014	Retaining Ring C - Separate	53 - 16
AA10 1021	Rubber Bushing - 6 45HS	33 - 2
AA10 1021	Rubber Bushing - 6 45HS	97 - 23
AA10 1021	Rubber Bushing - 6 45HS	81 - 18
AA13 2013	Spacer	23 - 19
AA13 2208	Spacer - M6	91 - 3
AA14 0777	Shaft: Feed	57 - 8
AA14 0778	Shaft: Separator: Drive	57 - 38
AA14 3183	Stepped Screw	85 - 25
AA14 3404	Stepped Screw - M4	109 - 10
AA14 3520	Shoulder Screw - M3	73 - 45
AA14 3520	Shoulder Screw - M3	71 - 19
AA14 3520	Shoulder Screw - M3	41 - 12
AA14 3520	Shoulder Screw - M3	71 - 21
AA14 3520	Shoulder Screw - M3	39 - 11
AA14 3549	Screw: DIA10: M3x8	65 - 39
AA14 3569	Screw	27 - 10
AA14 3579	Screw - M3	95 - 15
AA14 3579	Screw - M3	99 - 11
AA14 3744	Stepped Screw	91 - 10
AA14 3788	Pin: Guide Plate: Paper Feed	21 - 14
AA14 3789	Shaft: Cleaner	21 - 13
AA14 3790	Screw: Contact Point	31 - 14
AA14 3790	Screw: Contact Point	39 - 7
AA14 3792	Screw: Drawer	73 - 8
AA14 3802	Screw: 6x1.7	37 - 17
AA14 3807	Screw: A	81 - 1
AA14 3812	Screw - Scale	75 - 1
AA14 3823	Tapping Screw	25 - 5
AA14 3848	Stepped Screw - M3	107 - 17
AA14 5294	Parallel Pin - 2x12mm	93 - 17
AA15 0423	Seal - Cleaning Pressure	69 - 27
AA15 3083	Seal - Toner Supply Unit Cover	61 - 9

Part No.	Description	Page and Index No.
AA15 3095	Shield - Development - Center	63 - 18
AA16 1163	Cushion	109 - 5
AA16 1164	Cushion: Stepper Motor	97 - 15
AA16 1167	Rubber Cushion	107 - 16
AB01 0140	Gear - 90Z	93 - 25
AB01 0141	Gear - 46Z	93 - 15
AB01 0156	Gear: Separate: Drive	53 - 33
AB01 0157	Gear: Separate: Drive	53 - 30
AB01 0171	Gear - 40Z	73 - 39
AB01 0172	Gear - 24Z/25Z	73 - 34
AB01 0173	Gear - 60Z	75 - 20
AB01 0174	Gear - 20Z/50Z	75 - 5
AB01 0175	Gear - 24Z	75 - 6
AB01 0176	Gear - 24Z	75 - 22
AB01 0177	Gear - 32Z	75 - 16
AB01 0178	Worm Gear	75 - 15
AB01 0379	Gear: Drum	93 - 9
AB01 1218	Gear - Roller Clutch	53 - 19
AB01 1223	Idler Gear - 25Z	57 - 45
AB01 1252	Gear - 20Z	53 - 15
AB01 1258	Gear - 38Z	97 - 6
AB01 1259	Gear - 32Z	97 - 9
AB01 1282	Gear - 31Z	67 - 14
AB01 1379	Gear - 19Z	65 - 29
AB01 1380	Cam - Cleaning Blade	65 - 28
AB01 1387	Gear - 23Z	57 - 10
AB01 1416	Gear - 20Z	57 - 36
AB01 1523	Gear - 24Z	91 - 18
AB01 1524	Gear - 36Z	91 - 19
AB01 1525	Gear - 32Z	91 - 21
AB01 1526	Gear - 24Z	91 - 20
AB01 1527	Gear - 14Z/32Z	91 - 22
AB01 1528	Gear - 14Z/32Z	91 - 23
AB01 4060	Gear - 21Z	63 - 9
AB01 4061	Gear - 13Z	63 - 7

Part No.	Description	Page and Index No.
AB01 4062	Gear - 17Z/25Z	63 - 10
AB01 4161	Reverse Roller Gear	81 - 11
AB01 4280	Gear - 26Z/90Z	91 - 6
AB01 4281	Gear - 40Z	91 - 7
AB01 4282	Gear - 26Z/30Z	91 - 11
AB01 4283	Gear - 24Z	91 - 5
AB01 4284	Gear - 24Z	91 - 4
AB01 7493	Gear Pulley	97 - 18
AB01 7699	Gear - 33Z/44Z	97 - 5
AB01 7743	Gear - 20Z	91 - 32
AB01 7752	Gear - 27TZ/42Z	93 - 12
AB03 0744	Timing Pulley - 27Z/40T	95 - 4
AB03 0781	Timing Pulley - 28Z/30T	97 - 8
AB03 0815	Timing Pulley - 24T	91 - 30
AB03 0820	Pulley - 31T	93 - 16
AB03 0821	Pulley - 31T	93 - 14
AC01 5025	Shield Glass	49 - 4
AC03 0142	1st Mirror	43 - 6
AD02 5021	Pick-Off Pawl	65 - 44
AD02 7012	Roller: Charge: Apply	65 - 37
AD04 1105	Cleaning Blade: No.2: Ass'y	65 - 35
AD04 1135	Cleaning Blade - Transfer Belt	69 - 1
AE01 0099	Hot Roller	73 - 40
AE02 0199	Pressure Roller	73 - 43
AE03 0098	Ball Bearing - 8x22x7	73 - 4
AE03 0099	Ball Bearing - 30x42x7	73 - 3
AE04 0099	Holder Roller	75 - 9
AE04 2098	Cleaning Roller: Ass'y	71 - 17
AE04 4099	Stripper Pawls	73 - 17
AE04 5099	Cleaning Web	75 - 18
AF01 3006	Bottom Plate Pad	51 - 5
AF01 3016	Bottom Plate Pad	57 - 27
AF03 0049	Pick-up Roller	57 - 11
AF03 0090	Paper Feed Roller: Pickup	53 - 14
AF03 1046	Feed Roller - Manual Feed	57 - 6

Part No.	Description	Page and Index No.
AF03 1090	Paper Feed Roller: Feed	53 - 18
AF03 2046	Separation Roller - Manual Feed	57 - 39
AF03 2090	Paper Feed Roller: Separate	53 - 27
AF04 0571	Guide Roller	89 - 13
AF04 0575	Driven Roller	89 - 8
AF04 0599	Pressure Roller: 15	89 - 26
AF04 0601	Pressure Roller: Entrance	89 - 24
AG07 0513	Magnet Catch	19 - 26
AG07 0514	Magnet Catch	77 - 11
AG07 1012	Magnet Catch: Ass'y	13 - 4
AW01 0091	Photo Reflection Sensor	21 - 20
AW01 0107	Paper Feed Sensor	57 - 2
AW01 0107	Paper Feed Sensor	59 - 20
AW01 0107	Paper Feed Sensor	87 - 6
AW01 0107	Paper Feed Sensor	81 - 5
AW01 0122	Paper Feed Sensor	53 - 7
AW01 0127	Paper Feed Sensor	87 - 13
AW01 0128	Paper Feed Sensor	53 - 5
AW01 0129	Photo Reflection Sensor	19 - 23
AW01 0133	Original Sensor - 66mm	45 - 3
AW01 0134	Original Sensor - 48mm	45 - 3
AW01 0140	Original Sensor - 76mm	47 - 20
AW01 0199	Entrance Sensor	99 - 19
AW02 0145	Photointerruptor: Flat	87 - 19
AW02 0145	Photointerruptor: Flat	41 - 14
AW02 0145	Photointerruptor: Flat	81 - 9
AW02 0145	Photointerruptor: Flat	53 - 2
AW02 0146	Photointerruptor: Flat: PICH2mm: M4	41 - 16
AW02 0150	Photointerruptor: Flat: 7mm	91 - 14
AW02 0154	Photointerruptor: Entrance	21 - 17
AW02 0155	Photointerruptor: Paper Size Sensor	21 - 18
AW11 0098	Thermostat - 220C	73 - 21
AW11 0099	Thermostat - 219C	73 - 23
AW50 0023	Push Switch	99 - 7
AW50 0031	Paper Size Sensor	55 - 10

Part No.	Description	Page and Index No.
AW50 0035	Paper End Sensor	57 - 21
AW50 0038	Push Switch: Paper Size Sensor	95 - 11
AX04 0154	DC Motor 24V	95 - 8
AX04 0167	Motor: DC5V 0.71W	91 - 26
AX05 0292	Toner Bottle Motor - DC 2.4W	99 - 2
AX06 0353	Polygon Mirror Motor - DC 16.8W	49 - 5
AX06 0354	Brushless Motor - DC 6W	93 - 4
AX06 0355	Brushless Motor - DC 11W	91 - 27
AX06 0355	Brushless Motor - DC 11W	93 - 5
AX06 0356	Brushless Motor: DC24V 18W	91 - 13
AX20 0289	Magnetic Clutch - 32Z	97 - 11
AX20 2007	Magnetic Clutch	57 - 31
AX31 0045	Total Counter: 7FIG: 24V	97 - 24
AX43 0112	Heater - 120V 550W	73 - 41
AX43 0113	Heater - 230V 550W	73 - 41
AX44 0252	Heater - 120V 750W	73 - 42
AX44 0253	Heater - 230V 750W	73 - 42
AX64 0159	Fan Motor MM80	103 - 1
AX64 0164	Fan Motor: 15mm: 24V	47 - 23
AX64 0164	Fan Motor: 15mm: 24V	45 - 11
AX64 0194	Fan Motor - DC 2.16W	101 - 19
AX64 0195	Fan Motor - DC 2.16W	107 - 25
AZ24 0139	Power Supply Unit - 120V	105 - 21
AZ24 0141	Power Supply Unit - 230V	105 - 21
AZ32 0145	Power Pack: CBT	93 - 2
AZ50 0070	Stabilizer - CS	47 - 8
AZ50 0074	Stabilizer - MS	47 - 8
BC01 2002	Exposure Glass: Sheet Through: 344x20	41 - 4
GA14 3003	Screw: MM5: 2.5mm	21 - 23
GW01 0007	Photo Reflection Sensor: Exit	27 - 18
GW01 0007	Photo Reflection Sensor: Exit	19 - 20
GW01 0007	Photo Reflection Sensor: Exit	29 - 6
GW01 0007	Photo Reflection Sensor: Exit	21 - 19
GW02 0020	Photointerruptor: LG248NL1	37 - 13
GW02 0020	Photointerruptor: LG248NL1	21 - 21

Part No.	Description	Page and Index No.
GW02 0020	Photointerruptor: LG248NL1	33 - 8
GW23 0001	Toner End Sensor	69 - 14
GX64 0028	Fan Motor DC24V 1.92W	37 - 8
VSSM 9000	Digital Multimeter - FLUKE 187	153 - 3

Part No.	Description	Page and Index No.
0314 0120N	Screw - M4x12	41 - 105
0353 0030N	Screw: M3x3	15 - 105
0353 0040N	Screw - M3x4	89 - 102
0353 0040N	Screw - M3x4	57 - 104
0353 0040N	Screw - M3x4	25 - 102
0353 0050N	Screw-M3x5	43 - 102
0353 0050N	Screw-M3x5	15 - 106
0353 0050N	Screw-M3x5	75 - 101
0353 0050N	Screw-M3x5	71 - 102
0353 0060N	Bind Screw - M3x6	33 - 102
0353 0060N	Bind Screw - M3x6	17 - 102
0353 0060N	Bind Screw - M3x6	107 -105

Part No.	Description	Page and Index No.
0353 0080N	Screw: M3x8	97 - 108
0353 0100N	Screw-M3x10	81 - 103
0353 0100N	Screw-M3x10	87 - 104
0360 3006N	Screw - M3x6	73 - 101
0360 3006N	Screw - M3x6	71 - 101
0360 3006N	Screw - M3x6	65 - 105
0360 3006N	Screw - M3x6	75 - 102
0360 3006N	Screw - M3x6	107 -101
0360 3006N	Screw - M3x6	57 - 107
0360 3030N	Screw: M3x30	107 -106
0434 0100N	Tapping Screw - 4x10	97 - 106
0450 3006N	Tapping Screw - M3x6	59 - 101
0450 3006N	Tapping Screw - M3x6	87 - 109
0450 3008N	Tapping Screw - M3x8	79 - 101
0450 3008N	Tapping Screw - M3x8	37 - 102
0450 3008N	Tapping Screw - M3x8	85 - 102
0450 3008N	Tapping Screw - M3x8	49 - 102
0450 3008N	Tapping Screw - M3x8	27 - 101
0450 3008N	Tapping Screw - M3x8	19 - 102
0450 3008N	Tapping Screw - M3x8	83 - 101
0450 3008N	Tapping Screw - M3x8	25 - 103
0450 3008N	Tapping Screw - M3x8	29 - 102
0450 3008N	Tapping Screw - M3x8	101 -103
0450 3008N	Tapping Screw - M3x8	53 - 102
0450 3008N	Tapping Screw - M3x8	55 - 101
0450 3008N	Tapping Screw - M3x8	57 - 102
0450 3008N	Tapping Screw - M3x8	21 - 102
0450 3008N	Tapping Screw - M3x8	23 - 101
0450 3008P	Tapping Screw 3x8	89 - 105
0450 3010N	Tapping Screw - M3x10	99 - 103
0450 3010N	Tapping Screw - M3x10	17 - 101
0450 3010N	Tapping Screw - M3x10	13 - 104
0450 3010N	Tapping Screw - M3x10	85 - 103
0450 3010N	Tapping Screw - M3x10	49 - 101
0450 3012N	Tapping Screw: 3x12	13 - 103

Part No.	Description	Page and Index No.
0450 3012N	Tapping Screw: 3x12	51 - 103
0450 4008N	Tapping Screw - M4x8	51 - 101
0451 3006N	Tapping Screw - 3x6	77 - 101
0451 3006N	Tapping Screw - 3x6	47 - 101
0451 3006N	Tapping Screw - 3x6	19 - 101
0451 3006N	Tapping Screw - 3x6	45 - 101
0451 3006N	Tapping Screw - 3x6	85 - 101
0451 3006N	Tapping Screw - 3x6	53 - 101
0451 3006N	Tapping Screw - 3x6	87 - 101
0451 3006N	Tapping Screw - 3x6	43 - 101
0451 3006N	Tapping Screw - 3x6	57 - 101
0451 3006N	Tapping Screw - 3x6	105 -102
0451 3006N	Tapping Screw - 3x6	41 - 101
0451 3006N	Tapping Screw - 3x6	39 - 101
0451 3006N	Tapping Screw - 3x6	97 - 101
0451 3006N	Tapping Screw - 3x6	37 - 101
0451 3006N	Tapping Screw - 3x6	21 - 103
0451 3006N	Tapping Screw - 3x6	107 -102
0451 3006N	Tapping Screw - 3x6	67 - 102
0451 3006N	Tapping Screw - 3x6	31 - 101
0451 3006N	Tapping Screw - 3x6	23 - 102
0451 3006N	Tapping Screw - 3x6	29 - 101
0451 3006N	Tapping Screw - 3x6	69 - 101
0451 3006N	Tapping Screw - 3x6	27 - 103
0451 3006N	Tapping Screw - 3x6	35 - 101
0451 3006N	Tapping Screw - 3x6	81 - 101
0451 3006N	Tapping Screw - 3x6	89 - 101
0451 3006N	Tapping Screw - 3x6	33 - 101
0451 3006N	Tapping Screw - 3x6	25 - 101
0451 3008N	Tapping Screw - M3x8	93 - 110
0451 3008N	Tapping Screw - M3x8	17 - 105
0451 3008N	Tapping Screw - M3x8	15 - 101
0451 3008N	Tapping Screw - M3x8	77 - 103
0451 3008N	Tapping Screw - M3x8	99 - 104
0451 3008N	Tapping Screw - M3x8	109 -102

Part No.	Description	Page and Index No.
0451 3008N	Tapping Screw - M3x8	41 - 102
0451 3008N	Tapping Screw - M3x8	105 -109
0451 3008N	Tapping Screw - M3x8	57 - 106
0451 3008N	Tapping Screw - M3x8	13 - 101
0451 3010N	Tapping Screw: 3x10	41 - 103
0451 3010N	Tapping Screw: 3x10	21 - 101
0451 3020N	Tapping Screw: 3x20	37 - 108
0451 3025N	Tapping Screw: M3x25	101 -105
0451 4008N	Tapping Screw: 4x8	97 - 103
0452 3006N	Binding Self-tapping Screw: 3x6	27 - 104
0452 3006N	Binding Self-tapping Screw: 3x6	67 - 101
0452 3008N	Tapping Screw - M3x8	69 - 103
0452 3008N	Tapping Screw - M3x8	107 -103
0452 3008N	Tapping Screw - M3x8	57 - 103
0452 3010N	Binding Self-tapping Screw: 3x10	61 - 101
0453 3006N	Tapping Screw - M3x6	27 - 102
0453 3006N	Tapping Screw - M3x6	87 - 105
0453 3006N	Tapping Screw - M3x6	59 - 104
0453 3006N	Tapping Screw - M3x6	41 - 104
0453 3008N	Binding Self Tapping Screw: 3x8	41 - 106
0453 3008N	Binding Self Tapping Screw: 3x8	51 - 102
0453 4006N	Binding Self Tapping Screw: 4x6	35 - 102
0453 4006N	Binding Self Tapping Screw: 4x6	37 - 103
0454 3006Q	Tapping Screw - M3x6	109 -101
0454 3006Q	Tapping Screw - M3x6	103 -101
0454 3006Q	Tapping Screw - M3x6	61 - 103
0454 3006Q	Tapping Screw - M3x6	39 - 102
0454 3006Q	Tapping Screw - M3x6	97 - 102
0454 3006Q	Tapping Screw - M3x6	65 - 101
0454 3006Q	Tapping Screw - M3x6	63 - 101
0454 3006Q	Tapping Screw - M3x6	87 - 102
0454 3006Q	Tapping Screw - M3x6	95 - 101
0454 3006Q	Tapping Screw - M3x6	105 -101
0454 3006Q	Tapping Screw - M3x6	93 - 101
0454 3006Q	Tapping Screw - M3x6	59 - 102

Part No.	Description	Page and Index No.
0454 3006Q	Tapping Screw - M3x6	73 - 105
0454 3006Q	Tapping Screw - M3x6	101 - 102
0454 3006Q	Tapping Screw - M3x6	47 - 104
0454 3006Q	Tapping Screw - M3x6	45 - 102
0454 3006Q	Tapping Screw - M3x6	91 - 101
0454 3006Q	Tapping Screw - M3x6	49 - 106
0454 3006Q	Tapping Screw - M3x6	107 - 104
0454 3006Q	Tapping Screw - M3x6	81 - 102
0454 3006Q	Tapping Screw - M3x6	15 - 103
0454 3008Q	Tapping Screw: 3x8	101 - 101
0454 3008Q	Tapping Screw: 3x8	99 - 102
0454 3008Q	Tapping Screw: 3x8	13 - 102
0454 3008Q	Tapping Screw: 3x8	15 - 102
0454 3008Q	Tapping Screw: 3x8	99 - 101
0454 3008Q	Tapping Screw: 3x8	103 - 102
0454 3008Q	Tapping Screw: 3x8	95 - 102
0454 3008Q	Tapping Screw: 3x8	57 - 105
0454 3008Q	Tapping Screw: 3x8	91 - 104
0454 3008Q	Tapping Screw: 3x8	53 - 106
0454 3020Q	Tapping Screw: 3x20	45 - 103
0454 3020Q	Tapping Screw: 3x20	93 - 103
0456 3008N	Tapping Screw - M3x8	69 - 102
0456 3008N	Tapping Screw - M3x8	63 - 102
0456 3008N	Tapping Screw - M3x8	65 - 102
0456 3008N	Tapping Screw - M3x8	61 - 102
0457 3008N	Tapping Screw - M3x8	65 - 103
0573 0030E	Hexagonal Set Screw - M3x3	75 - 104
0632 0100G	Pin - 2x10mm	23 - 106
0632 0100G	Pin - 2x10mm	29 - 106
0632 0120G	Parallel Pin - 2x12	25 - 104
0712 0030N	Hexagonal Nut: M3	49 - 105
0720 0025E	Retaining Ring - M2.5	89 - 103
0720 0030E	Retaining Ring - M3	73 - 107
0720 0030E	Retaining Ring - M3	63 - 103
0720 0030E	Retaining Ring - M3	81 - 106

Part No.	Description	Page and Index No.
0720 0030E	Retaining Ring - M3	77 - 102
0720 0030E	Retaining Ring - M3	89 - 104
0720 0030E	Retaining Ring - M3	83 - 103
0720 0030E	Retaining Ring - M3	75 - 103
0720 0030E	Retaining Ring - M3	31 - 104
0720 0040E	Retaining Ring - M4	35 - 103
0720 0040E	Retaining Ring - M4	81 - 104
0720 0040E	Retaining Ring - M4	43 - 104
0720 0040E	Retaining Ring - M4	97 - 107
0720 0040E	Retaining Ring - M4	53 - 104
0720 0040E	Retaining Ring - M4	85 - 107
0720 0040E	Retaining Ring - M4	87 - 106
0720 0040E	Retaining Ring - M4	23 - 103
0720 0040E	Retaining Ring - M4	31 - 102
0720 0040E	Retaining Ring - M4	25 - 105
0720 0040E	Retaining Ring - M4	29 - 103
0720 0040E	Retaining Ring - M4	65 - 104
0720 0060E	Retaining Ring - M6	91 - 102
0720 0060E	Retaining Ring - M6	23 - 104
0720 0060E	Retaining Ring - M6	31 - 103
0720 0080E	Retaining Ring - M8	73 - 108
0720 0080E	Retaining Ring - M8	51 - 104
0725 0110E	C Ring - M11	63 - 104
0733 0408	Bushing: 4x8	73 - 106
0740 3506	Ball Bearing - 6x12x4 mm	29 - 105
0740 3808	Ball Bearing - 8x16x5mm	93 - 105
0741 3506	Ball Bearing - 6x12x4 mm	29 - 104
0741 3506	Ball Bearing - 6x12x4 mm	31 - 106
0741 3506	Ball Bearing - 6x12x4 mm	35 - 104
0741 3506	Ball Bearing - 6x12x4 mm	23 - 108
0742 3808	Ball Bearing - 8x16x5	31 - 105
0802 5299	Tapping Screw - M3x8	47 - 103
0802 5299	Tapping Screw - M3x8	109 - 106
0802 5299	Tapping Screw - M3x8	43 - 103
0802 5299	Tapping Screw - M3x8	99 - 105

Part No.	Description	Page and Index No.
0802 5305	Tapping Screw - M3x6	109 -104
0804 6123	Hexagonal Bolt: W/Washer: M3x8	73 - 102
0804 6123	Hexagonal Bolt: W/Washer: M3x8	47 - 102
0805 0088	Retaining Ring - M6	109 -103
0805 0088	Retaining Ring - M6	57 - 109
0805 0088	Retaining Ring - M6	47 - 110
0805 0088	Retaining Ring - M6	23 - 105
0805 0088	Retaining Ring - M6	81 - 108
0805 0088	Retaining Ring - M6	93 - 104
0805 0089	Retaining Ring - M4	83 - 102
0805 0089	Retaining Ring - M4	91 - 105
0805 0089	Retaining Ring - M4	53 - 103
0805 0089	Retaining Ring - M4	55 - 102
0805 0089	Retaining Ring - M4	57 - 108
0805 0089	Retaining Ring - M4	97 - 104
0805 0089	Retaining Ring - M4	93 - 106
0805 0089	Retaining Ring - M4	59 - 103
0805 0089	Retaining Ring - M4	25 - 106
0805 0092	Retaining Ring - 3M	101 -104
0805 0092	Retaining Ring - 3M	89 - 106
0805 0092	Retaining Ring - 3M	79 - 102
0805 0092	Retaining Ring - 3M	87 - 103
0805 0097	Ring Separator	79 - 103
0951 3008N	Screw: Polished Round: M3x8	49 - 103
0951 3020N	Screw: Polished Round: M3x20	49 - 104
0954 3008N	Screw - M3x8	85 - 104
0954 3010N	Screw: Polished Round/Spring: M3x10	93 - 107
0954 3010N	Screw: Polished Round/Spring: M3x10	73 - 103
0957 4008N	Screw: Small Round/Spring: M4x8	91 - 103
0957 4008N	Screw: Small Round/Spring: M4x8	73 - 104
0957 4008N	Screw: Small Round/Spring: M4x8	105 -103
1100 1475	Test Pin	145 -101
1101 0328	Connector Pin Contact	145 -102
1102 4203	CT Header - 4P	135 -101
1102 4203	CT Header - 4P	145 -103

Part No.	Description	Page and Index No.
1102 4203	CT Header - 4P	139 -101
1102 4204	CT Header - 5P	135 -102
1102 4204	CT Header - 5P	139 -102
1102 4645	CT Connector - 4P	139 -103
1102 4645	CT Connector - 4P	135 -103
1102 6246	Relay Connector - 4P	107 -108
1102 6248	Connector - 5P	57 - 111
1102 6300	Connector - 7P	145 -104
1102 6311	Connector - 4P	145 -105
1102 6397	Box Header	145 -106
1102 6594	Connector - 10P	145 -107
1102 6790	Connector - 100R-LT-N1	123 -101
1102 6893	Connector: 53314-3065 (Color Only)	135 -104
1102 7358	Connector - 80P	135 -105
1102 7358	Connector - 80P	139 -104
1102 7615	Connector - B8B-XH-A	123 -102
1102 8212	Connector: TX24-50R-10ST-H1E	123 -103
1102 8329	Connector - USB - UBB-4R-D14C	123 -104
1102 8466	Connector: 55447-0210	145 -108
1102 8467	Connector - 55447-0370	145 -109
1102 8470	Connector - 55447-0610	145 -110
1102 8471	Connector - 55447-071	145 -111
1102 8474	Connector - 5 P	145 -112
1102 8475	Connector - 11P	145 -113
1102 8477	Connector - 13P	145 -114
1102 8480	Connector - 55447-1610	145 -115
1102 8481	Connector - 55447-1760	145 -116
1102 8484	Connector: 55447-2080	139 -105
1102 8485	Connector - 55451-2210	145 -117
1102 8488	Connector - 5451-2810	145 -118
1102 8489	Connector - 55451-3010	135 -106
1102 8489	Connector - 55451-3010	139 -106
1102 8492	Connector - 55451-3610	145 -119
1102 8502	Connector - 54679-1615	105 -107
1102 8534	Connector - QR/P17-14S-B	103 -106

Part No.	Description	Page and Index No.
1102 8560	Connector - KX14-60K5D1E	139 -107
1102 8560	Connector - KX14-60K5D1E	135 -107
1102 9108	Connector - 353297-3	145 -120
1102 9109	Connector - 353297-4	145 -121
1102 9114	Connector - 353297-1	145 -122
1102 9116	Connector - 353297-5	139 -108
1102 9116	Connector - 353297-5	135 -108
1102 9117	Connector - 353297-8	145 -123
1102 9120	Connector - 2-292208-2	145 -124
1102 9121	Connector: 2-353308-4	145 -125
1102 9336	Connector: FPS009-2300-0	123 -106
1102 9782	Connector: 51405-1819	103 -108
1102 9890	Connector: 5-1605706-2	123 -107
1102 9956	Connector: UBA-4R-D14T-4D(LF)(SN)	123 -108
1103 3158	Connector - FH12-10S-0.5SV(89)	135 -109
1103 3158	Connector - FH12-10S-0.5SV(89)	139 -109
1103 3167	Connector: FH12-28S-0.5SH(89)	135 -110
1103 3167	Connector: FH12-28S-0.5SH(89)	139 -110
1103 3175	Connector - FH12-40S-0.5SV(89)	139 -111
1103 3175	Connector - FH12-40S-0.5SV(89)	135 -111
1103 3188	Connector: FH12S-50S-0.5SH(89)	139 -112
1103 3188	Connector: FH12S-50S-0.5SH(89)	145 -126
1103 3188	Connector: FH12S-50S-0.5SH(89)	135 -112
1103 3736	Connector: FH12S-45S-0.5SH(89)	135 -113
1103 3736	Connector: FH12S-45S-0.5SH(89)	139 -113
1103 4043	Connector: 87825-1001	123 -109
1103 4234	RHM-176P-SDK11-UH1L1C(LF)(SN)	123 -105
1104 0821	IC Socket: 16008-B0A0020N	135 -114
1104 0821	IC Socket: 16008-B0A0020N	139 -114
1104 0821	IC Socket: 16008-B0A0020N	123 -147
1105 0032	Clamp	17 - 104
1105 0195	PCB Stud	47 - 113
1105 0367	Spacer	105 -106
1105 0367	Spacer	93 - 102
1105 0460	Clamp	47 - 109

Part No.	Description	Page and Index No.
1105 0487	Harness Clamp	61 - 104
1105 0487	Harness Clamp	105 -104
1105 0487	Harness Clamp	91 - 108
1105 0487	Harness Clamp	101 -107
1105 0487	Harness Clamp	37 - 106
1105 0487	Harness Clamp	103 -105
1105 0487	Harness Clamp	85 - 105
1105 0487	Harness Clamp	107 -107
1105 0488	Harness Clamp	47 - 107
1105 0488	Harness Clamp	97 - 105
1105 0488	Harness Clamp	103 -103
1105 0489	Harness Clamp - LWS 1316	103 -104
1105 0489	Harness Clamp - LWS 1316	105 -105
1105 0508	Harness Clamp - LWS-0711	47 - 111
1105 0511	Harness Clamp - LWS-0306ZC	33 - 103
1105 0511	Harness Clamp - LWS-0306ZC	37 - 104
1105 0511	Harness Clamp - LWS-0306ZC	47 - 112
1105 0511	Harness Clamp - LWS-0306ZC	81 - 105
1105 0511	Harness Clamp - LWS-0306ZC	79 - 104
1105 0511	Harness Clamp - LWS-0306ZC	35 - 105
1105 0511	Harness Clamp - LWS-0306ZC	41 - 108
1105 0511	Harness Clamp - LWS-0306ZC	57 - 113
1105 0511	Harness Clamp - LWS-0306ZC	91 - 106
1105 0511	Harness Clamp - LWS-0306ZC	29 - 108
1105 0511	Harness Clamp - LWS-0306ZC	17 - 103
1105 0511	Harness Clamp - LWS-0306ZC	89 - 108
1105 0511	Harness Clamp - LWS-0306ZC	53 - 105
1105 0511	Harness Clamp - LWS-0306ZC	85 - 106
1105 0511	Harness Clamp - LWS-0306ZC	87 - 107
1105 0511	Harness Clamp - LWS-0306ZC	45 - 105
1105 0514	Edge Saddle - EDS-0607I	29 - 107
1105 0514	Edge Saddle - EDS-0607I	37 - 107
1105 0516	Clamp	45 - 106
1105 0516	Clamp	47 - 105
1105 0516	Clamp	61 - 105

Part No.	Description	Page and Index No.
1105 0516	Clamp	33 - 104
1105 0516	Clamp	23 - 107
1105 0516	Clamp	21 - 104
1105 0516	Clamp	87 - 108
1105 0517	Harness Clamp - LWS-2111Z	47 - 108
1105 0518	Edge Saddle - LES-1010	47 - 106
1105 0522	Edge Saddle - LES0510	57 - 110
1105 0522	Edge Saddle - LES0510	103 -107
1105 0522	Edge Saddle - LES0510	41 - 107
1105 0522	Edge Saddle - LES0510	37 - 105
1105 0522	Edge Saddle - LES0510	91 - 107
1105 0522	Edge Saddle - LES0510	109 -105
1105 0534	Clamp	45 - 104
1105 0534	Clamp	43 - 105
1105 0534	Clamp	93 - 108
1105 0534	Clamp	101 -108
1105 0544	Edge Saddle: LES-2017	41 - 109
1105 0551	Clamp: LES-0505	89 - 107
1105 0551	Clamp: LES-0505	81 - 107
1105 0551	Clamp: LES-0505	57 - 112
1105 0568	Clamp: LWSS-0504	59 - 105
1105 0613	Clamp: EDS-1010L-V0	91 - 109
1105 0623	Clamp - LBWS-0206S-V0	93 - 109
1105 0623	Clamp - LBWS-0206S-V0	83 - 104
1107 1083	Fuse: SST 4	123 -110
1107 1099	Fuse SST 5	123 -111
1109 0009	IC - MINISMDC075-02	123 -112
1109 0082	Fuse: SMD1812P110TF	145 -127
1150 0373	Power Supply Code: 125V 15A NA	13 - 105
1150 0377	Power Supply Code: 250V: 10A: EU	13 - 105
1204 2521	Micro Switch	101 -106
1204 2608	Rocker Switch: SDDJE33900	105 -108
1204 2768	Dip Switch: NDIR-08HT-V	145 -128
1204 2791	DIP Switch: DM-04-V	123 -113
1206 0124	Lithium Cell: CR2032VO4H/Z	123 -114

Part No.	Description	Page and Index No.
1400 0728	Transistor - 2SD2170	145 -129
1400 0902	Transistor - DTA113ZUA	145 -130
1400 1209	Transistor: 2SA1980UF	145 -131
1400 1212	Transistor: 2SA1980UF-Y	145 -132
1400 1214	Transistor: 2SC5343UF-G	145 -133
1400 1240	Transistor: SRC1202UF	135 -115
1400 1240	Transistor: SRC1202UF	145 -134
1400 1240	Transistor: SRC1202UF	139 -115
1400 1241	Transistor: SRC1206UF	135 -116
1400 1241	Transistor: SRC1206UF	145 -135
1400 1241	Transistor: SRC1206UF	139 -116
1400 1243	Transistor: SRC1210UF	139 -117
1400 1243	Transistor: SRC1210UF	135 -117
1400 1244	Transistor: SRA2206UF	139 -118
1400 1244	Transistor: SRA2206UF	135 -118
1400 1246	Transistor: SRC1205UF	145 -136
1400 1258	Transistor: 2SA1980UF-G	145 -137
1400 1259	Transistor: 2SC5343UF-L	145 -138
1401 0972	Transistor-2SB1260	145 -139
1401 1318	FET - HAT2198R	123 -115
1401 1414	FET: Si3433BDV-E3	135 -119
1401 1414	FET: Si3433BDV-E3	139 -119
1401 1414	FET: Si3433BDV-E3	123 -116
1401 1415	FET: Si3434DV-E3	123 -117
1401 1448	FET: Si3447BDV-E3	123 -118
1401 1457	FET: TPCP8102	123 -119
1401 1466	FET: Si4800BDY-E3	123 -120
1401 1475	FET: Si3867DV-E3	123 -121
1402 1336	Diode - 1SS355	123 -122
1402 1365	Diode-RB751V-40	123 -123
1402 1662	Diode: PTZ6.2B	145 -140
1402 1663	Diode - ZTP12B	145 -141
1402 1798	Diode - RSX30	135 -120
1402 1798	Diode - RSX30	139 -120
1402 1929	Diode: RB160M-30	123 -124

Part No.	Description	Page and Index No.
1402 1932	Diode: SDS142WMF	145 -142
1402 1952	Diode - TDZ12	145 -143
1402 1996	Diode: SDS511Q	145 -144
1402 2039	Diode: RSX301LA-30	123 -125
1403 0953	LED - SML-310MT	123 -126
1403 0978	LED - SML-310DT	139 -121
1403 0978	LED - SML-310DT	135 -121
1403 0978	LED - SML-310DT	123 -127
1403 0996	LED - SML-310VT	139 -122
1403 0996	LED - SML-310VT	135 -122
1403 1131	LED: SML-311UT	123 -128
1404 0360	Thermistor - 103HT	145 -145
1407 1535	IC - TD62308AP	145 -146
1407 2187	TTLIC - SN74LS07NS	145 -147
1407 2187	TTLIC - SN74LS07NS	139 -123
1407 2219	IC - TD62003AP	145 -148
1407 4840	IC - TC7SH04FU	135 -123
1407 4840	IC - TC7SH04FU	139 -124
1407 4840	IC - TC7SH04FU	145 -149
1407 4919	IC - 74VHCT244 TSSOP	123 -129
1407 5009	CMOS Logic: TC7SET04FU	123 -130
1407 5010	IC - TC7SET08FU	123 -131
1407 5190	CMOS Logic: TC7SZ08FU	123 -132
1407 5192	CMOS Logic: TC7SZ04FU	123 -133
1407 5300	CMOS Logic - 74LVC16244A TSSOP	123 -134
1407 5344	IC - SN74LV02APW	145 -150
1407 5346	IC - SN74LS74ANS	139 -125
1407 5346	IC - SN74LS74ANS	135 -124
1407 5347	IC - SN74LV08APW	135 -125
1407 5347	IC - SN74LV08APW	145 -151
1407 5347	IC - SN74LV08APW	139 -126
1407 5351	IC - SN74LV14APW	135 -126
1407 5351	IC - SN74LV14APW	123 -135
1407 5351	IC - SN74LV14APW	139 -127
1407 5351	IC - SN74LV14APW	145 -152

Part No.	Description	Page and Index No.
1407 5353	IC - SN74LV244APW	139 -128
1407 5353	IC - SN74LV244APW	135 -127
1407 5368	IC - 74LVC245A TSSOP	139 -129
1407 5392	IC: SN74LV541APW	145 -153
1407 5392	IC: SN74LV541APW	139 -130
1407 5392	IC: SN74LV541APW	135 -128
1407 5463	IC - SN74LV245APW	139 -131
1407 5463	IC - SN74LV245APW	135 -129
1407 5469	IC - SN74LV07APW	145 -154
1407 5482	IC - SN74LVC07APW	123 -136
1407 5520	CMOS Logic: SN74LVC125APW	123 -137
1407 5523	ROM - I2C SOP 3V	123 -138
1407 5528	IC - SN74LVC126APW	123 -139
1407 5604	CMOS Logic: SN74LVC16245ADGG	123 -140
1407 5633	IC - SN74LV574APW	139 -132
1407 5633	IC - SN74LV574APW	135 -130
1407 5713	IC: SN74LV06APW	135 -131
1407 5713	IC: SN74LV06APW	139 -133
1407 5773	CMOS Logic: SN74LVC541APW	139 -134
1407 6145	IC: SN74LVC373APW	123 -141
1407 6166	IC - ESOC	135 -132
1407 6166	IC - ESOC	139 -135
1407 6196	Motor Control IC: STK672-610	145 -155
1407 6197	Driver: M54563P	145 -156
1407 6232	LVDS: THC63LVD104A (Color Only)	135 -133
1407 6265	Real Time Clock: R2025S	123 -142
1407 6314	Motor Control IC: TB6561NG	145 -157
1407 6320	Motor Control IC: MTD1501S-7101	145 -158
1407 6362	EEPROM: BR24164-W	105 -110
1407 6386	CPU: RM7035C-533L-REV1.1	123 -143
1407 6400	Clock Generator - ICS960013BFLF	123 -144
1407 6430	IC - GAVD Type-R	135 -134
1407 6430	IC - GAVD Type-R	139 -136
1407 6466	Field Memory: 3M: x12: 3.3V (Color Only)	135 -135
1407 6492	Clock Generator - ICS180M-51LF	145 -159

Part No.	Description	Page and Index No.
1407 6613	Clock Generator: ICS7152M-01LF	135 -136
1407 6613	Clock Generator: ICS7152M-01LF	139 -137
1407 6641	Custom IC: LEO	135 -137
1407 6641	Custom IC: LEO	139 -138
1407 6671	USB Controller: UPD720102GC-YEB-A	123 -145
1407 6723	Custom IC: Cornet	123 -146
1407 6741	LAN Controller LSI: DP83848JSQ/NOPB	123 -148
1407 6751	CMOS Logic: HD74LV1GW07ACM	123 -149
1407 6759	Custom IC: EIO	145 -160
1407 6787	CMOS Logic: TC7SH125FU	135 -138
1407 6787	CMOS Logic: TC7SH125FU	139 -139
1407 6801	CMOS Logic: TC7PA17FU	139 -140
1407 6801	CMOS Logic: TC7PA17FU	135 -139
1407 6801	CMOS Logic: TC7PA17FU	123 -150
1407 6803	CMOS Logic: TC7SZ07FU	135 -140
1407 6803	CMOS Logic: TC7SZ07FU	123 -151
1407 6803	CMOS Logic: TC7SZ07FU	139 -141
1407 6823	Custom IC: GASIU	139 -142
1407 6847	Motor Control IC: STK672-600B-E	145 -161
1407 6853	CMOS Logic: HD74LV1GW17ACM	123 -152
1407 6863	Controller: ST19WP18FT28PVG1	123 -153
1407 6898	CMOS Logic: TC7WH126FK	123 -154
1407 6899	CMOS Logic: TC7WH125FK	123 -155
1407 6944	USB Controller IC: ST72681/R21	123 -156
1407 6951	CMOS Logic: TC7MBL3245SFK	123 -157
1407 7190	Controller: RB5V871A	139 -143
1407 7190	Controller: RB5V871A	135 -141
1408 1204	IC - TA8083P	145 -162
1408 1383	Regulator - TA7812F	145 -163
1408 1779	IC - R3112Q281A	139 -144
1408 1779	IC - R3112Q281A	135 -142
1408 1779	IC - R3112Q281A	145 -164
1408 1826	IC - R3112Q421A	123 -158
1408 1826	IC - R3112Q421A	139 -145
1408 1826	IC - R3112Q421A	145 -165

Part No.	Description	Page and Index No.
1408 1826	IC - R3112Q421A	135 -143
1408 1829	Op Amp - LM358PW	135 -144
1408 1829	Op Amp - LM358PW	139 -146
1408 1850	Regulator - R1170H181B	139 -147
1408 1850	Regulator - R1170H181B	135 -145
1408 1907	IC: R3112Q451A-FA	135 -146
1408 1907	IC: R3112Q451A-FA	139 -148
1408 2024	IC: R3112Q261A-FA	139 -149
1408 2024	IC: R3112Q261A-FA	135 -147
1408 2029	Comparator: LM2901PW	145 -166
1408 2030	Operational Amplifier - LM224D	145 -167
1408 2053	IC: R3112Q291A-FA	123 -159
1408 2062	IC: R3112Q221A-FA	123 -160
1408 2087	IC: LTC3736E μ F#TRPBF	123 -161
1408 2088	IC: LTC3701EGN#TRPBF	139 -150
1408 2088	IC: LTC3701EGN#TRPBF	135 -148
1408 2122	Series Regulator - R1130H331A-FB	145 -168
1408 2180	IC - BD3531F	123 -162
1408 2449	DC/DC Converter: BD9104FVM	123 -163
1408 2463	DDR Terminator - TPS51116PWPG4	123 -164
1408 2468	IC: R1250V401A-F	145 -169
1408 2484	IC: LTC3808EDE#PBF	123 -165
1408 2524	Series Regulator: R1171S181B-F	139 -151
1408 2524	Series Regulator: R1171S181B-F	135 -149
1503 1004	Oscillator - 19.6608MHz	145 -170
1503 1110	Crystal Oscillator: 28.7MHz	135 -150
1503 1110	Crystal Oscillator: 28.7MHz	139 -152
1503 1138	Crystal Oscillator - 48MHz	123 -166
1503 1215	Crystal Oscillator - 17.5MHz	135 -151
1503 1215	Crystal Oscillator - 17.5MHz	139 -153
1503 1355	Crystal Oscillator: 25MHz	123 -167
1503 1362	Crystal Oscillator: 30MHz	123 -168
1503 1363	Crystal Oscillator: 12MHz	123 -169
1503 1379	Crystal Oscillator: 14.31818MHz	123 -170
1600 1880	Resistor - 25M Ω \pm 1% 1W	135 -152

Part No.	Description	Page and Index No.
1600 1880	Resistor - 25M Ω ±1% 1W	139 -154
1601 7887	Resistor Array - 10K Ω ±5% 1/32W	123 -171
1601 7896	Resistor Array - 56 Ω ±5% 1/32W	123 -172
1601 7898	Resistor Array	123 -173
1601 7913	Resistor 22 Ω ±5% 1/32W	123 -174
1601 7914	Resistor Array - 47 Ω ±5%	123 -175
1601 7959	Resistor	123 -176
1601 7981	Resistor Array - 100K Ω ±5%1/16W	123 -177
1604 4661	Capacitor - 100 μ F ±20% 50V	145 -171
1604 4728	Capacitor - 100 μ F ±20% 16V	135 -153
1604 4728	Capacitor - 100 μ F ±20% 16V	139 -155
1604 4825	Capacitor - 220 μ F ±20% 35V	145 -172
1604 4968	Capacitor: 330 μ F: ±20%: 6.3V	135 -154
1604 4968	Capacitor: 330 μ F: ±20%: 6.3V	139 -156
1604 5186	Capacitor: 220 μ F: ±20%: 10V	135 -155
1604 5186	Capacitor: 220 μ F: ±20%: 10V	139 -157
1604 5452	Capacitor: 47 μ F: ±20%: 10V	145 -173
1604 5524	Capacitor - 100 μ F ±20% 50V	145 -174
1604 5669	Capacitor: 470 μ F: ±20%: 25V	145 -175
1604 5670	Capacitor: 10 μ F: ±20%: 25V	145 -176
1604 5724	Capacitor: 100 μ F: ±20%: 2V	123 -178
1605 1124	Capacitor - 4.7 μ F +80 -20% 10V	135 -156
1605 1124	Capacitor - 4.7 μ F +80 -20% 10V	123 -179
1605 1124	Capacitor - 4.7 μ F +80 -20% 10V	139 -158
1605 1137	Capacitor - 470pF ±10% 50V	145 -177
1605 1148	Capacitor - 0.1 μ F +80-20% 50V	139 -159
1605 1148	Capacitor - 0.1 μ F +80-20% 50V	135 -157
1605 1148	Capacitor - 0.1 μ F +80-20% 50V	145 -178
1605 1176	Ceramic Capacitor 0.47 μ F +80-20%16V	139 -160
1605 1176	Ceramic Capacitor 0.47 μ F +80-20%16V	135 -158
1605 1197	Capacitor - 6pF ±0.5pF 50V	123 -180
1605 1199	Capacitor - 8pF ±0.5pF 50V	123 -181
1605 1200	Capacitor - 10pF ±0.5pF 50V	123 -182
1605 1201	Capacitor - 12pF ±5% 50V	139 -161
1605 1201	Capacitor - 12pF ±5% 50V	135 -159

Part No.	Description	Page and Index No.
1605 1202	Capacitor - 15pF ±5% 50V	139 -162
1605 1202	Capacitor - 15pF ±5% 50V	135 -160
1605 1204	Capacitor-pF50V	123 -183
1605 1205	Capacitor - 33pF ±5% 50V	135 -161
1605 1205	Capacitor - 33pF ±5% 50V	139 -163
1605 1206	Capacitor - 47pF ±5% 50V	135 -162
1605 1206	Capacitor - 47pF ±5% 50V	145 -179
1605 1206	Capacitor - 47pF ±5% 50V	123 -184
1605 1206	Capacitor - 47pF ±5% 50V	139 -164
1605 1207	Capacitor - 68pF ±5% 50V	123 -185
1605 1207	Capacitor - 68pF ±5% 50V	139 -165
1605 1207	Capacitor - 68pF ±5% 50V	135 -163
1605 1208	Capacitor: 100pF: ±5%: 50V	123 -186
1605 1208	Capacitor: 100pF: ±5%: 50V	135 -164
1605 1208	Capacitor: 100pF: ±5%: 50V	139 -166
1605 1210	Capacitor: 180pF: ±5%: 50V	135 -165
1605 1210	Capacitor: 180pF: ±5%: 50V	139 -167
1605 1211	Capacitor - 220pF ±10% 50V	135 -166
1605 1211	Capacitor - 220pF ±10% 50V	139 -168
1605 1211	Capacitor - 220pF ±10% 50V	123 -187
1605 1212	Capacitor - 470pF ±10% 50V	123 -188
1605 1212	Capacitor - 470pF ±10% 50V	139 -169
1605 1212	Capacitor - 470pF ±10% 50V	135 -167
1605 1212	Capacitor - 470pF ±10% 50V	145 -180
1605 1214	Capacitor - 1000pF ±10% 50V	139 -170
1605 1214	Capacitor - 1000pF ±10% 50V	145 -181
1605 1214	Capacitor - 1000pF ±10% 50V	135 -168
1605 1214	Capacitor - 1000pF ±10% 50V	123 -189
1605 1216	Capacitor - 2200pF±10%50V	139 -171
1605 1216	Capacitor - 2200pF±10%50V	123 -190
1605 1216	Capacitor - 2200pF±10%50V	145 -182
1605 1216	Capacitor - 2200pF±10%50V	135 -169
1605 1218	Capacitor: 4700pF: ±10%: 25V	123 -191
1605 1221	Capacitor - 0.1 μ F+80-20%16V	135 -170
1605 1221	Capacitor - 0.1 μ F+80-20%16V	139 -172

Part No.	Description	Page and Index No.
1605 1221	Capacitor - 0.1 μ F+80-20%16V	123 -192
1605 1221	Capacitor - 0.1 μ F+80-20%16V	135 -244
1605 1234	Capacitor: 4700pF: \pm 10%: 50V	139 -173
1605 1234	Capacitor: 4700pF: \pm 10%: 50V	145 -183
1605 1240	Capacitor - 0.01 μ F \pm 10% 25V	139 -174
1605 1240	Capacitor - 0.01 μ F \pm 10% 25V	135 -171
1605 1240	Capacitor - 0.01 μ F \pm 10% 25V	123 -193
1605 1281	Capacitor - 0.22 μ F \pm 10% 16V	145 -184
1605 1282	Capacitor: 22 μ F: +80-20%: 10V	135 -172
1605 1282	Capacitor: 22 μ F: +80-20%: 10V	139 -175
1605 1284	Capacitor: 1500pF: \pm 10%: 50V	123 -194
1605 1285	Capacitor - 3300pF \pm 10% 50V	135 -173
1605 1285	Capacitor - 3300pF \pm 10% 50V	139 -176
1605 1289	Capacitor - 0.1 μ F \pm 10% 10V	139 -177
1605 1289	Capacitor - 0.1 μ F \pm 10% 10V	135 -174
1605 1289	Capacitor - 0.1 μ F \pm 10% 10V	123 -195
1605 1291	Capacitor: 2.2 μ F: \pm 10%: 10V	123 -196
1605 1293	Capacitor - 27pF \pm 5%50V	145 -185
1605 1293	Capacitor - 27pF \pm 5%50V	123 -197
1605 1294	Resistor - 1000pF \pm 5% 50V	145 -186
1605 1295	Capacitor: 10 μ F: +80-20%: 10V	123 -198
1605 1295	Capacitor: 10 μ F: +80-20%: 10V	139 -178
1605 1295	Capacitor: 10 μ F: +80-20%: 10V	135 -175
1605 1296	Capacitor - 330pF \pm 10% 50V	135 -176
1605 1296	Capacitor - 330pF \pm 10% 50V	139 -179
1605 1296	Capacitor - 330pF \pm 10% 50V	123 -199
1605 1299	Resistor - 56pF \pm 5% 50V	135 -177
1605 1299	Resistor - 56pF \pm 5% 50V	139 -180
1605 1301	Capacitor-6800pF \pm 10% 50V	123 -200
1605 1303	Capacitor - 0.01 μ F +80-20% 50V	139 -181
1605 1303	Capacitor - 0.01 μ F +80-20% 50V	135 -178
1605 1303	Capacitor - 0.01 μ F +80-20% 50V	145 -187
1605 1305	Capacitor - 1 μ F +80-20% 6.3V	135 -179
1605 1305	Capacitor - 1 μ F +80-20% 6.3V	139 -182
1605 1306	Capacitor - 1 μ F \pm 10% 10V	123 -201

Part No.	Description	Page and Index No.
1605 1307	Capacitor - 2.2 μ F +80-20% 11V	123 -202
1605 1347	Capacitor - 1 μ F: +80-20%: 16V	139 -183
1605 1347	Capacitor - 1 μ F: +80-20%: 16V	135 -180
1605 1353	Capacitor - 0.1 μ F \pm 10% 25V	145 -188
1605 1354	Capacitor: 1200pF: \pm 5%: 50V	145 -189
1605 1358	Capacitor - 10 μ F \pm 10% 10V	123 -203
1605 1367	Capacitor - 0.033 μ F \pm 10% 16V	139 -184
1605 1376	Capacitor - 0.033 μ F - \pm 10%: 25V	123 -204
1605 1387	Capacitor - 0.68 μ F \pm 10% 10V	135 -181
1605 1387	Capacitor - 0.68 μ F \pm 10% 10V	139 -185
1605 1391	Capacitor - 22 μ F: \pm 20%: 6.3V	135 -182
1605 1391	Capacitor - 22 μ F: \pm 20%: 6.3V	139 -186
1605 1396	Capacitor - 0.33 μ F \pm 10% 50V	145 -190
1605 1406	Capacitor - 10 μ F \pm 10% 6.3V	123 -205
1605 1447	Resistor - 470pF \pm 5% 50V	145 -191
1605 1451	Capacitor: 0.47 μ F: \pm 10%: 6.3V	123 -206
1605 1452	Capacitor - 1 μ F \pm 10% 6.3V	123 -207
1605 1453	Capacitor: 0.022 μ F: \pm 10%: 16V	139 -187
1605 1474	Capacitor - 47 μ F \pm 20% 6.3V	135 -183
1605 1474	Capacitor - 47 μ F \pm 20% 6.3V	123 -208
1605 1474	Capacitor - 47 μ F \pm 20% 6.3V	139 -188
1605 1475	Resistor - 1 μ F \pm 10% 16V	123 -209
1605 1481	Capacitor: 1000pF: \pm 20%: 50V	145 -192
1605 1489	Resistor - 2.2 μ F \pm 10% 25V	145 -193
1605 1531	Capacitor: 470pF: \pm 20%: 50V	145 -194
1605 1544	Resistor - 330pF \pm 5% 50V	135 -184
1605 1544	Resistor - 330pF \pm 5% 50V	139 -189
1605 1544	Resistor - 330pF \pm 5% 50V	123 -210
1605 1563	Capacitor: 10 μ F: \pm 10%: 10V	123 -211
1605 1583	Capacitor - 0.1 μ F: \pm 10%: 16V	123 -212
1605 1587	Capacitor: 22 μ F: \pm 20%: 6.3V	123 -213
1605 1602	Capacitor: 3.3 μ F: \pm 10%: 6.3V	123 -214
1605 1605	Capacitor - 4.7 μ F \pm 10% 10V	145 -195
1605 1605	Capacitor - 4.7 μ F \pm 10% 10V	123 -215
1605 1607	Capacitor: 22 μ F: +80-20%: 6.3V	123 -216

Part No.	Description	Page and Index No.
1605 1681	Capacitor: 22 μ F: \pm 20%: 10V	123 -314
1605 1689	Capacitor: 100 μ F: \pm 20%: 6.3V	123 -217
1605 1692	Capacitor: 47pF: \pm 10%: 50V	135 -185
1605 1692	Capacitor: 47pF: \pm 10%: 50V	139 -190
1606 2319	Capacitor: 100 μ F: \pm 20%: 6.3V	123 -218
1607 0861	Filter - BK2125HS101	139 -191
1607 0861	Filter - BK2125HS101	135 -186
1607 1002	IC - NFM60R30T222	135 -187
1607 1002	IC - NFM60R30T222	139 -192
1607 1014	EMI Filter - BLM11P600SPB	123 -219
1607 1051	Filter - FBMJ2125HS420	123 -220
1607 1061	Filter - BLM11P300SPB	123 -221
1607 1108	Filter - BLM21PG220SN1B	139 -193
1607 1108	Filter - BLM21PG220SN1B	135 -188
1607 1199	Filter - BLM21PG600SN1B	123 -222
1607 1222	Inductor - 3.3UH \pm 20% 2.5A	139 -194
1607 1222	Inductor - 3.3UH \pm 20% 2.5A	135 -189
1607 1340	Inductor: SLF7045-220MR90-PF	135 -190
1607 1340	Inductor: SLF7045-220MR90-PF	139 -195
1607 1351	Filter BLM21PG221SN1B	139 -196
1607 1351	Filter BLM21PG221SN1B	135 -191
1607 1477	Inductor - RLF7030-4R7M3R4	123 -223
1607 1546	Inductor - SLF6028-220MR77-PF	139 -197
1607 1546	Inductor - SLF6028-220MR77-PF	135 -192
1607 1556	Inductor: RLF7030-1R5N6R1	123 -224
1607 1567	Filter: MPZ2012S101A	123 -225
1607 1572	Filter: MPZ1608S101A	123 -226
1607 1637	Coil: ACM2012-900-2P	123 -227
1607 1680	Inductor: SLF6028-6R8M1R5-PF	135 -193
1607 1680	Inductor: SLF6028-6R8M1R5-PF	139 -198
1607 1827	Inductor: RLF7030-2R2M5R4	135 -194
1607 1827	Inductor: RLF7030-2R2M5R4	123 -228
1607 1827	Inductor: RLF7030-2R2M5R4	139 -199
1607 1946	Inductor: VLF10040-2R2N7R1	123 -229
1609 0005	Resistor: 33 Ω : \pm 5%: 1/16W	135 -195

Part No.	Description	Page and Index No.
1609 0005	Resistor: 33 Ω : \pm 5%: 1/16W	139 -200
1609 0005	Resistor: 33 Ω : \pm 5%: 1/16W	145 -196
1609 0005	Resistor: 33 Ω : \pm 5%: 1/16W	123 -230
1609 0006	Resistor: 10K Ω : \pm 5%: 1/16W	123 -231
1609 0006	Resistor: 10K Ω : \pm 5%: 1/16W	145 -197
1609 0006	Resistor: 10K Ω : \pm 5%: 1/16W	139 -201
1609 0006	Resistor: 10K Ω : \pm 5%: 1/16W	135 -196
1609 0007	Resistor - 68 Ω \pm 5% 1/16W	139 -202
1609 0007	Resistor - 68 Ω \pm 5% 1/16W	135 -197
1609 0007	Resistor - 68 Ω \pm 5% 1/16W	123 -232
1609 0011	Resistor: 22 Ω : \pm 5%: 1/16W	123 -233
1609 0016	Resistor: 56 Ω : \pm 5%: 1/16W	123 -234
1609 0019	Resistor: 0 Ω : 1608	135 -198
1609 0019	Resistor: 0 Ω : 1608	139 -203
1609 0020	Resistor: 10 Ω : \pm 5%: 1/16W	123 -235
1609 0026	Resistor - 47 Ω \pm 5% 1/16W	123 -236
1609 0027	Resistor - 100K Ω \pm 5% 1/16W	139 -204
1609 0027	Resistor - 100K Ω \pm 5% 1/16W	123 -237
1609 0027	Resistor - 100K Ω \pm 5% 1/16W	135 -199
1609 0061	Resistor Array: 4.7K Ω : \pm 5%: 1/16W: 4Number	135 -200
1609 0061	Resistor Array: 4.7K Ω : \pm 5%: 1/16W: 4Number	139 -205
1609 0062	Resistor Array: 10K Ω : \pm 5%: 1/16W: 4Number	135 -201
1609 0062	Resistor Array: 10K Ω : \pm 5%: 1/16W: 4Number	139 -206
1609 0063	Resistor Array: 100 Ω : \pm 5%: 1/16W: 4Number	139 -207
1609 0063	Resistor Array: 100 Ω : \pm 5%: 1/16W: 4Number	135 -202
1609 0064	Resistor Array: 33 Ω : \pm 5%: 1/16W: 4Number	139 -208
1609 0064	Resistor Array: 33 Ω : \pm 5%: 1/16W: 4Number	135 -203
1609 0065	Resistor Array: 68 Ω : \pm 5%: 1/16W: 4Number	135 -204
1609 0065	Resistor Array: 68 Ω : \pm 5%: 1/16W: 4Number	139 -209
1609 0067	Resistor Array: 100K Ω : \pm 5%: 1/16W: 4Number	139 -210
1609 0067	Resistor Array: 100K Ω : \pm 5%: 1/16W: 4Number	135 -205
1609 0096	Resistor Array: 10K Ω : \pm 5%: 1/16W: 4Number	145 -198
1609 0098	Resistor Array: 33 Ω : \pm 5%: 1/16W: 4Number	145 -199
1609 0111	Resistor Array: 1K Ω : \pm 5%: 1/16W: 4Number	145 -200
1609 0114	Resistor Array: 68 Ω : \pm 5%: 1/16W: 4Number	145 -201

Part No.	Description	Page and Index No.
1610 1409	Chip Resistor - 6.8Ω ±5%	145 -202
1610 1420	Resistor - 0.075Ω ±1% 0.5W	135 -206
1610 1420	Resistor - 0.075Ω ±1% 0.5W	139 -211
1610 1735	Resistor: 0.05 Ω: ±1%: 1W	139 -212
1610 1735	Resistor: 0.05 Ω: ±1%: 1W	135 -207
1610 1877	Resistor: 0.24 Ω: ±1%: 2W	139 -213
1610 1877	Resistor: 0.24 Ω: ±1%: 2W	135 -208
1610 1900	Resistor: 56K Ω: ±0.5%: 1/16W 1005	123 -238
1610 1947	Resistor: 220 Ω: ±5%: 1W: 6332	145 -203
1610 1997	Resistor: 1.5 Ω: ±1%: 1W: 6332	145 -204
1610 2045	Resistor: 115KΩ: ±0.1%: 1/10W: 2125	123 -239
1610 2046	Resistor: 25.5KΩ: ±0.1%: 1/10W: 2125	123 -240
1610 2047	Resistor: 30.1KΩ: ±0.1%: 1/10W: 2125	123 -241
1610 2049	Resistor: 1.8 Ω: ±1%: 1W: 6332	145 -205
1623 1003	Resistor: 100K Ω: ±1%: 1/4W	135 -246
1633 0000	Resistor - 0 Ω 1/10W	135 -209
1633 0000	Resistor - 0 Ω 1/10W	139 -214
1633 0000	Resistor - 0 Ω 1/10W	123 -242
1634 0000	Resistor - 0 Ω 1/16W	135 -210
1634 0000	Resistor - 0 Ω 1/16W	139 -215
1634 0000	Resistor - 0 Ω 1/16W	123 -243
1634 0000	Resistor - 0 Ω 1/16W	145 -206
1640 5100	Capacitor - 10μF +20% 50	145 -207
1650 2101	Resistor - 100Ω ±5% 1/4W	145 -208
1650 2682	Resistor - 6.8KΩ ±5% 1/4W	145 -209
1650 3153	Resistor: 15KΩ: ±5%: 1/8W	145 -210
1650 3470	Resistor: 47 Ω: ±5%: 1/8W: 2125	139 -216
1650 4101	Resistor - 100Ω±5%1/10W	123 -244
1650 4101	Resistor - 100Ω±5%1/10W	145 -211
1650 4102	Resistor - 1KΩ ±5% 1/10W	145 -212
1650 4103	Resistor - 10KΩ ±5% 1/10W	145 -213
1650 4104	Resistor - 100KΩ±5%1/10W	145 -214
1650 4105	Resistor - 1MΩ ±5% 1/10W	145 -215
1650 4222	Resistor - 2.2KΩ±5%1/10W	145 -216
1650 4223	Resistor - 22KΩ±5%1/10W	145 -217

Part No.	Description	Page and Index No.
1650 4330	Chip Resistor - 33Ω ±5% 1/10W	145 -218
1650 4470	Resistor - 47Ω±5%1/10W	123 -245
1650 4472	Resistor - 4.7KΩ ±5% 1/10W	145 -219
1650 4472	Resistor - 4.7KΩ ±5% 1/10W	123 -246
1650 4472	Resistor - 4.7KΩ ±5% 1/10W	135 -245
1650 4510	Resistor - 51Ω±5%1/10W	145 -220
1650 4560	Chip Resistor - 56Ω ±5% 1/10W	145 -221
1650 4621	Resistor - 620Ω ±5% 1/10W 1608	145 -222
1650 4681	Resistor - 680Ω ±5% 1/10W	135 -211
1650 4681	Resistor - 680Ω ±5% 1/10W	145 -223
1650 4681	Resistor - 680Ω ±5% 1/10W	139 -217
1650 5100	Chip Resistor - 10 Ω±5%1/16W	139 -218
1650 5100	Chip Resistor - 10 Ω±5%1/16W	145 -224
1650 5100	Chip Resistor - 10 Ω±5%1/16W	135 -212
1650 5101	Chip Resistor - 100 Ω±5%1/16W	139 -219
1650 5101	Chip Resistor - 100 Ω±5%1/16W	123 -247
1650 5101	Chip Resistor - 100 Ω±5%1/16W	135 -213
1650 5102	Chip Resistor - 1KΩ±5%1/16W	135 -214
1650 5102	Chip Resistor - 1KΩ±5%1/16W	123 -248
1650 5102	Chip Resistor - 1KΩ±5%1/16W	145 -225
1650 5102	Chip Resistor - 1KΩ±5%1/16W	139 -220
1650 5103	Chip Resistor - 10KΩ±5%1/16W	145 -226
1650 5103	Chip Resistor - 10KΩ±5%1/16W	135 -215
1650 5103	Chip Resistor - 10KΩ±5%1/16W	139 -221
1650 5103	Chip Resistor - 10KΩ±5%1/16W	123 -249
1650 5104	Chip Resistor - 100KΩ±5%1/16W	135 -216
1650 5104	Chip Resistor - 100KΩ±5%1/16W	145 -227
1650 5104	Chip Resistor - 100KΩ±5%1/16W	139 -222
1650 5104	Chip Resistor - 100KΩ±5%1/16W	123 -250
1650 5105	Chip Resistor - 1MΩ±5%1/16W	135 -217
1650 5105	Chip Resistor - 1MΩ±5%1/16W	139 -223
1650 5109	Chip Resistor 1Ω ±5% 1/16W	123 -251
1650 5122	Chip Resistor - 1.2KΩ±5%1/16W	123 -252
1650 5122	Chip Resistor - 1.2KΩ±5%1/16W	135 -218
1650 5122	Chip Resistor - 1.2KΩ±5%1/16W	139 -224

Part No.	Description	Page and Index No.
1650 5152	Chip Resistor: 1.5K Ω : \pm 5%: 1/16W	123 -253
1650 5203	Resistor - 20K Ω \pm 5% 1/16W	123 -254
1650 5204	Chip Resistor - 200K Ω \pm 5%1/16W	145 -228
1650 5220	Resistor - 22 Ω \pm 5% 1/16W	145 -229
1650 5220	Resistor - 22 Ω \pm 5% 1/16W	123 -255
1650 5220	Resistor - 22 Ω \pm 5% 1/16W	135 -219
1650 5221	Chip Resistor - 220 Ω \pm 5%1/16W	123 -256
1650 5222	Resistor - 2.2K Ω \pm 5% 1/16W	145 -230
1650 5222	Resistor - 2.2K Ω \pm 5% 1/16W	123 -257
1650 5222	Resistor - 2.2K Ω \pm 5% 1/16W	139 -225
1650 5222	Resistor - 2.2K Ω \pm 5% 1/16W	135 -220
1650 5244	Resistor: 240K Ω : \pm 5%: 1/16W: 1005	135 -221
1650 5244	Resistor: 240K Ω : \pm 5%: 1/16W: 1005	139 -226
1650 5272	Chip Resistor: 2.7K Ω : \pm 5%: 1/16W	123 -258
1650 5330	Chip Resistor - 33 Ω \pm 5%1/16W	139 -227
1650 5330	Chip Resistor - 33 Ω \pm 5%1/16W	135 -222
1650 5330	Chip Resistor - 33 Ω \pm 5%1/16W	123 -259
1650 5330	Chip Resistor - 33 Ω \pm 5%1/16W	145 -231
1650 5331	Resistor - 330 Ω \pm 5% 1/16W	139 -228
1650 5331	Resistor - 330 Ω \pm 5% 1/16W	135 -223
1650 5332	Resistor - 3.3K Ω \pm 5% 1/16W	135 -224
1650 5332	Resistor - 3.3K Ω \pm 5% 1/16W	139 -229
1650 5333	Resistor: 33K Ω : \pm 5%: 1/16W: 1005	135 -225
1650 5333	Resistor: 33K Ω : \pm 5%: 1/16W: 1005	139 -230
1650 5470	Chip Resistor 47 Ω \pm 5% 1/16W	123 -260
1650 5472	Chip Resistor: 4.7K Ω : \pm 5%: 1/16W	145 -232
1650 5472	Chip Resistor: 4.7K Ω : \pm 5%: 1/16W	135 -226
1650 5472	Chip Resistor: 4.7K Ω : \pm 5%: 1/16W	139 -231
1650 5472	Chip Resistor: 4.7K Ω : \pm 5%: 1/16W	123 -261
1650 5473	Chip Resistor - 47K Ω \pm 5% 1/16W	145 -233
1650 5511	Resistor - 510 Ω \pm 5% 1/16W	135 -227
1650 5511	Resistor - 510 Ω \pm 5% 1/16W	139 -232
1650 5513	Chip Resistor: 51K Ω : \pm 5%: 1/1W	139 -233
1650 5513	Chip Resistor: 51K Ω : \pm 5%: 1/1W	135 -228
1650 5560	Chip Resistor 56 Ω \pm 5% 1/16W	123 -262

Part No.	Description	Page and Index No.
1650 5561	Chip Resistor 560 Ω \pm 5% 1/16W	135 -229
1650 5561	Chip Resistor 560 Ω \pm 5% 1/16W	139 -234
1650 5621	Chip Resistor 620 Ω \pm 5% 1/16W	123 -263
1650 5680	Resistor - 68 Ω \pm 5% 1/16W	135 -230
1650 5680	Resistor - 68 Ω \pm 5% 1/16W	139 -235
1650 5680	Resistor - 68 Ω \pm 5% 1/16W	145 -234
1650 5682	Chip Resistor: 6.8K Ω : \pm 5%: 1/16W: 1005	139 -236
1650 5682	Chip Resistor: 6.8K Ω : \pm 5%: 1/16W: 1005	135 -231
1650 5683	Chip Resistor 68K Ω \pm 5% 1/16W	123 -264
1650 5822	Chip Resistor: 8.2K Ω : \pm 5%: 1/16W	123 -265
1654 1001	Resistor - 1K Ω \pm 1%1/10W	145 -235
1654 1002	Resistor - 10K Ω \pm 5%1/10W	123 -266
1654 1003	Resistor - 100K Ω \pm 1%1/10W	145 -236
1654 1004	Chip Resistor - 1M Ω \pm 1% 1/10W	123 -267
1654 1009	Resistor - 10 Ω \pm 1% 1/10W	123 -268
1654 1403	Resistor: 140K Ω : \pm 1%: 1/10W	145 -237
1654 1502	Resistor - 15K Ω \pm 1% 1/10W	123 -269
1654 1509	Chip Resistor: 15 Ω : \pm 1%: 1/10W	123 -270
1654 1601	Chip Resistor - 1.6K Ω \pm 1% 1/10W	145 -238
1654 1809	Resistor: 18 Ω : \pm 1%: 1/10W: 1608	123 -318
1654 2001	Chip Resistor - 2K Ω \pm 1% 1/10W	145 -239
1654 2002	Resistor - 20K Ω \pm 1%1/10W	145 -240
1654 2200	Resistor: 220 Ω : \pm 1%: 1/10W: 1608	123 -271
1654 2209	Resistor - 22 Ω \pm 1% 1/10W	123 -315
1654 2401	Resistor - 2.4K Ω \pm 1% 1/10W	145 -241
1654 3002	Resistor - 30K Ω \pm 1%1/10W	123 -272
1654 3301	Resistor - 3.3K Ω \pm 1% 1/10W	145 -242
1654 3309	Resistor - 33 Ω \pm 1% 1/10W	123 -316
1654 3601	Resistor - 3.6K Ω \pm 1% 1/10W	145 -243
1654 4709	Resistor - 47 Ω \pm 1% 1/10W	135 -232
1654 4709	Resistor - 47 Ω \pm 1% 1/10W	139 -237
1654 5109	Resistor: 51 Ω : \pm 1%: 1/10W	135 -233
1654 5109	Resistor: 51 Ω : \pm 1%: 1/10W	139 -238
1654 5601	Resistor - 5.6K Ω \pm 1% 1/10W	145 -244
1654 6201	Resistor - 6.2K Ω \pm 1% 1/10W	145 -245

Part No.	Description	Page and Index No.
1654 6800	Resistor - 680 Ω \pm 1% 1/10W	123 -273
1654 6801	Resistor - 6.8K Ω \pm 1% 1/10W	145 -246
1654 7501	Resistor - 7.5K Ω \pm 1%1/10W-1608	145 -247
1654 9100	Resistor: 910 Ω : \pm 1%: 1/10W: 1608	145 -248
1655 0000	Chip Resistor - 0 Ω \pm 0%1/16W	123 -274
1655 0000	Chip Resistor - 0 Ω \pm 0%1/16W	139 -239
1655 0000	Chip Resistor - 0 Ω \pm 0%1/16W	135 -234
1655 1000	Chip Resistor: 100 Ω : \pm 1%: 1/16W	123 -275
1655 1001	Chip Resistor - 1K Ω \pm 1% 1/16W	123 -276
1655 1001	Chip Resistor - 1K Ω \pm 1% 1/16W	145 -249
1655 1002	Chip Resistor - 10K Ω \pm 1%1/16W	145 -250
1655 1002	Chip Resistor - 10K Ω \pm 1%1/16W	123 -277
1655 1003	Chip Resistor - 100K Ω \pm 1%1/16W	123 -278
1655 1009	Resistor - 10 Ω \pm 1% 1/16W	123 -279
1655 1109	Resistor: 11 Ω : \pm 1%: 1/16W: 1005	123 -280
1655 1132	Resistor: 11.3K Ω : \pm 1%: 1/16W: 1005	123 -281
1655 1200	Resistor - 120 Ω \pm 1% 1/16W	123 -282
1655 1202	Resistor: 12K Ω : \pm 1%: 1/16W: 1005	135 -235
1655 1202	Resistor: 12K Ω : \pm 1%: 1/16W: 1005	139 -240
1655 1242	Resistor: 12.4K Ω : \pm 1%: 1/16W: 1005	123 -283
1655 1501	Chip Resistor 1.5K Ω \pm 1% 1/16W	123 -284
1655 1502	Resistor - 15K Ω \pm 1% 1/16W	123 -285
1655 1601	Resistor: 1.6K Ω : \pm 1%: 1/16W: 1005	123 -286
1655 1651	Resistor: 1.65K Ω : \pm 1%: 1/16W: 1005	123 -287
1655 2001	Resistor - 2K Ω \pm 1% 1/16W	139 -241
1655 2002	Chip Resistor - 20K Ω \pm 1%1/16W	145 -251
1655 2200	Resistor - 220 Ω \pm 1% 1/16W	123 -288
1655 2201	Resistor: 2.2K Ω : \pm 1%: 1/16W: 1005	123 -289
1655 2209	Resistor - 22 Ω \pm 1% 1/16W	123 -290
1655 2400	Resistor: 240 Ω : \pm 1%: 1/16W: 1005	139 -242
1655 2400	Resistor: 240 Ω : \pm 1%: 1/16W: 1005	135 -236
1655 2402	Resistor - 24K Ω \pm 1% 1/16W	135 -237
1655 2402	Resistor - 24K Ω \pm 1% 1/16W	139 -243
1655 2402	Resistor - 24K Ω \pm 1% 1/16W	145 -252
1655 2552	Resistor: 25.5K Ω : \pm 1%: 1/16W: 1005	123 -291

Part No.	Description	Page and Index No.
1655 3012	Resistor: 30.1K Ω : \pm 1%: 1/16W: 1005	123 -292
1655 3309	Resistor - 33 Ω \pm 1% 1/16W	123 -293
1655 3742	Resistor: 37.4K Ω : \pm 1%: 1/16W: 1005	135 -238
1655 3742	Resistor: 37.4K Ω : \pm 1%: 1/16W: 1005	139 -244
1655 3902	Resistor: 39K Ω : \pm 1%: 1/16W: 1005	145 -253
1655 3909	Resistor 39 Ω \pm 1% 1/16W	123 -294
1655 4700	Resistor - 470 Ω \pm 1% 1/16W	123 -295
1655 4701	Chip Resistor - 4.7K Ω \pm 1%1/16W	145 -254
1655 4701	Chip Resistor - 4.7K Ω \pm 1%1/16W	135 -239
1655 4701	Chip Resistor - 4.7K Ω \pm 1%1/16W	123 -296
1655 4701	Chip Resistor - 4.7K Ω \pm 1%1/16W	139 -245
1655 4702	Chip Resistor: 47K Ω : \pm 1%: 1/16W: 1005	123 -297
1655 4709	Resistor - 47 Ω \pm 1% 1/16W	123 -298
1655 4871	Resistor: 4.87K Ω : \pm 1%: 1/16W: 1005	123 -299
1655 4999	Resistor - 49.9 Ω \pm 1% 1/16W	123 -300
1655 5102	Resistor: 51K Ω : \pm 1%: 1/16W: 1005	123 -301
1655 5103	Resistor: 510K Ω : \pm 1%: 1/16W: 1005	123 -302
1655 5600	Resistor - 560 Ω \pm 1% 1/16W	139 -246
1655 5600	Resistor - 560 Ω \pm 1% 1/16W	135 -240
1655 5600	Resistor - 560 Ω \pm 1% 1/16W	123 -303
1655 5601	Resistor - 5.6K Ω \pm 1% 1/16W	123 -304
1655 5609	Resistor - 56 Ω \pm 1% 1/16W	139 -247
1655 5609	Resistor - 56 Ω \pm 1% 1/16W	123 -305
1655 5621	Resistor - 5.62K Ω \pm 1% 1/16W	145 -255
1655 6809	Chip Resistor - 68 Ω \pm 1%1/16w	123 -306
1655 9101	Resistor - 9.1K Ω \pm 1% 1/16W	123 -307
1660 2101	Capacitor - 100pF - \pm 10% - 50V	123 -308
1660 2120	Capacitor - 12 pF \pm 5% 50V	145 -256
1660 2150	Capacitor - 15pF \pm 5% 50V	145 -257
1660 2330	Capacitor - 33pF - \pm 5% - 50V	145 -258
1660 2470	Capacitor - 47pF \pm 5% 50V	145 -259
1660 2471	Capacitor - 470pF - \pm 5% - 50V	123 -309
1660 2471	Capacitor - 470pF - \pm 5% - 50V	145 -260
1660 4102	Capacitor - 1000pF \pm 10% 50V	145 -261
1660 4103	Capacitor - 10000pF - \pm 10% - 50V	145 -262

Part No.	Description	Page and Index No.
1660 4103	Capacitor - 10000pF - $\pm 10\%$ - 50V	123 -310
1660 4222	Capacitor - 2200pF - $\pm 10\%$ - 50V	139 -248
1660 4222	Capacitor - 2200pF - $\pm 10\%$ - 50V	145 -263
1660 4332	Capacitor - 3300pF - $\pm 10\%$ - 50V	135 -241
1660 4332	Capacitor - 3300pF - $\pm 10\%$ - 50V	139 -249
1660 4472	Capacitor - 4700pF $\pm 10\%$ 50V	145 -264
1660 6103	Capacitor - 10000pF - +80%-20%50V	145 -265
1660 8104	Capacitor - 0.1 μ F +80-20% 25V	145 -266
1660 8104	Capacitor - 0.1 μ F +80-20% 25V	123 -311
1902 0084	SRAM: 4M: x16: TSOP44Type2: 3.3V	135 -242
1902 0084	SRAM: 4M: x16: TSOP44Type2: 3.3V	139 -250
1906 0101	Flash Memory: S29GL032A90TFIR40	135 -243
1906 0101	Flash Memory: S29GL032A90TFIR40	139 -251
1906 0117	Flash Memory: S29GL032A90TFIR20	123 -312
1906 0120	NAND Flash: 1G: x8: 30NS: 3.3V: 2KB	123 -317
1907 0077	DDR512M: 8Mx16x4: 333MHZ: CL2.5G3	123 -313
5203 1852	Bushing - 6x8x4mm	65 - 36
5203 9502	Silicon Grease G-501	153 - 9
5206 2684	Shoulder Screw - M3	89 - 9
5206 2686	Snap Ring	63 - 31
5206 2686	Snap Ring	53 - 36
5206 2686	Snap Ring	33 - 19
5215 2621	Snap Ring - M6	31 - 18
5215 2621	Snap Ring - M6	19 - 6
5442 1924	Exposure Glass Cushion	41 - 10
5447 2681	Snap Ring	33 - 13
5447 2681	Snap Ring	31 - 6
5447 2681	Snap Ring	29 - 3
5447 2681	Snap Ring	25 - 8

Part No.	Description	Page and Index No.
5447 2681	Snap Ring	23 - 2
5447 2681	Snap Ring	97 - 14